

MOTAK



MWC-2Z-1GD

51 Bottles

Dual Zone Wine Cooler Instruction Manual

This manual contains important information regarding your unit. Please read this manual thoroughly prior to equipment set-up, operation, and maintenance. Failure to comply with regular maintenance guidelines outlined in this manual may void the warranty.

IMPORTANT SAFEGUARDS

Please pay close attention to the safety notices in this section. Disregarding these notices may lead to serious injury and/or damage to the unit.



WARNING

DANGER:

- Risk of fire or explosion.
- Flammable refrigerant R600A used.
- **DO NOT** puncture refrigerant tubing.
- **DO NOT** use mechanical devices to defrost refrigerator.
- **DO NOT** pierce or burn.
- **DO NOT** store in a room with continuously operating ignition sources (for example: open flames, an operating gas appliance or an operating electric heater).
- To be repaired only by trained service personnel.

ATTENTION

- This appliance is not intended for use by persons (including children) whose physical, sensory or mental capabilities may be different or reduced, or who lack experience or knowledge, unless such persons receive supervision or training to operate the appliance by a person responsible for their safety.
- This appliance is intended to be used in household and similar applications such as:
 - * Staff kitchen areas in shops, offices and other working environments;
 - * Farm houses and by clients in hotels, motels and other residential type environments;
 - * Bed and breakfast type environments;
 - * Catering and similar non-retail applications.
- **DO NOT** allow children to play with unit.
- **DO NOT** leave children unattended with unit, adult supervision required.
- **DO NOT** use this unit for anything other than intended use
- **DO NOT** overload outlet, to minimize shock and fire hazards
- **DO NOT** spray the unit with water
- **DO NOT** attempt to remove or repair any component.
- **DO NOT** attempt to alter or tamper with the electrical cord.
 - * If the power supply cord is damaged, it must be replaced by the manufacturer or its service agent or a similarly qualified person in order to avoid a hazard.
- **DO NOT** rest unit on or against the electrical cord or plug.
- **DO NOT** damage the refrigerant circuit.
- **WARNING:** Do not use electrical appliances inside the food storage compartments of the appliance, unless they are of the type recommended by the manufacturer.
- **DO NOT** store any flammable and explosive gas or liquids inside the unit.
- **WARNING:** Keep ventilation openings, in the appliance enclosure or in the built-in structure, clear of obstruction. The appliance shall be stored in a well-ventilated area where the room size corresponds to the room area as specified for operation.
- The appliance shall be stored so as to prevent mechanical damage from occurring.
- **DO NOT** plug or unplug the cord with wet hands, to minimize shock and fire hazards
- **ALWAYS UNPLUG UNIT BEFORE** maintenance and cleaning.
- When the unit will not be in use for a long period of time, disconnect the power first, then clean it.
- **DO NOT** defrost the appliance with other electric appliances (for example, a hair dryer)
- **NEVER** attempt to scrape/remove ice/frost with sharp objects.

MOTAK

BEFORE USE

- **BEFORE** connecting the appliance to electrical power supply, leave unit to stand for about 6 hours, to reduce the possibility of malfunctions in the cooling system due to transport handling.
- Remove interior and exterior packaging prior to installation.
- Wipe the outside of the appliance with a soft, dry cloth and the inside with a lukewarm wet cloth.

PROPER GROUNDING REQUIRED

- To minimize shock and fire hazards, make sure that the unit is properly grounded.
 - * In the event of a malfunction or breakdown, grounding reduces the risk of electric shock by providing a path of least resistance for electric current.
- This appliance has a cord that has a grounding wire with a 3-prong plug. The power cord must be plugged into an outlet that is properly grounded. If the outlet is a 2-prong wall outlet, it must be replaced with a properly grounded 3-prong wall outlet. The serial rating plate indicates the voltage and frequency the appliance is designed for.
- **WARNING** - Improper use of the grounding plug can result in a risk of electric shock.
 - * Consult a qualified electrician or service agent if the grounding instructions are not completely understood, or if doubt exists as to whether the appliance is properly grounded.
- **DO NOT** connect your appliance to extension cords or together with another appliance in the same wall outlet.
- **DO NOT** splice the power cord.
- **DO NOT** under any circumstances cut or remove the third ground prong from the power cord.
- **DO NOT** use extension cords or ungrounded (two prongs) adapters.
- Necessity to allow disconnection of the appliance from the supply after installation. The disconnection may be achieved by having the plug accessible or by incorporating a switch in the fixed wiring in accordance with the wiring rules.

DISPOSAL

- This appliance may not be treated as regular household waste, it should be taken to the appropriate waste collection point for recycling of electrical components. Dispose of properly in accordance with Federal or local regulations.
- Refer to local regulations regarding disposal of the appliance for its flammable gas.
- **DANGER:** Risk of child entrapment. Before throwing away an old appliance:
 - * Remove the door or lid so that children are not trapped inside.
 - * Leave shelves in place so that children may not easily climb inside.
 - * Disable door lock (if the appliance is equipped with a door lock).
 - * Do not add a lock to the door or lid.
- The cooling system of the appliance is filled with refrigerant and insulating substances which should be separately treated and processed.
 - * Call your nearest authorized service agent. If you are unable to locate one, contact your local authorities or your distributor.
 - * Be careful not to damage the tubes on the rear wall of the appliance (danger of pollution).

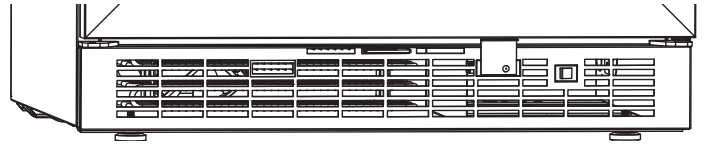
PLACEMENT

- Two people should be used when moving the appliance.
- Place the appliance on a floor that is strong enough to support it when it is fully loaded.
- **DO NOT** place the appliance in direct sunlight or near sources of heat, such as a stove or heater, as this can increase electrical consumption.
 - * Extreme cold ambient temperatures may also cause the appliance to perform improperly.
- **DO NOT** use the appliance near water, for example in a wet basement or near a sink.
- This appliance is intended for household use only. It is not designed for outside installation, including anywhere that is not temperature controlled (garages, porches, vehicles, etc.).

MOTAK

FRONT VENT

- This appliance is front breathing.
- **DO NOT** block the front air vent as this will result in high operating temperatures, higher energy usage, possible system overheating and failure.

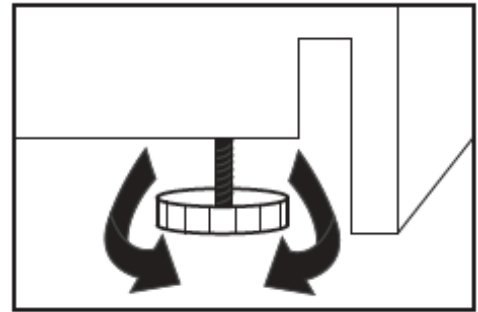


LEVELING INSTRUCTIONS

- There is an adjustable leg on the bottom of the appliance that can be turned up or down to ensure that the appliance is level. It is important that the appliance is level to minimize noise and vibration.

To level the appliance:

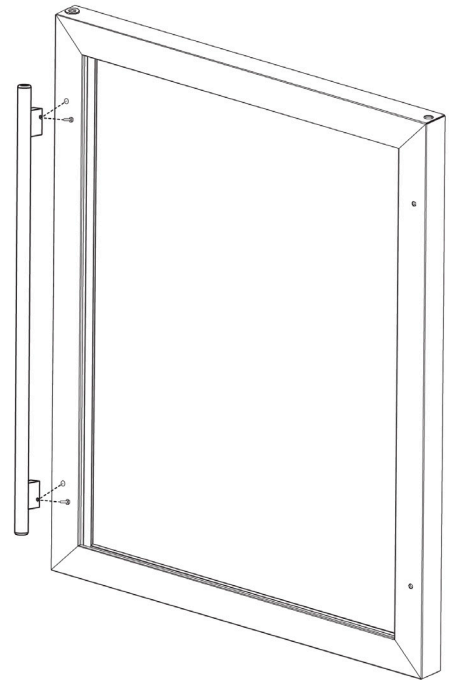
1. Move the appliance to its final location.
2. Turn the leveling leg counter-clockwise as far as it will go, until the top of the foot is touching the bottom of the chassis.
3. Slowly turn the leveling leg clockwise until the appliance is level.



HANDLE INSTALLATION

The appliance ships with the handle inside the cabinet to protect it from damage. It must be installed by the end user.

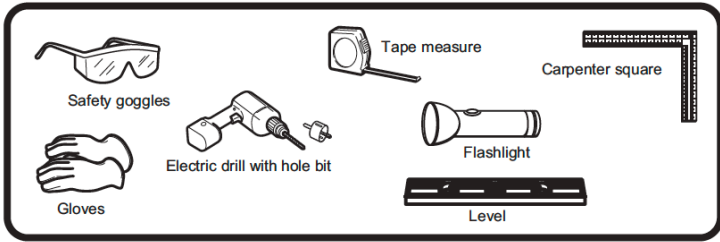
1. Align the handle in front of the screw hole openings.
2. Tighten the screws in the side of the handle until snug.



MOTAK

INSTALLATION INSTRUCTIONS

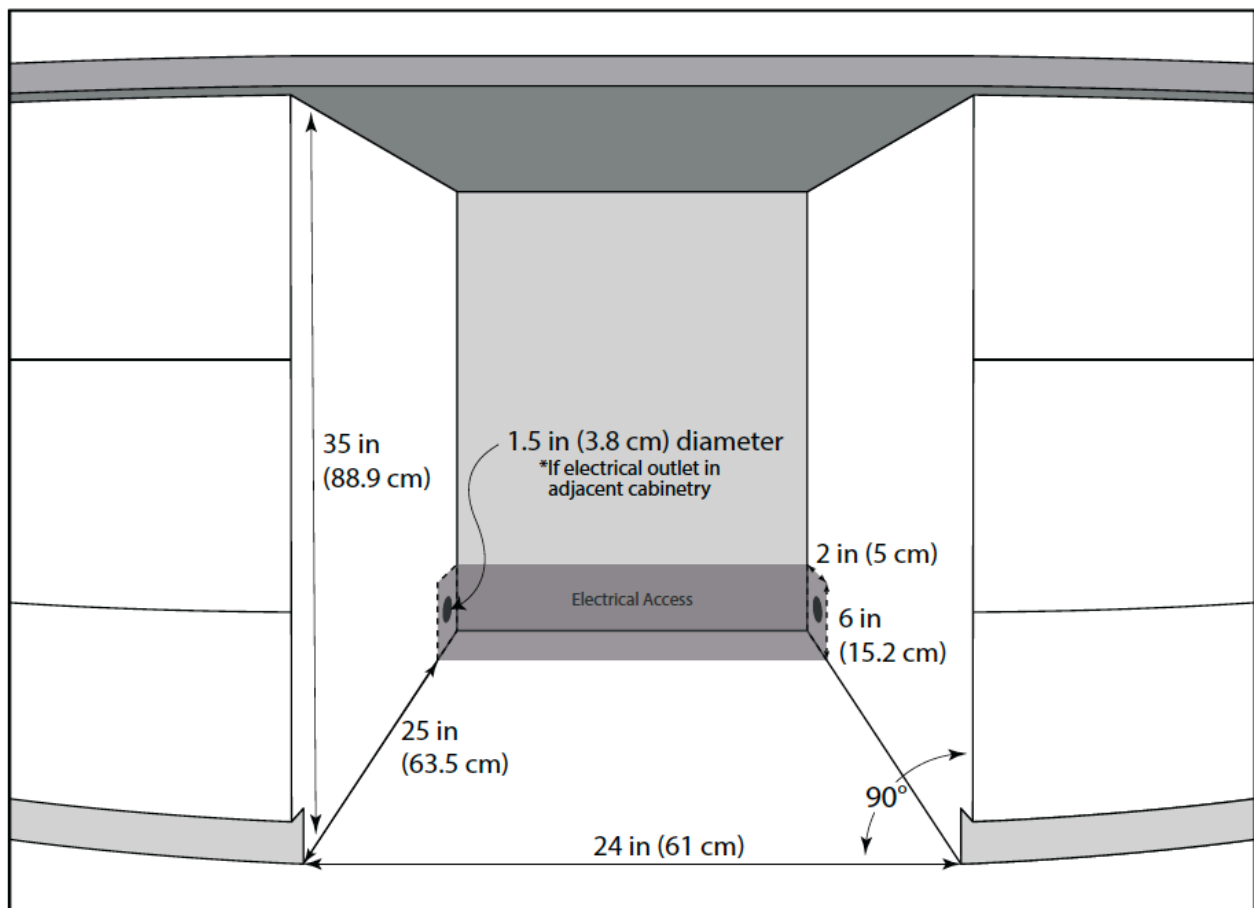
REQUIRED TOOLS



- Safety goggles
- Gloves
- Tape measure
- Carpenter Square
- Level
- Flashlight
- Electric drill with hole bit

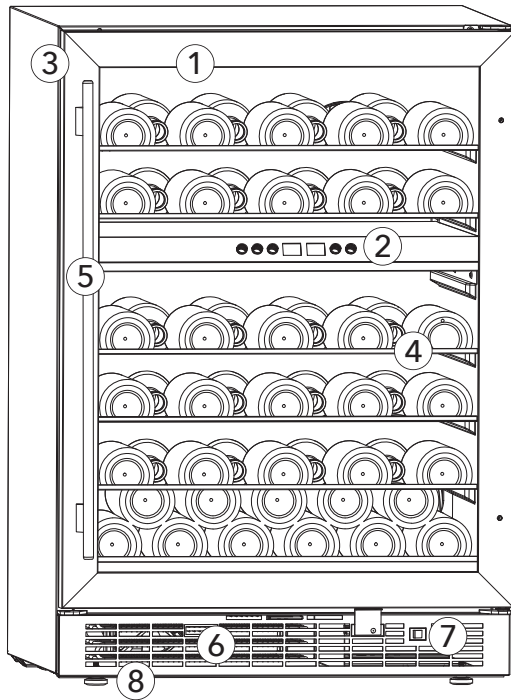
PREPARING THE ENCLOSURE

- Gloves and safety goggles should be worn during installation.
- It is not recommended to install the appliance into a corner or directly beside a wall.
- The door will need to be opened more than 90° to allow full extension of the shelves.
- If it is necessary to place the unit next to a wall or in a corner, leave at least 2-4 inches (5- 10 cm) of space between the wall and the appliance to allow for the door opening.
- The cabinet opening must be at least 24 inches (61 cm) wide by 35 inches (88.9 cm) high by 25 inches (63.5 cm) deep.
 - * Note: The listed depth requirement is assuming that the electrical outlet is located in the adjacent cabinetry or flush mounted in the rear wall, not surface mounted inside the enclosure.
 - * If the electrical outlet is located inside adjacent cabinetry, cut a 1.5 inch (3.8 cm) diameter hole to admit the power cord.
 - * If the cabinet wall is metal, the hole edge must be covered with a bushing or grommet.



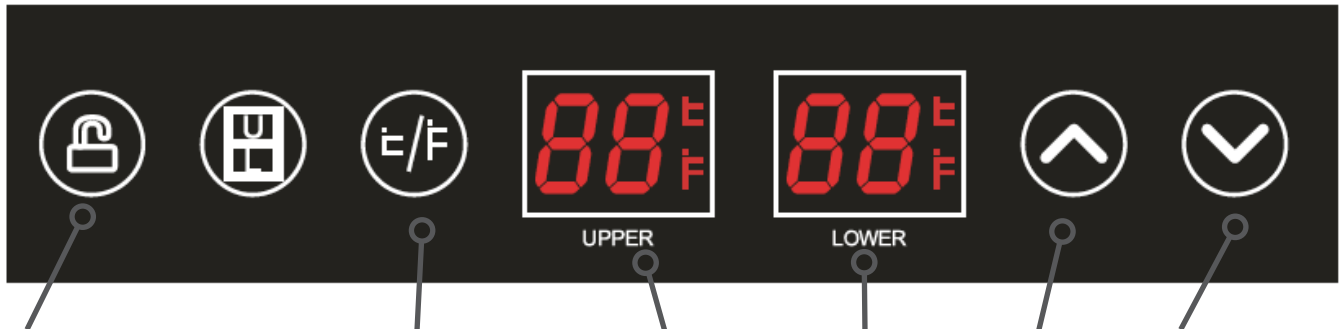
MOTAK

PRODUCT DIAGRAM AND FEATURES



1. **Low-E Glass Door**
Low-E glass used to reflect and absorb heat.
2. **Electronic Display and Controls**
For viewing and regulating the temperature of the wine cooler.
3. **Magnetic Door Gaskets**
Tight fitting seals retain all the cooling power and humidity levels.
4. **Wire Shelves**
5. **Handle**
6. **Front Mounted Exhaust**
Allows for integrated (built-in) applications.
7. **Light Switch**
Allows for constant illumination of the interior of the appliance.
8. **Leveling Legs**
Adjust to level the appliance.
9. (Not Pictured) **Interior Light**
Blue LED lighting illuminates the interior without the heat of an incandescent bulb.

CONTROL PANEL



Lock Button: Press and hold for 3 seconds to lock the control panel. No buttons can be pressed while the control panel is locked. Press and hold the lock button for 3 seconds to unlock the control panel.

°C / °F Button: Press to change the temperature display between °C and °F.

Upper and Lower Temperature Display: Shows the set temperature.

Up and Down Buttons: Used to increase or decrease the set temperature in 1° increments.

FUNCTION INSTRUCTION

- The default temperature setting is 54°F (12°C).
- The default temperature scale is °F.
- Press the °C / °F button to change the temperature scale.
- The temperature can be set from 39°F (4°C) to 64°F (18°C).
- Actual temperature inside the appliance can vary based on ambient temperature, how often the door is opened and how many warm bottles have recently been added to the appliance.

MOTAK

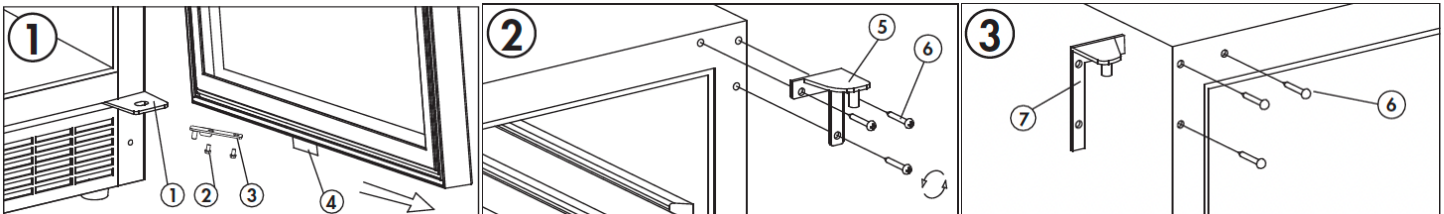
INTERIOR LIGHT

- The interior light will default to turning on and off when the door is opened or closed.
- The light switch can be used to set the light to constant illumination when the door is both open and closed.
- If the door is open for more than 10 minutes, the interior light will automatically turn off.

DOOR REVERSAL INSTRUCTIONS

- * If the appliance is placed on its back or side for any length of time it must be allowed to remain upright for 6 hours before plugging in to avoid damage to internal components.
- * **Note:** Before tightening the screws to secure the hinge axis, ensure that the top of the door is level with the top of the cabinet, that the actuator on the bottom of the door is making contact with the switch on the cabinet and that the rubber gasket is making a good seal with the cabinet all the way around.

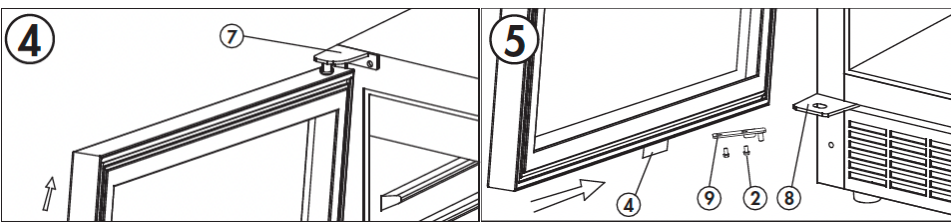
PARTS LEGEND	
1 Lower Right Hinge	6 Hinge screws
2 Axis Screws	7 Upper left hinge
3 Right Hinge Axis	8 Lower left hinge
4 Actuator	9 Left hinge axis
5 Upper right hinge	



Remove the two screws that secure the right hinge axis to the lower right hinge. Slide the door outward from the bottom to remove it from the upper right hinge.

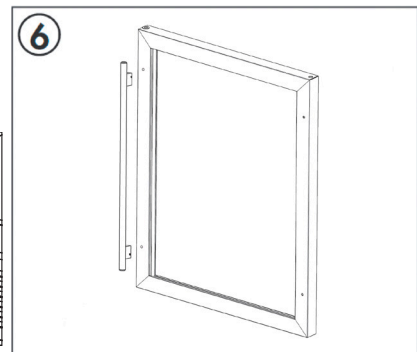
Remove the upper right hinge from the cabinet.

Remove the screw hole covers from the upper left side of the cabinet and install the upper left hinge. Place the screw hole covers in the screw holes on the upper right side of the cabinet.



Remove the hinge hole cover from the upper left side of the door and place it in the hinge hole on the upper right side of the door. Install the door on the upper left hinge.

Slide the bottom of the door toward the unit to line it up with the lower left hinge. Install the left hinge axis to secure the door to the lower left hinge.



Loosen the screw on the side of the handle using the provided hexagon spanner. Remove the handle. Install the handle on the right side of the door using the same screws.

MOTAK

STORAGE INSTRUCTIONS

- The maximum capacity of this appliance is 51 (750 ml) wine bottles.
- In order to achieve the maximum storage capacity, the bottles should be positioned alternately head-to-tail.

DEFROST

- This unit is equipped with an automatic defrost function and does not require manual defrosting.
- Defrost water from the appliance is channeled into a drip tray located above the compressor.
- Heat transfer from the compressor causes the defrost water to evaporate.

POWER FAILURE

- Most power failures are corrected within a few hours and should not affect the temperature of your appliance if you minimize the number of times the door is opened. If the power is going to be off for a longer period of time, take the proper steps to protect your contents.
 - * Note: Wait 3 to 5 minutes before attempting to restart the appliance if operation has been interrupted.

VACATION

- Short vacations: Leave the appliance operating during vacations of less than three weeks.
- Long vacations: If the appliance will not be used for several months, remove all items and turn off the appliance. Clean and dry the interior thoroughly. To prevent odor and mold growth, leave the door open slightly, blocking it open if necessary.

CLEANING

- Ensure the appliance is unplugged before cleaning.
- Clean the inside with a soft cloth and a solution of a tablespoon of baking soda to one quart of water or a mild soap solution or some mild detergent.
- Wash removable shelves in a mild detergent solution, then dry and wipe with a soft cloth.
- Clean the outside with a soft, damp cloth and some mild detergent.
- It is important to keep the area clean where the door seals against the cabinet. Clean this area with a soapy cloth. Rinse with a damp cloth and let dry.
- Note: **DO NOT** use cleaners containing ammonia or alcohol on the appliance. Ammonia or alcohol can damage the appearance of the appliance. Never use any commercial or abrasive cleaners or sharp objects on any part of the appliance.

MOVING

1. Make sure the appliance is empty.
2. Secure the shelves with tape.
3. Secure the door with tape.
4. Turn the adjustable foot up to the base to avoid damage.
5. Protect the outside of the appliance with a blanket or similar item.
6. Be sure the appliance stays in the upright position during transportation.
7. If the appliance is placed on its back or side during transportation, upon reaching the destination, allow it to remain upright for 6 hours before plugging in to avoid damage to internal components.

MOTAK

TROUBLE SHOOTING

- Before requesting any service on your unit, please check the following points. Please note that this guide serves only as a reference for solutions to common problems.

ISSUE	POSSIBLE CAUSE
No power	<ul style="list-style-type: none"> • A fuse may be blown or the circuit breaker tripped • Plug not fully inserted into the wall outlet
Internal temperature not cold enough Appliance runs continuously	<ul style="list-style-type: none"> • Door is not shut properly or opened excessively • Exhaust vent is obstructed • Recently added a large quantity of warm bottles to the cabinet • Close proximity to heat source or direct sunlight • Ambient temperature or humidity is very high • Possible system leak, evaporator fan failure or compressor failure
Condensation on the cabinet or door	<ul style="list-style-type: none"> • Door is not shut properly or opened excessively • Ambient temperature or humidity is very high

ERROR CODES	
C0	Control system communication fault
E1	Interior sensor fault
E2	Defrost sensor fault
dr	Door is open for more than 1 minute
EH	Internal temperature is 8 degrees higher than the set temperature for more than 30 minutes
EL	Internal temperature is 8 degrees lower than the set temperature for more than 30 minutes

- If error codes appear on the display for more than 5 minutes, a power reset may rectify the issue. Unplug the appliance, wait 5 minutes and then plug the appliance back in.
- If the error code persists after a power reset, contact consumer care or an authorized service agent.

MOTAK

MOTAK