

MoTak Single Zone Wine Cooler, 17 Bottle Capacity, in Black

MWC-1Z-1GD-1



Designed for professionals who know the value of proper wine storage, the MoTak Single Zone Wine Cooler offers the perfect blend of style, consistency, and performance. With a single temperature zone and precision digital controls, it keeps your red or white wines at the optimal serving temperature—ideal for front-of-house displays or back-of-bar storage. Sleek and sophisticated, this commercial wine cooler offers 1.8 cubic feet of storage, enough to accommodate 17 bottles. Equipped with a powerful compressor for efficient cooling, this wine merchandiser features a single zone temperature range of 43° to 57°F, ideal for storing wine.

FEATURES AND CONSTRUCTION

- Offers 1.8 cu ft capacity for storing up to 17 wine bottles
- Equipped with a powerful compressor for efficient cooling
- Constructed of plastic and glass
- Single zone temperature range of 43° to 57°F is ideal for storing wine
- Utilizes R600a refrigerant
- Operates on 115V with a NEMA-5-15P plug for convenience
- Includes 4 shelves to accommodate various wine bottles
- Equipped with sturdy legs for stable freestanding use
- Interior lighting illuminates your bottles to enhance their appeal
- Freestanding installation allows for versatile placement
- Glass door with reversible door swing orientation

ELECTRIC

115V / 60Hz / 1Ph

Cord Length (Inches): 63

Plug Type: NEMA 5-15P

Cord set included

NEMA 5-15P



3RD PARTY APPROVALS



WARRANTY (USA / CANADA)

STORAGE CAPACITY

- Cubic Feet: 1.8 cu. ft.
- (17) Wine Bottles

TEMPERATURE

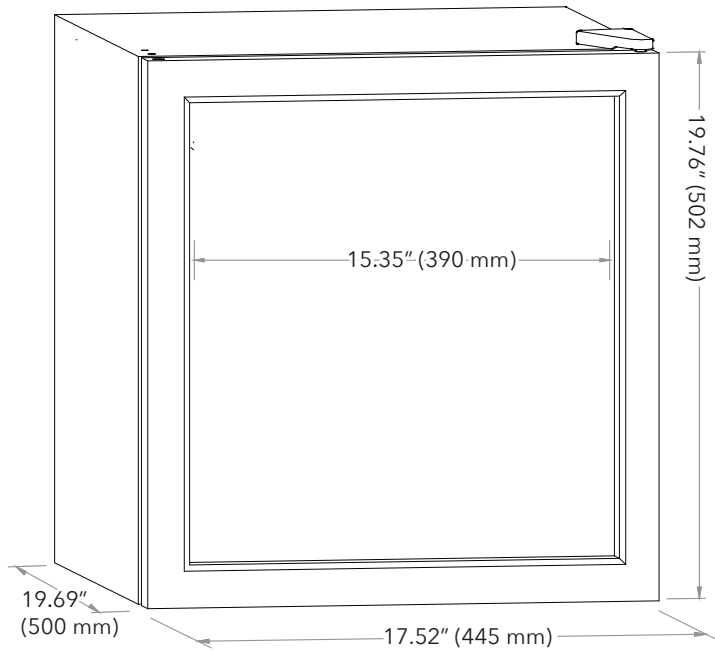
- Holding Temperature (Fahrenheit): 43 - 57

These models are designed to operate in an environment where temperature and humidity do not exceed 75°F (24°C) and 55% relative humidity.

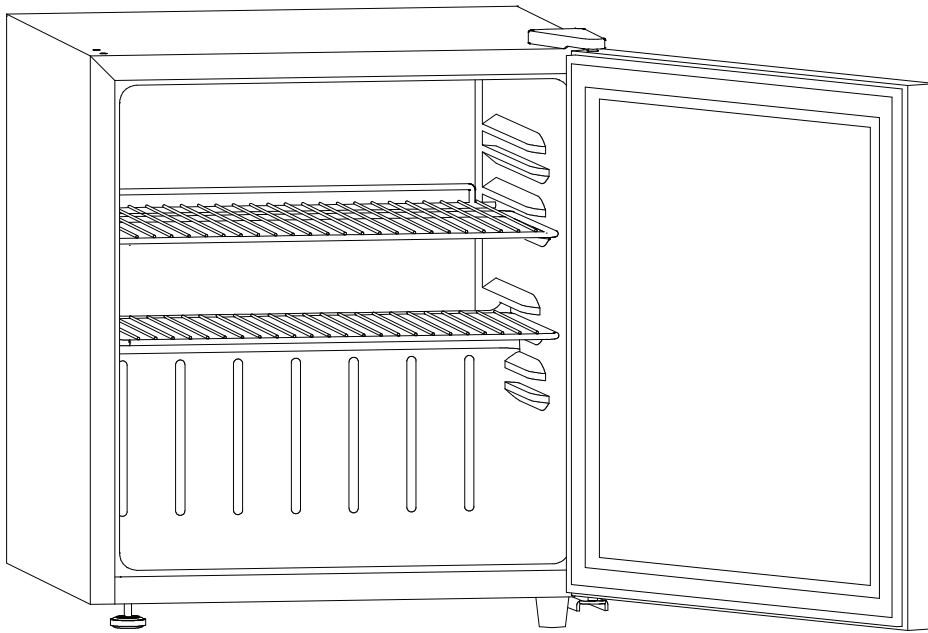
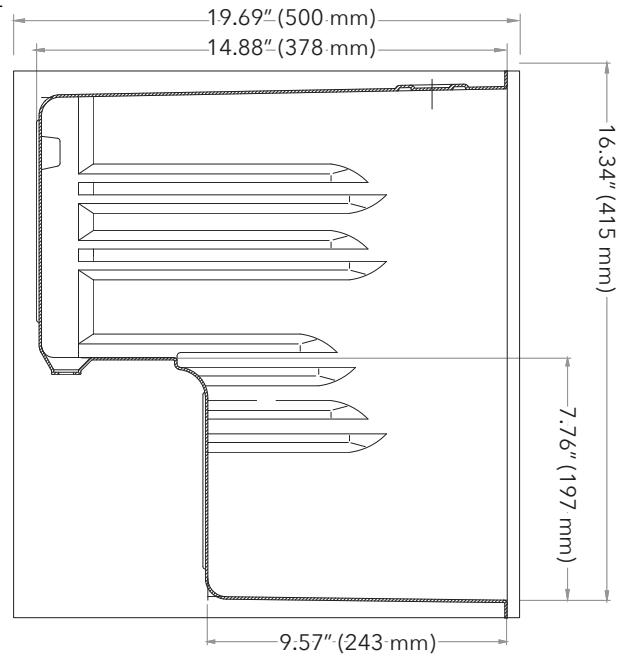
MOTAK MoTak Single Zone Wine Cooler

MWC-1Z-1GD-1

FRONT



SIDE



Wine Cooler

Temperature Zone	Shelves / Racks	Bottle Capacity	Amps	Refrigerant Type / Oz.	Assembled Dimensions (L x W x H in)	Item Weight (lbs)	Shipping Weight (lbs)
1	4	(17) Wine Bottles	1.3	R600a 0.70	19.69" x 17.52" x 19.76"	39.7	44.5

Due to periodic changes in designs, methods, procedures, policies and regulations, the specifications contained in this document are subject to change without notice. While we exercise good faith efforts to provide information that is accurate, we are not responsible for errors or omissions in information provided or conclusions reached as a result of using the specifications. By using the information provided, the user assumes all risks in connection with such use.