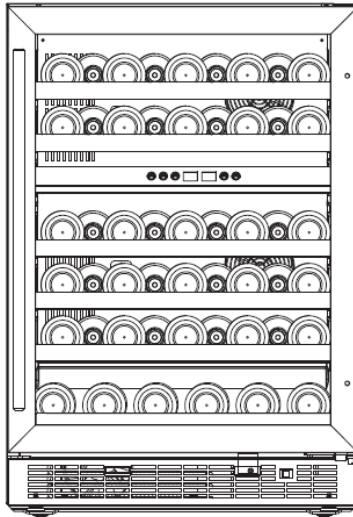




# WINE COOLER USER'S MANUAL

---

**MODEL: MXW-170WE-A**



Please read this user's manual thoroughly before using this wine cooler. Keep this manual handy for further reference.



## Important Safety Information

### READ AND FOLLOW ALL SAFETY INSTRUCTIONS

#### SAFETY REQUIREMENTS

**DANGER:** Risk of fire or explosion. Flammable refrigerant used. Do not puncture refrigerant tubing.

- Do not use mechanical devices to defrost refrigerator.
- Ensure that servicing is done by factory authorized service personnel, to minimize product damage or safety issues.
- If the power supply cord is damaged, it must be replaced by the manufacturer, its service agent or similar qualified person to avoid hazards.
- Consult repair manual or owner's guide before attempting to service this product. All safety precautions must be followed.
- Dispose of properly in accordance with federal or local regulations.
- Follow handling instructions carefully.
- Do not store explosive substances such as aerosol cans with a flammable propellant in this appliance.

**WARNING:** Keep ventilation openings, in the appliance enclosure or in the built-in structure, clear of obstruction.

**WARNING:** Do not use mechanical devices or other means to accelerate the defrosting process, other than those recommended by the manufacturer.

**WARNING:** Do not damage the refrigerant circuit.

**WARNING:** Do not use electrical appliances inside the food storage compartments of the appliance, unless they are of the type recommended by the manufacturer.

**CAUTION:** Children should be supervised to ensure that they do not play with the appliance.

**DANGER:** Risk of child entrapment. Before throwing away an old appliance:

- Remove the door or lid.
- Leave shelves in place so that children may not easily climb inside.

**DANGER:** Do not add a lock to the door or lid. This can cause child entrapment and harm.

#### SAFETY REQUIREMENTS

This appliance must not be used by children or people with reduced physical, sensory or mental capabilities or lack of experience and knowledge unless they have been given supervision and instruction concerning use of the appliance in a safe way and understand the hazards involved. Children shall not play with the appliance. Cleaning and user maintenance shall not be made by children without supervision

#### GROUNDING INSTRUCTIONS

This appliance must be grounded. Grounding reduces the risk of electrical shock by providing an escape wire for the electrical current.

This appliance has a cord that has a grounding wire with a 3-prong plug. The power cord must be plugged into an outlet that is properly grounded. If the outlet is a 2-prong wall outlet, it must be replaced with a properly grounded 3-prong wall outlet. The serial rating plate indicates the voltage and frequency the appliance is designed for.

**WARNING -** Improper use of the grounding plug can result in a risk of electric shock. Consult a qualified electrician or service agent if the grounding instructions are not completely understood, or if doubt exists as to whether the appliance is properly grounded.

**Do not connect your appliance to extension cords or together with another appliance in the same wall outlet.** Do not splice the power cord. Do not under any circumstances cut or remove the third ground prong from the power cord. Do not use extension cords or ungrounded (two prongs) adapters.

It is Necessary to allow disconnecting of the appliance from the supply after installation. The disconnection may be achieved by having the plug accessible or by incorporating a switch in the fixed wiring in accordance with the wiring rules.

**SAVE THESE INSTRUCTIONS!**

# INSTALLATION INSTRUCTIONS

## SAFETY REQUIREMENTS

**WARNING:** When positioning the appliance, ensure the supply cord is not trapped or damaged.

**WARNING:** Do not locate multiple portable socket -outlets or portable power supplies at the rear of the appliance.

To avoid contamination of food, please respect the following instructions

- Opening the door for long periods can cause a significant increase of the temperature in the compartments of the appliance.
- Regularly clean surfaces that contact food and accessible drainage systems.
- If the wine cooler is left empty for long periods, switch off, defrost, clean, dry, and leave the door open to prevent mold developing within the appliance.



Warning; Risk of fire / flammable materials

Wine Coolers contain refrigerant and gases in the insulation. Refrigerant and gases must be disposed of professionally as they may cause eye injuries or ignition. Ensure that tubing of the refrigerant circuit is not damaged prior to proper disposal.

Ambient temperature - This wine cooler is intended to be used at ambient temperatures ranging from 10°C to 32 °C.

**This appliance is intended to be used exclusively for the storage of wine.**

**This refrigerating appliance is not intended to be used as a built-in appliance**

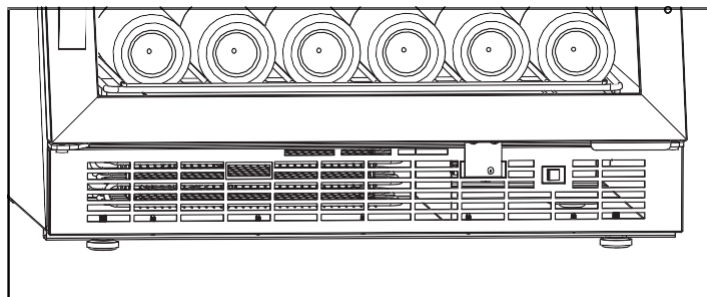
**This refrigerating appliance is not suitable for freezing foodstuffs**

## LOCATION

- Two people should be used when moving the appliance.
- Remove interior and exterior packaging prior to installation. Wipe the outside of the appliance with a soft, dry cloth and the inside with a lukewarm wet cloth.
- Place the appliance on a floor that is strong enough to support it when it is fully loaded.
- Do not place the appliance in direct sunlight or near sources of heat, such as a stove or heater, as this can increase electrical consumption. Extreme cold ambient temperatures may also cause the appliance to perform improperly.
- Do not use the appliance near water, for example in a wet basement or near a sink.
- This appliance is intended for indoor use only. It is not designed for outside installation, including anywhere that is not temperature controlled (garages, porches, vehicles, etc.).
- Before connecting the appliance to a power source, let it stand upright for approximately 6 hours. This will reduce the possibility of a malfunction in the cooling system from handling during transportation.
- This appliance is 23.8 inches (60.5 cm) wide, 34.7 inches (88.2 cm) high at maximum leg height and 25.4 inches (64.5 cm) deep including the handle.

## FRONT VENT

This appliance is front breathing. Do not block the front air vent as this will result in high operating temperatures, higher energy usage and possible system overheating and failure.

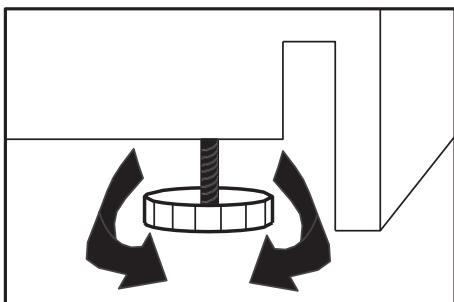


# INSTALLATION INSTRUCTIONS

## LEVELING INSTRUCTIONS

There is an adjustable leg on the bottom of the appliance that can be turned up or down to ensure that the appliance is level. It is important that the appliance is level to minimize noise and vibration. To level the appliance:

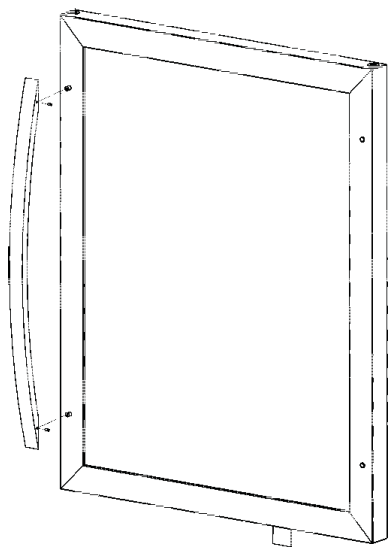
1. Move the appliance to its final location.
2. Turn the leveling leg counter-clockwise as far as it will go, until the top of the foot is touching the bottom of the chassis.
3. Slowly turn the leveling leg clockwise until the appliance is level.



## HANDLE INSTALLATION

The appliance ships with the handle inside the cabinet to protect it from damage. It must be installed by the end user.

1. Position the handle onto the column on the door.
2. Tighten the screws in the side of the handle until snug.



## PREPARING THE ENCLOSURE

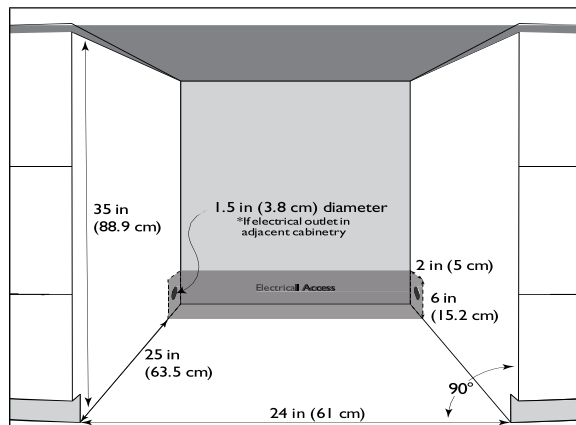
Gloves and safety goggles should be worn during installation.

It is not recommended to install the appliance into a corner or directly beside a wall. The door will need to be opened more than 90° to allow full extension of the shelves. If it is necessary to place the unit next to a wall or in a corner, leave at least 2-4 inches (5-10 cm) of space between the wall and the appliance to allow for the door opening.

The cabinet opening must be at least 24 inches (61 cm) wide by 35 inches (88.9 cm) high by 25 inches (63.5 cm) deep.

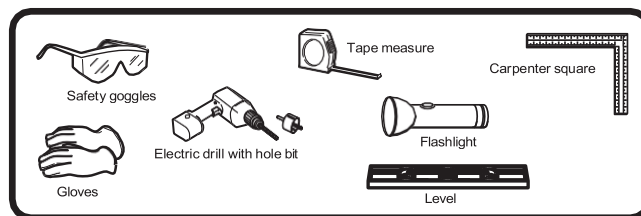
**Note:** The listed depth requirement is assuming that the electrical outlet is in the adjacent cabinetry or flush mounted in the rear wall, not surface mounted inside the enclosure.

If the electrical outlet is located inside adjacent cabinetry, cut a 1.5-inch (3.8 cm) diameter hole to admit the power cord. If the cabinet wall is metal, the hole edge must be covered with a bushing or grommet.



## REQUIRED TOOLS

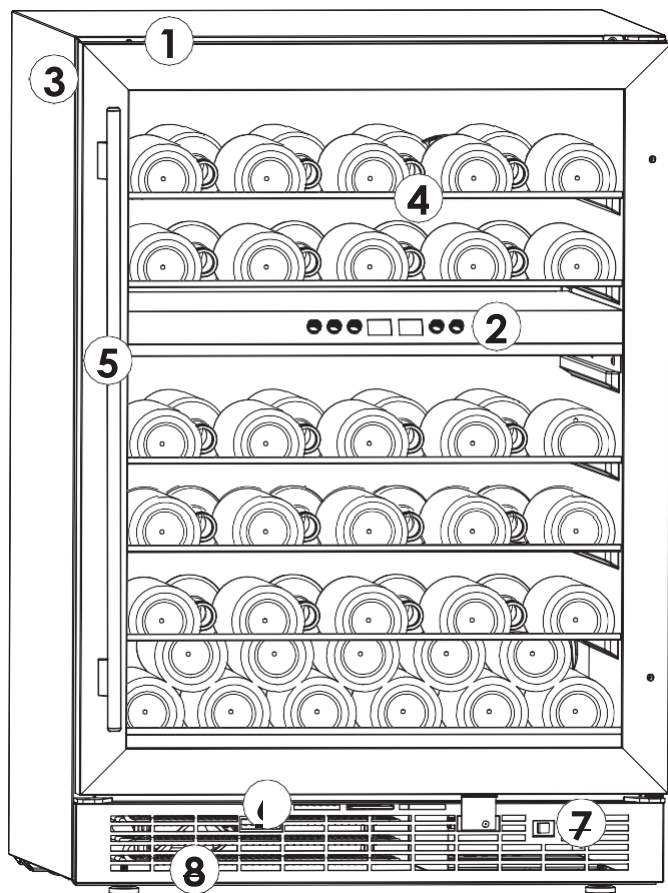
- Safety goggles
- Gloves
- Tape measure
- Carpenter Square
- Level
- Flashlight
- Electric drill with hole bit



# OPERATING INSTRUCTIONS

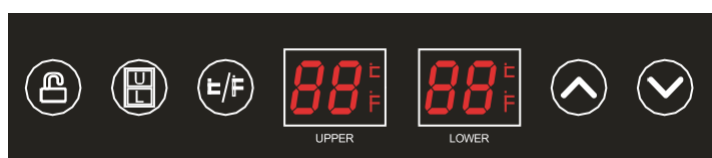
## FEATURES

- 1. Low-E Glass Door:** Low-E glass is used to reflect and absorb heat.
- 2. Electronic Display and Controls:** For viewing and regulating the temperature of the wine cooler.
- 3. Magnetic Door Gaskets:** Tight fitting seals retain all the cooling power and humidity levels.
- 4. Wire Shelves**
- 5. Handle**
- 6. Front Mounted Exhaust:** Allows for integrated (recessed) applications.
- 7. Light Switch:** Allows for constant illumination of the interior of the appliance.
- 8. Leveling Legs:** Adjust to level the appliance.
- 9. Interior Light** (not shown): Blue LED lighting illuminates the interior without the heat of an incandescent bulb.




## CONTROL PANEL

- 1. Lock Button:** Press and hold for 3 seconds to lock the control panel. No buttons can be pressed while the control panel is locked. Press and hold the lock button for 3 seconds to unlock the control panel.
- 2. °C / °F Button:** Press to change the temperature display between °C and °F.
- 3. Temperature Display:** Shows the set temperature.
- 4. Up and Down Buttons:** Used to increase or decrease the set temperature in 1° increments.



## FUNCTION INSTRUCTION

The default temperature setting is 54°F (12°C). The default temperature scale is °C. Press the °C / °F button to change the temperature scale.

Press the  button to switch between the upper and lower temperature settings. The default setting is the upper temperature.

The temperature can be set as low as 39°F (4°C) or as high as 64°F (18°C)

Actual temperature inside the appliance can vary based on ambient temperature, how often the door is opened and how many warm bottles have recently been added to the appliance.

## INTERIOR LIGHT

The interior light will default to turning on and off when the door is opened or closed.

The light switch can be used to set the light to constant illumination when the door is both open and closed.

If the door is open for more than 10 minutes, the interior light will automatically turn off.

# OPERATING INSTRUCTIONS

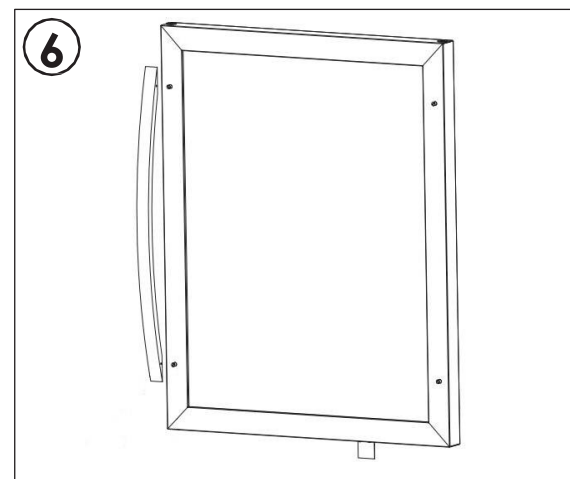
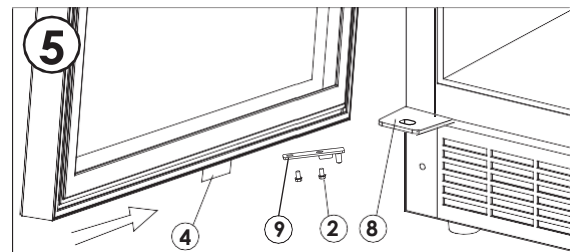
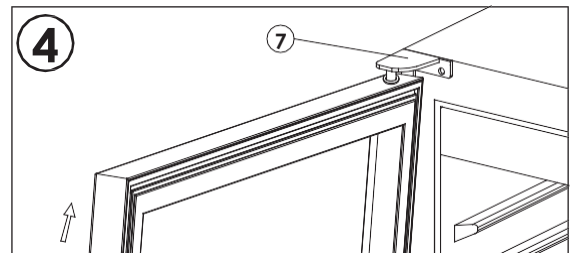
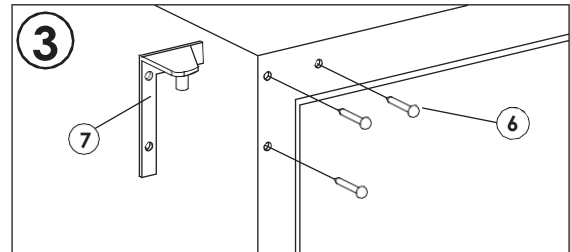
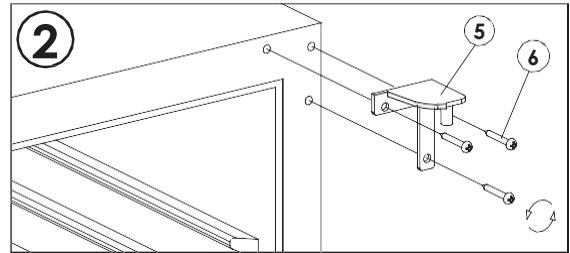
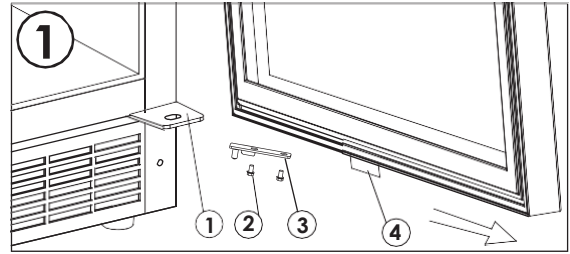
## DOOR REVERSAL INSTRUCTIONS

If the appliance is placed on its back or side for any length of time it must be allowed to remain upright for 6 hours before plugging in to avoid damage to internal components.

1. Remove the two screws that secure the right hinge axis to the lower right hinge. Slide the door outward from the bottom to remove it from the upper right hinge.
2. Remove the upper right hinge from the cabinet.
3. Remove the screw hole covers from the upper left side of the cabinet and install the upper left hinge. Place the screw hole covers in the screw holes on the upper right side of the cabinet.
4. Remove the hinge hole cover from the upper left side of the door and place it in the hinge hole on the upper right side of the door. Install the door on the upper left hinge.
5. Slide the bottom of the door toward the unit to line it up with the lower left hinge. Install the left hinge axis to secure the door to the lower left hinge.
6. Loosen the screw on the side of the handle using the provided hexagon spanner. Remove the handle. Install the handle on the right side of the door using the same screws.

**Note:** Before tightening the screws to secure the hinge axis, ensure that the top of the door is level with the top of the cabinet, that the actuator on the bottom of the door is making contact with the switch on the cabinet and that the rubber gasket is making a good seal with the cabinet all the way around.

- |   |
|---|
| <ol style="list-style-type: none"><li>1. Lower right hinge</li><li>2. Axis screws</li><li>3. Right hinge axis</li><li>4. Actuator</li><li>5. Upper right hinge</li><li>6. Hinge screws</li><li>7. Upper left hinge</li><li>8. Lower left hinge</li><li>9. Left hinge axis</li></ol> |
|---|



## OPERATING INSTRUCTIONS

### STORAGE INSTRUCTIONS

The maximum capacity of this appliance is 60 (750 ml) wine bottles. In order to achieve the maximum storage capacity of 60 bottles:

It will be necessary to position the bottles alternately head-to-tail. This will allow for the storage of nine 750ml bottles on each shelf and six bottles on the bottom for a total storage capacity of 27 wine bottles.

### DEFROST

This unit is equipped with an automatic defrost function and does not require manual defrosting. Defrost water from the appliance is channeled into a drip tray located above the compressor. Heat transfer from the compressor causes the defrost water to evaporate.

### POWER FAILURE

Most power failures are corrected within a few hours and should not affect the temperature of your appliance if you minimize the number of times the door is opened. If the power is going to be off for a longer period, take the proper steps to protect your contents.

**Note:** Wait 3 to 5 minutes before attempting to restart the appliance if operation has been interrupted.

### VACATION

- **Short vacations:** Leave the appliance operating during vacations of less than three weeks.
- **Long vacations:** If the appliance will not be used for several months, remove all items and turn off the appliance. Clean and dry the interior thoroughly. To prevent odor and mold growth, leave the door open slightly, blocking it open if necessary.

## CARE & MAINTENANCE

### CLEANING

Ensure the appliance is unplugged before cleaning.

- To clean the inside of the appliance, use a soft cloth and a solution of a tablespoon of baking soda to one quart of water or a mild soap solution or some mild detergent.
- Wash removable shelves in a mild detergent solution, then dry and wipe with a soft cloth.
- Clean the outside with a soft, damp cloth and some mild detergent.
- It is important to keep the area clean where the door is sealed against the cabinet. Clean this area with a soapy cloth. Rinse with a damp cloth and let it dry.

**Note:** Do not use cleaners containing ammonia or alcohol on the appliance. Ammonia or alcohol can damage the appearance of the appliance. Never use any commercial or abrasive cleaners or sharp objects on any part of the appliance.

### MOVING

- Make sure the appliance is empty.
- Secure the shelves with tape.
- Secure the door with tape.
- Turn the adjustable foot up to the base to avoid damage.
- Protect the outside of the appliance with a blanket or similar item.
- Be sure the appliance stays in the upright position during transportation.
- If the appliance is placed on its back or side during transportation, upon reaching the destination, allow it to remain upright for 6 hours before plugging in to avoid damage to internal components.

### DISPOSAL

This appliance may not be treated as regular household waste; it should be taken to the appropriate waste collection point for recycling of electrical components. For information on local waste collection points, contact your local waste removal agency or government office.

## TROUBLESHOOTING

PROBLEM	POSSIBLE CAUSE
No power	<ul style="list-style-type: none"> <li>A fuse may be blown or the circuit breaker tripped</li> <li>Plug not fully inserted into the wall outlet</li> </ul>
Internal temperature not cold enough Appliance runs continuously	<ul style="list-style-type: none"> <li>Door is not shut properly or opened excessively</li> <li>Exhaust vent is obstructed</li> <li>Recently added a large quantity of warm bottles to the cabinet</li> <li>Close proximity to heat source or direct sunlight</li> <li>Ambient temperature or humidity is very high</li> <li>Possible system leak, evaporator fan failure or compressor failure</li> </ul>
Condensation on the cabinet or door	<ul style="list-style-type: none"> <li>Door is not shut properly or opened excessively</li> <li>Ambient temperature or humidity is very high</li> </ul>

## ERROR CODES

<b>C0</b>	• control system communication fault
<b>E1</b>	• interior sensor fault
<b>E2</b>	• defrost sensor fault
<b>dr</b>	• door open for more than 1 minute
<b>EH</b>	• internal temperature is 8 degrees higher than the set temperature for more than 30 minutes
<b>EL</b>	• internal temperature is 8 degrees lower than the set temperature for more than 30 minutes

If error codes appear on the display for more than 5 minutes, a power reset may rectify the issue. Unplug the appliance, wait 5 minutes and then plug the appliance back in. If the error code persists after a power reset, contact consumer care or an authorized service agent.