



328 lb Undercounter Slab Ice Machine - Half Dice

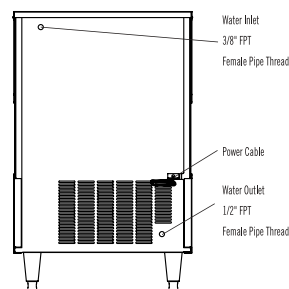
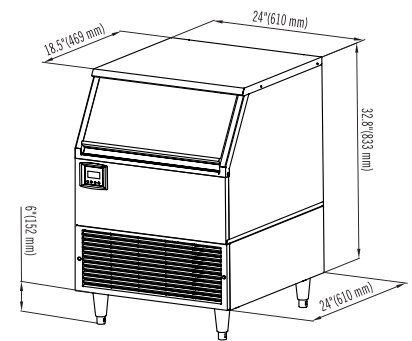
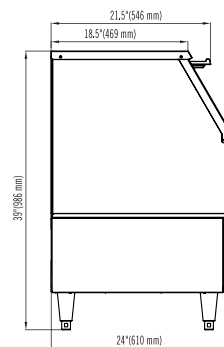
MPN: KT-UIH-320-A

Special Features

- Stainless steel, black trim exterior
- Air-cooled compressor
- Programmable, user-friendly digital controls
- Digitally displays ice machine status
- Automatic cleaning cycle and bin overflow prevention
- Internal blue LED light
- 6" adjustable leveling legs
- Ice scoop included with internal scoop holder
- Antimicrobial agent within polyethylene storage bin liner for improved sanitation

Specifications

Model	MI320H
Dimensions	30" x 28" x 39"
Daily Ice Production	328 lbs
Ice Bin Storage Capacity	100 lbs
Amp Draw	8A / 9A
Refrigerant / Charge Size	R290 (Hydrocarbon)
Electrical	115V / 60Hz / 1Ph



MOTAK reserves the right to make changes to the design or specifications without prior notice.