

MOTAK

22" Ice Bin

Model #: **KT-IB-310**

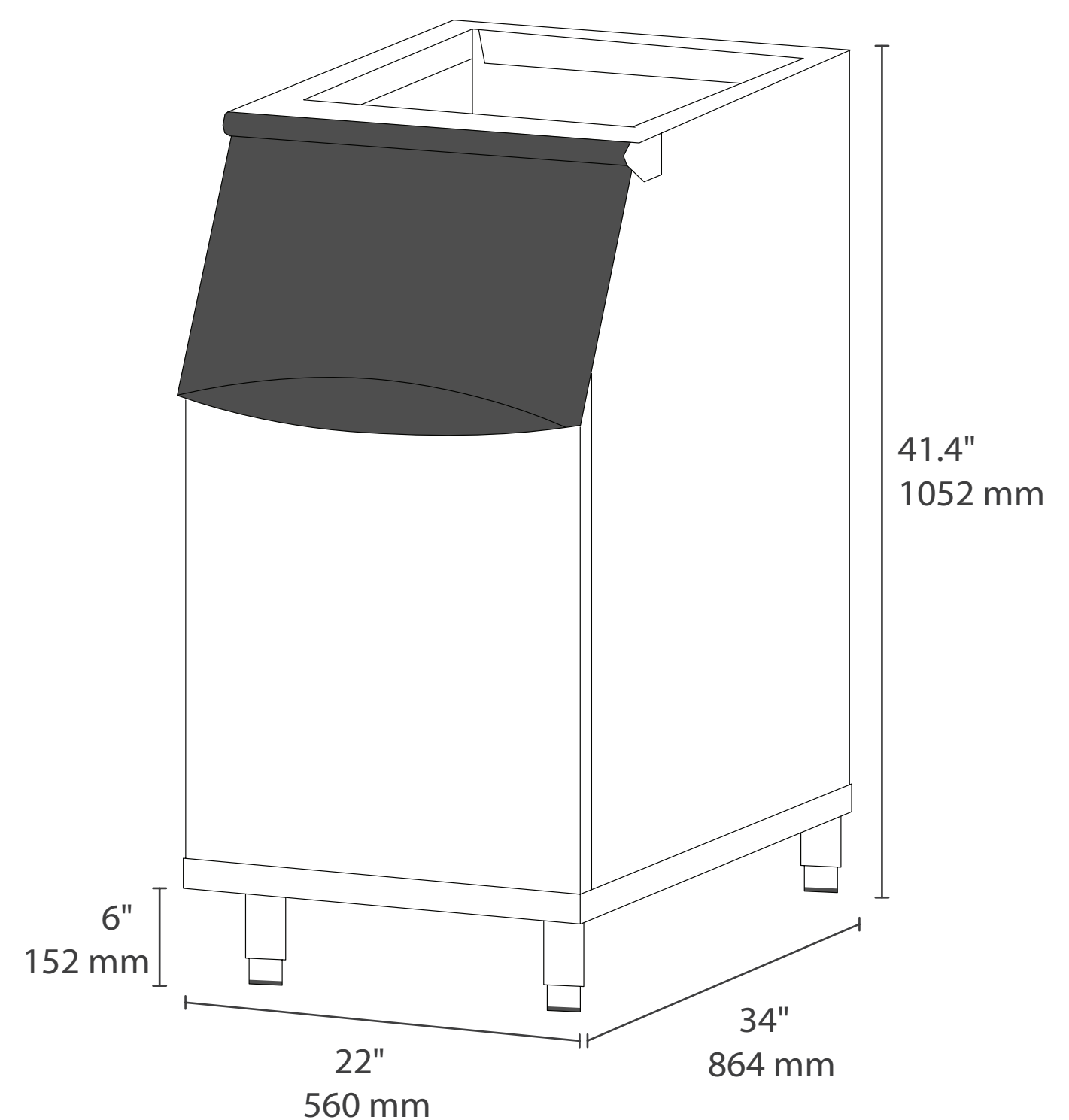


Product Details

- Stainless steel and black trim exterior
- All-stainless steel exterior
- Polyethylene storage bin liner for improved sanitation
- LED illuminated interior when access lid is open (powered via connection to ice machine head - sold separately)
- Ice scoop and holder are above the ice line for easy access and improved sanitation
- 6" adjustable legs
- 3/4" drain hookup

Not suitable for installation in non-commercial or residential applications.

Plan View



Specifications

Model	EXTERNAL DIMENSIONS	MAXIMUM ICE STORAGE CAPACITY	AHRI CAPACITY	SHIPPING WEIGHT	DRAIN LINE CONNECTION
KT-IB-310	22" x 34" x 41.4" (560 x 864 x 1052 mm)	310 lbs (141 kg)	246 lbs (112 kg)	99.5 lbs (45 kg)	3/4"

MOTAK reserves the right to make changes to the design or specifications without prior notice.

JUL1223