

MOTAK

High-temp Undercounter Glass Washer

Model #: MGW-HT30

Product Details

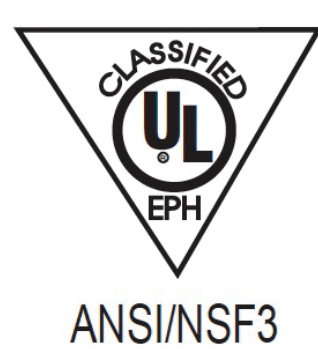
- 16" x 16" square basket glass washer
- 18/10, AISI 304 stainless steel construction
- Wash and rinse temperature thermometers
- Stainless steel lower rotating wash arms
- Stainless steel lower rotating rinsing and upper fixed
- Extractable control panel for easy maintenance
- Rinse aid dispenser
- Detergent pump
- Automatic tank loading
- Door-opening safety device
- Thermocontrol device ensures water reaches set point for every rinse cycle, even when used non-stop
- Security thermostat

Not suitable for installation in non-commercial or residential applications.

Included Accessories

- 2 baskets for glasses
- 2 cutlery containers
- 1 saucers insert

Certifications



Size

18-1/8"W x 20"D x 30-3/4"H

Cycle Period:

2 Minutes

Capacity:

30 Baskets per hour

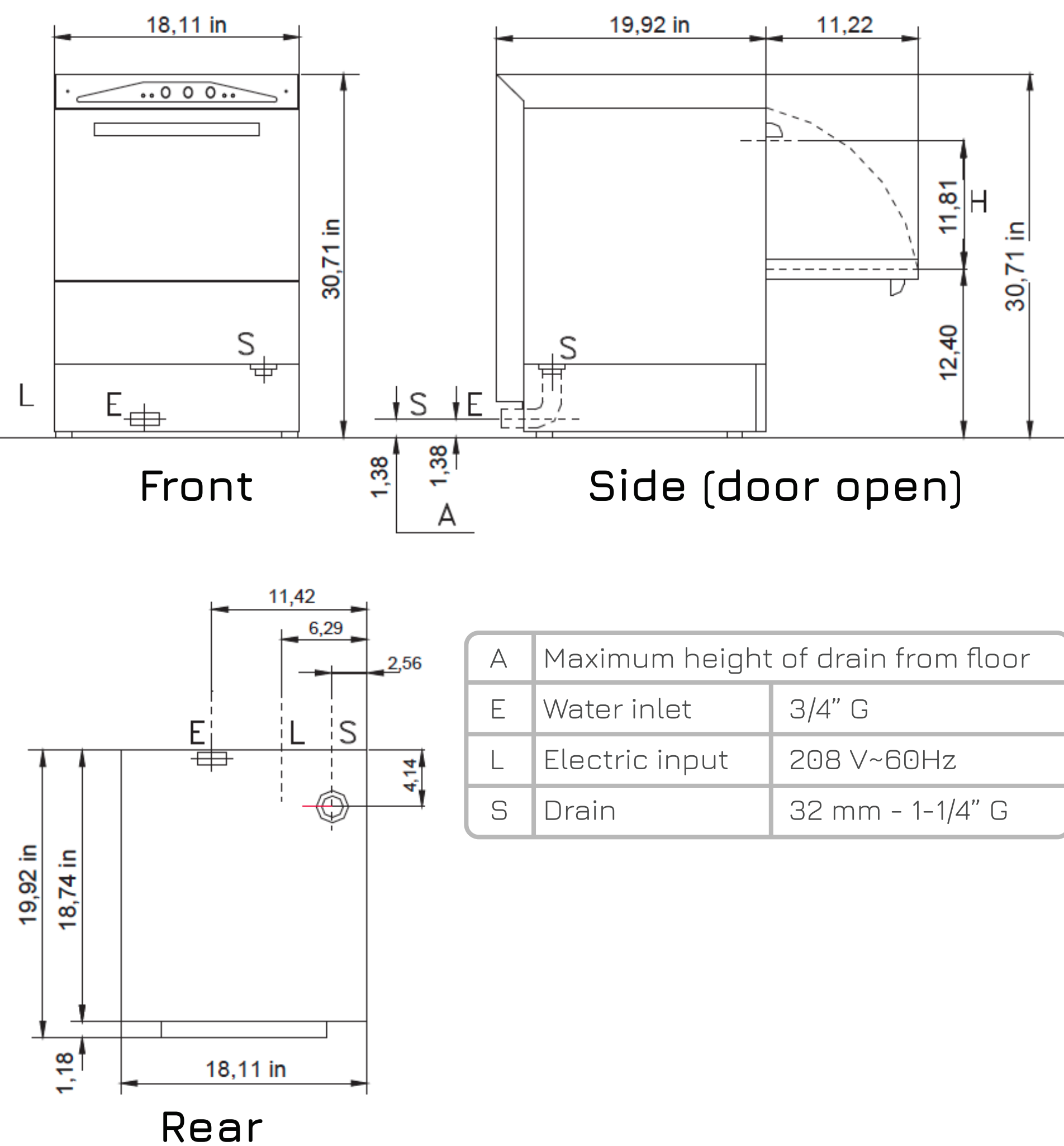


MOTAK

High-temp Undercounter Glass Washer

Model #: MGW-HT30

Plan View



Specifications

	MGW-HT30
Voltage	208V/1ph/60Hz
Washing Pump	210 W
Wash Tank Elements	2000 W
Rinse Tank Elements	3000 W
Total Rating	3200 W
Maximum Current Intensity	16 A
Plates Clearance	11.81-in.
Work Height	12.40-in.
Tank Capacity	5-gal.
Boiler Capacity	0.8-gal.
Pump Delivery	160 lt/min
Water Connection	131°F
Water Consumption Per Cycle	1/2-gal.
Water Consumption Per Hour	16-gal.
Water Pressure	20±5 psi
Water Hardness	5 - 10 TH(°F)
Rinsing Water Temperature	179 - 194 °F
Water Inlet	3/4" G
Water Outlet	1-1/4" G
Net Weight	77 lbs.
Gross Weight	88 lbs.
Packing Size	19.68"W x 22.05"L x 31"H
Noise Level	<70 dB(A)