



G3 DIGITAL HIGH VOLUME COMBO BREWING SYSTEMS

MODEL: CBHS, CBHS67000-001, CBHT, CBHT17000-001



CBHS/CBHS67000-001

Single High Volume Combo Brewer
Shown with One 3.5 Gallon TCN
Iced Tea Dispenser (left) and
One 1.5 Gallon TXSG1501S600 (right)
(Dispensers Sold Separately)

CBHT/CBHT17000-001

Twin High Volume Combo Brewer
Shown with 3.5 Gallon TCN
Iced Tea Dispenser (left) and
1.5 Gallon TXSG1501S600 (right)
(Dispensers Sold Separately)

Your Single, Simple Brewing Solution For Flavorful Iced Tea And Gourmet Coffee!

Now you can brew delicious iced tea and rich, robust coffee from the same precision system. Simply add bulk tea leaves, flow-thru filter packs or ground coffee, then press the clearly marked brew button for gallons of cool, flavorful iced tea or rich coffee in just minutes.

FEATURES AT A GLANCE

- **Multiple Beverage Options** – Designed to brew up to 1.5 gallons of coffee or up to 4.0 gallons of iced tea or iced coffee within seconds
- **Iced Coffee Feature for CBHS and CBHT Models** – Easily brew delicious iced coffee using the iced coffee brew basket WC-3422IC and a TCNC iced coffee dispenser
- **Multi-Batch Options** – 3 coffee and 2 tea buttons for selectable batch size and differing beverage profiles (6 coffee and 4 tea buttons on twin model)
- **Power Requirement Versatility** – Multiple power options available from 110V to 220V and 1800W to 7200W, single and three phase
- **Single and Twin Models** – Twin model will brew tea on both sides individually or simultaneously (or a combo of tea and coffee)
- **G3 Digital Control Module** – Offers full brewing programmability with unsurpassed reliability. Allows for gourmet fine-tuning with Pulse-Brewing, Pre-Infusion, Fast-Brew, Multi-Batch and other G3 standard features
- **Lime-Resistant Design** – Curtis' Advanced Flow Spray head (AFS) has a patented design and material construction that reduces lime and scale build up

BREWING CAPABILITIES

CBHS/CBHT

- Iced Tea
- Iced Coffee
- Hot Coffee

CBHS67000-001/CBHT17000-001

- Iced Tea
- Hot Coffee

UCM OVERLAYS



WC-390061
CBHS UCM Overlay
With Iced Coffee Option



WC-390060
CBHT UCM Overlay
With Iced Coffee Option

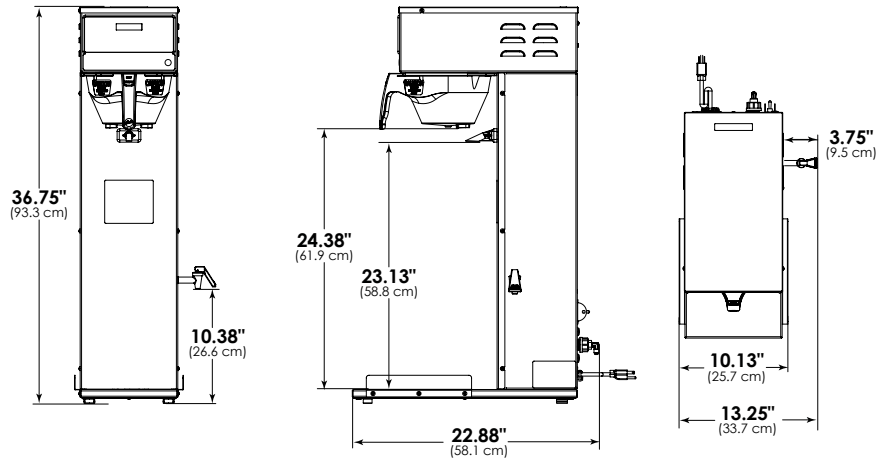


WC-39846
CBHS67000-001 UCM Overlay
Without Iced Coffee Option

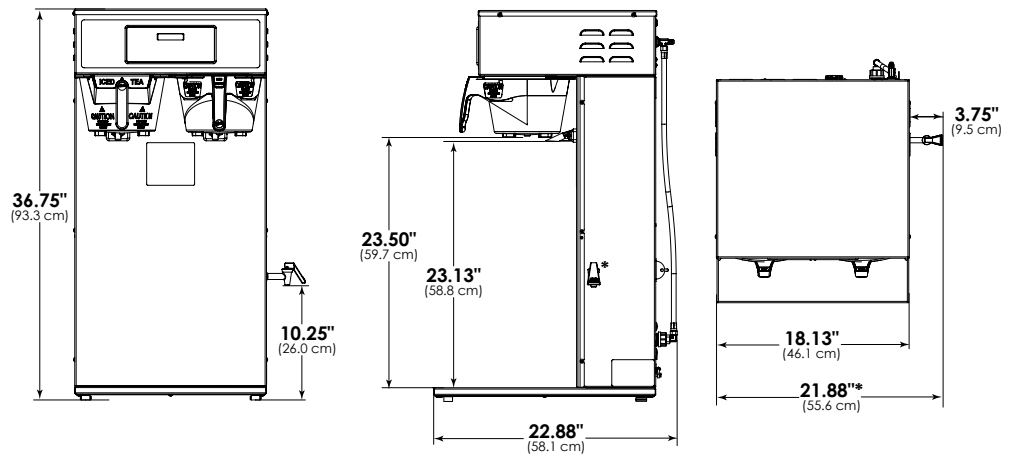


WC-39845
CBHT17000-001 UCM Overlay
Without Iced Coffee Option

**CBHS/
CBHS67000-001**
Single High Volume
Brewer



**CBHT/
CBHT17000-001**
Twin High Volume
Brewer



Electrical Supply Requirements

MODEL #	PHASE	VOLTS	AMPS	HEATING CONFIG	WIRE	WATTS	HERTZ	GAL/HR
CBHS	1 PH	110/220V	15.0/12.7A	2X1600W	2/3W+G	1800/2800W	50/60 Hz	12.0
CBHS67000-001	1 PH	110/220V	15.0/12.7A	2X1600W	2/3W+G	1800/2800W	50/60 Hz	12.0
CBHT	1 PH	220V	23.0/34.0A	3X2500W	3W+G	5100/7500W	50/60 Hz	21.0
CBHT17000-001	1 PH	220V	23.0/34.0A	3X2500W	3W+G	5100/7500W	50/60 Hz	21.0

Dimensions

MODEL #	HEIGHT	WIDTH	DEPTH	SHIP WEIGHT	SHIP CUBE
CBHS	36.75"	13.25"	22.88"	47.0 lbs.	9.3 cu. ft.
CBHS67000-001	36.75"	13.25"	22.88"	47.0 lbs.	9.3 cu. ft.
CBHT	36.75"	21.88"	22.88"	76.0 lbs.	16.0 cu. ft.
CBHT17000-001	36.75"	21.88"	22.88"	76.0 lbs.	16.0 cu. ft.

Water Supply Requirements

WATER CONNECT	WATER PRESSURE	MIN. FLOW RATE	WATER TANK VOL.
1/4" Flare	20 - 90 psi	1.0 GPM	2.9 Gal.
1/4" Flare	20 - 90 psi	1.0 GPM	2.9 Gal.
1/4" Flare	20 - 90 psi	2.0 GPM	5.2 Gal.
1/4" Flare	20 - 90 psi	2.0 GPM	5.2 Gal.

SPECIFICATIONS SUBJECT TO CHANGE WITHOUT NOTICE



WARNING - These products can expose you to chemicals including Acrylamide and Bisphenol A (BPA), which are known to the State of California to cause cancer and birth defects or other reproductive harm. For more information visit www.P65Warnings.ca.gov



WILBUR CURTIS CO., INC.
6913 Acco Street, Montebello, CA 90640-5403
Telephone: 800-421-6150 · 323-837-2300
Fax: 323-837-2406
www.wilburcurtis.com