

# MLCP215/MLCL215

## 15" CLEAR ICE MACHINE



BrightShield protects against viruses, bacteria, mold and mildew.



### MARVEL CLASSIC COLLECTION

#### MAIN FEATURES

- Models with BrightShield™ antimicrobial lighting create a more hygienic environment for ice
- Produces 3/4" clear ice cubes
- Produces up to 39 pounds of clear ice per day
- Stores up to 28 pounds of clear ice
- Ice scoop included with dedicated holder
- Factory-installed drain pump model required if a gravity drain is not available
- Door ajar and cleaning alerts
- Arctic white LED theater-style lighting
- Elegant midnight black interior
- Reversible door allows for right or left swing
- Panel ready model requires 3/4" or 5/8" custom panel and handle (not supplied by Marvel)

#### WARRANTY

- 1-year parts and labor warranty and 5-year sealed system parts warranty (see complete warranty for details)

#### FINISH OPTIONS



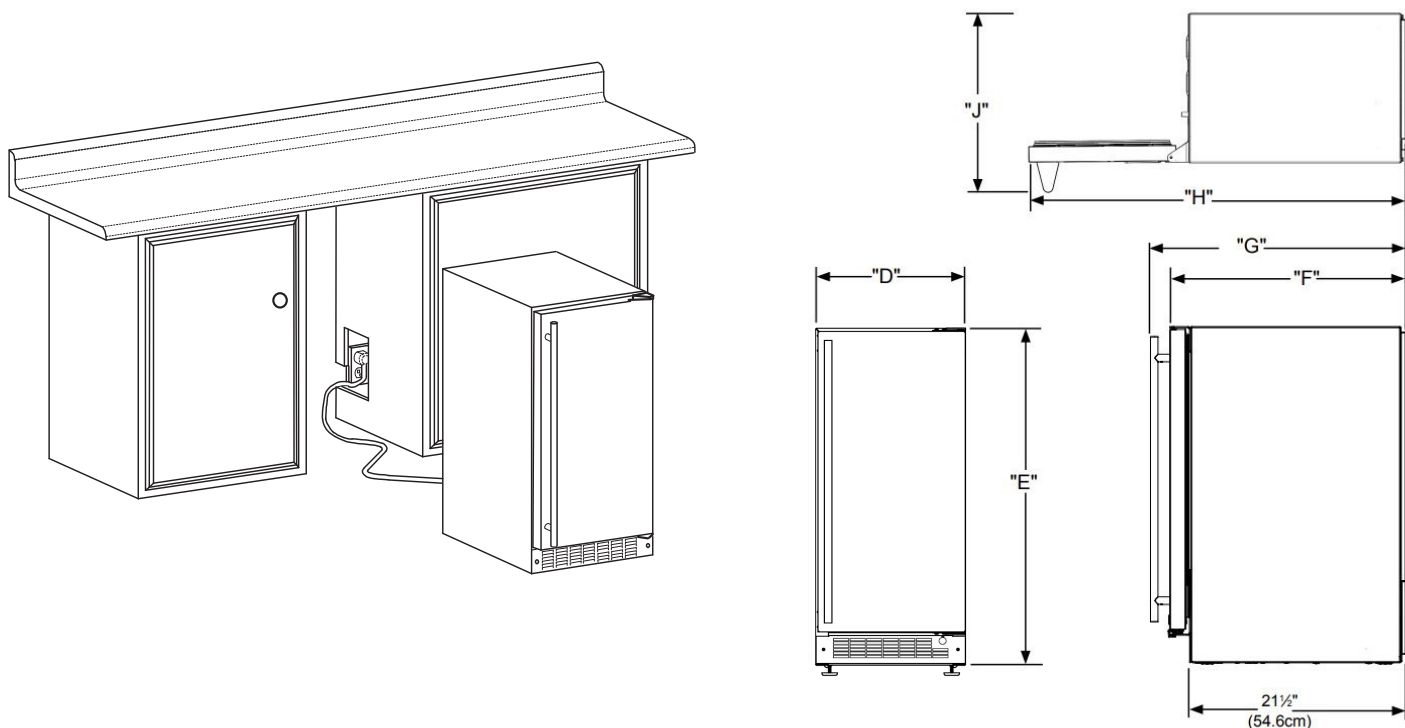
DOOR STYLE	PUMP	MODEL NUMBER
Stainless Steel Frame Glass	Yes	MLCP215-SG01B
Stainless Steel Frame Glass	No	MLCL215-SG01B
Solid Stainless Steel	Yes	MLCP215-SS01B
Solid Stainless Steel	No	MLCL215-SS01B
Solid Panel Ready	Yes	MLCP215-IS01B
Solid Panel Ready	No	MLCL215-IS01B

BRIGHTSHIELD™ MODELS	PUMP	MODEL NUMBER
Solid Stainless Steel	Yes	MLCP215-SS81A
Solid Panel Ready	Yes	MLCP215-IS81A





## DIMENSIONAL DRAWINGS



### ROUGH IN DIMENSIONS\*

"A"	"B"	"C"
15"	34" to 35"	24"
(38.1 cm)	(86.4 cm to 88.9 cm)	(61 cm)

### CABINET DIMENSIONS\*

"D"	"E"	"F"	"G"	"H"	"J"
14-7/8"	33-3/4" to 34-3/4"	23-5/8"*	25-1/2"*	37-3/8"*	16-5/8"*
(37.8 cm)	(85.7 cm to 88.3 cm)	(60 cm)	(64.8 cm)	(94.9 cm)	(42.2 cm)

\*Stainless steel model dimensions only. For panel-ready models, see the owner's guide online at [marvelrefrigeration.com](http://marvelrefrigeration.com).

## PRODUCT SPECIFICATIONS

<b>Capacity</b>	28 lbs
<b>Cord Length</b>	6 ft.
<b>Electrical Requirements</b>	115V / 60 Hz / 15A
<b>ENERGY STAR</b>	No
<b>Panel Height</b>	29-21/32" (75.4 cm)
<b>Panel Thickness</b>	5/8" (1.6 cm) or 3/4" (1.9 cm)
<b>Panel Type</b>	2-3/4" (7 cm) Solid Panel
<b>Panel Width</b>	14-3/4" (37.5 cm)
<b>Refrigerant Type</b>	R600a

<b>Sabbath Mode</b>	Yes
<b>Shipping Dimensions</b>	19" W x 31" D x 37" H
<b>Shipping Weight</b>	125 lbs

For comprehensive installation instructions, including panel overlay details, please visit [marvelrefrigeration.com](http://marvelrefrigeration.com) to access the owner's guide. All specifications are subject to change without notice.

