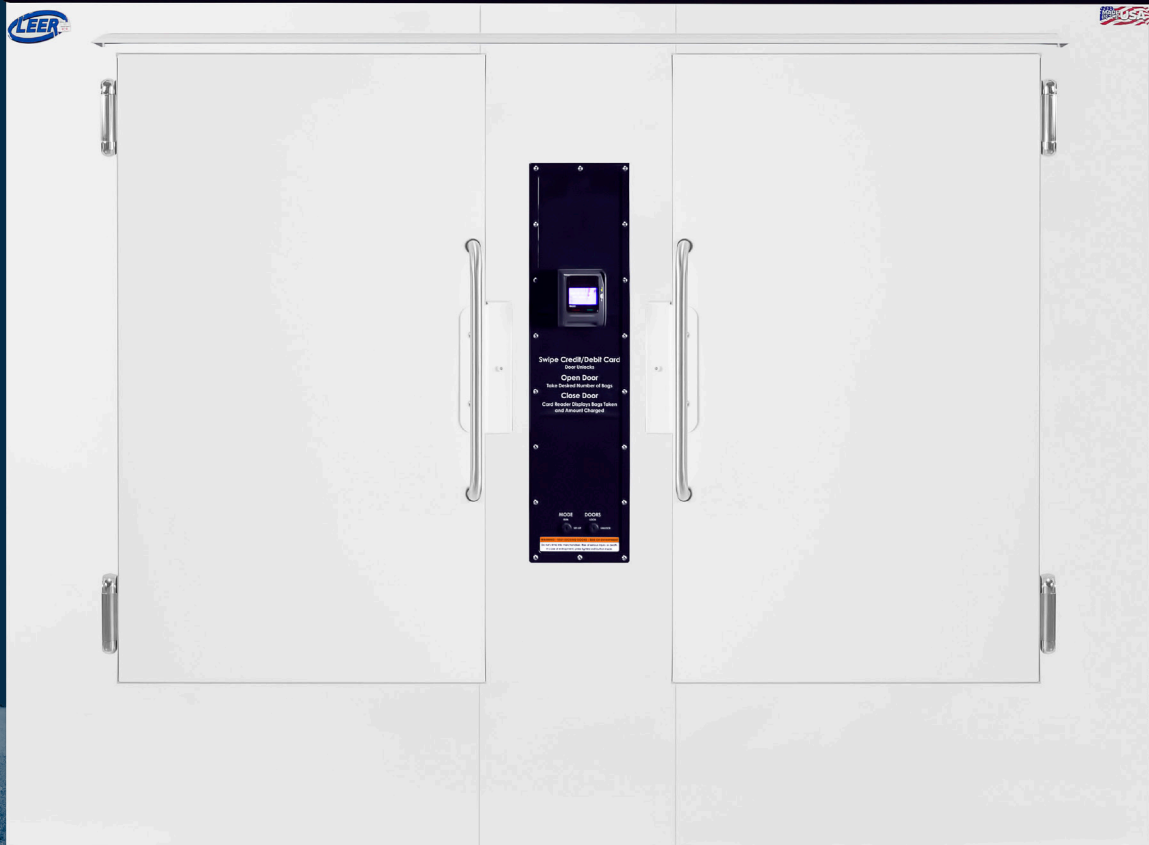




ICE VENDING MACHINES

ICE  
24 hour vending



We're With You Every  
*Degree* Of The Way





## ABOUT LEER

Through decades of commitment to product development, customer service and a relentless focus on American-made manufacturing excellence, Leer has continued to shape and drive innovation in the temperature-controlled storage industry. We're dedicated to the success of all our customers - be that customers of our iconic white Ice Merchandisers, Ice Vending Machines, Refrigerated Transports, Reach-In Storage Freezers, or our custom-built Walk-In Coolers & Freezers.

We'd be honored to earn your business and become your trusted partner in temperature-controlled storage solutions. When you buy from Leer, you're not just buying our products but a commitment from all of us and that's a promise to be with you every degree of the way. We're confident our products provide a value that cannot be beaten.

### OUR MISSION

- To be your trusted partner in temperature-controlled storage solutions.
- To partner with our customers to design and develop the highest quality, innovative, temperature-controlled storage solutions to meet their ever-changing needs.
- To provide our customers exceptional quality and outstanding customer service at every stage of every interaction.
- To train and support all employee owners to produce products they can proudly label Made-In-The-USA.
- To promote safe and healthy work practices and environments that benefit all.

### OUR VISION

We will exceed the highest expectations of our customers, employee owners, partners, shareholders and community by continually delivering the best possible American-made products. We're with you every *degree* of the way.

### WE VALUE

- Building Trust
- Wowing Customers
- Constantly Improving
- Working Together
- Embracing Ownership

### WHEN YOU BUY FROM LEER

- You have our lifetime support - we're with you every degree of the way.
- We're dedicated to delivering our products right the first time, right every time.
- Our products are intelligent-by-design because we know every degree matters.
- We're 100% employee owned - those employee owners make a distinctive difference because you have the commitment of not just one owner, but hundreds of owners.
- We have decades of commitment to product development and customer service with a relentless focus on manufacturing quality from America's heartland.

### WE BELIEVE

- All stakeholders are valuable partners in delivering our vision and executing our mission, and are invested in doing both.
- In best intentions at all times, and taking a commonsense and practical path to address differences.

### OUR FAMILY

We're a proud member of Dexter Apache Holdings, Inc. ([dexterapache.com](http://dexterapache.com)), a leading 100% employee-owned company with diverse business interests in the manufacturing, distribution, financial services and mission critical technology industries.

## ICE VENDING MACHINE LINEUP

### INDOOR ICE VENDING MACHINES

The self-checkout lane for ice. For remote locations, and services without 24/7 employees, Leer's Ice Vending Machines offer the most affordable, reliable and simplest solution to Ice Merchandising needs.

### OUTDOOR ICE VENDING MACHINES

Where there's a need for ice isn't always convenient enough for a whole store. For remote locations, and services without 24/7 employees, Leer's Ice Vending Machines offer the most affordable, reliable and simplest solution to Ice Merchandising needs.



VM40  
INDOOR & OUTDOOR



VM85  
INDOOR & OUTDOOR



## ICE VENDING MACHINES

### 1. LEER INC.

- **Your Partner in Temperature-Controlled Storage Solutions** - With over 65 years of industry expertise, innovation and focus on manufacturing excellence, we're confident our products feature industry leading efficiency, reliability, durability and longevity - delivering an unbeatable value to you and your company.
- **Made in Wisconsin, USA** - Manufactured under a strict quality control program to ensure our products are delivered right the first time, right every time.
- **We're With You Every Degree of the Way** - As an employee owned company, our success depends on your success. We stand behind our products and are dedicated to your success by providing free lifetime technical support. Our engineers and customer service teams are available to help, whether you're a potential new customer or a lifetime customer of Leer.

### 2. CONSTRUCTION FEATURES

- **Patented Construction Features** - All steel construction with no fasteners, welding, or adhesives. The offset seams are precision machine formed, resulting in water-tight lock-form seams that create a stronger and more durable merchandiser. This increases longevity by reducing moisture penetration into the insulation.
- **Limited Maintenance** - Only requires electrical and a cell signal to operate, few moving parts, and an automatic defrost system.
- **High R-Values** - Increased insulation to reduce heat infiltration into the unit - resulting in consistent and optimal temperatures of 16°F - 24°F. There's 2.5" of high-performance, eco-friendly, insulation in the ceiling and walls, and 3" of insulation in the floor.
- **Rust Resistant** - The exterior of the ice vending machine is finished with a two-part primer/top coat all-weather paint to provide superior resistance to humidity, corrosion, and other weather conditions.
- **Premium Load Cells** - Load cells are located in the feet of the machine to accurately measure the weight and determine how many bags of packaged ice were removed.

### 3. DOOR FEATURES

- **High-Impact Breaker Strip** - High-impact breaker strip, located around the perimeter of the door jamb, durable enough to withstand excessive wear and tear and provide a thermal break between the merchandiser interior and exterior.
- **Enhanced Door Frames** - The door frame is a combination of both rigid and flexible PVC, which provides better protection against dirt and water in the field and foam exposure during the manufacturing process.

- **Inset Doors** - The 2" inset doors provide greater insulation, reduce condensation, and improves the performance of machine.
- **Rain Shield** - All doors contain a rain shield to divert water from dripping onto the doors or into the unit.
- **Steel Doors with Premium Paint** - Galvanized steel doors top coated with a premium exterior grade white paint, which provides resistance to scratches, scuffs, dents, and protection from the outside elements.
- **Spring-Assisted Hinges** - The hinges are adjustable to ensure a lifetime of level, and solid sealing doors. Additionally, the springs help the door close securely and avoid accidentally being left open.
- **Chrome-Finish Hardware** - All hardware, including hinges and handles, have a chrome-finish to provide greater, strength durability, resistance to corrosion, and aesthetics.
- **Large Door Openings** - Oversized door openings for increased view and accessibility of the ice, and ease of merchandising during restock.
- **Anti-Theft Lock** - Self-locking electro-magnetic lock, with 600lbs of force, to help prevent theft.

### 4. INTERIOR FEATURES

- **High-End Interior Finish** - Bright white interior finish.
- **Interior Lighting** - Standard with energy efficient LED lighting to help showcase the ice.

### 5. ELECTRONIC FEATURES

- **Credit Card Reader** - Integrated credit card reader and cellular communications for 24/7, unattended packaged ice vending and remote monitoring.

### 6. REFRIGERATION FEATURES

- **Serviceability** - The drop-down evaporator allows for easier troubleshooting, maintenance, and servicing.
- **Illuminated Full Top and Compressor Cover** - A compressor cover and illuminated full top are standard to attract customers' attention and provide air flow for better cooling of the condenser and compressor. It's also a layer of protection from harmful foreign objects.
- **Intelligent Electronic Controls** - Electronic controls feature a digital display, factory preset advanced custom settings, and built-in intelligence to ensure your ice vending machine will consistently operate at the optimal settings for your environmental needs.



**VIDEO LIBRARY** [leerinc.com/video-library](http://leerinc.com/video-library)





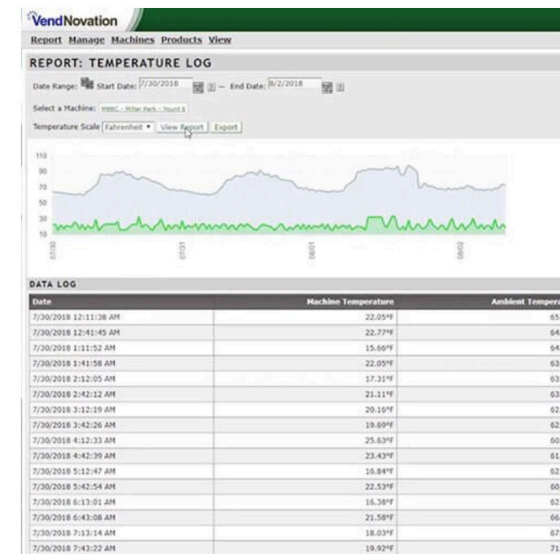
# ICE VENDING MACHINES

	VM40	VM85
<b>STANDARD MODEL NUMBERS</b>		
Auto Defrost - R404a:	L040UASV	L085UASV
Cold Wall - R404a:	N/A	N/A
Auto Defrost - R290:	L040UASVP	L085UASVP
Cold Wall - R290:	N/A	N/A
<b>DIMENSIONS &amp; CAPACITIES</b>		
7 lb. Bags - Auto Defrost:	100	230
20 lb. Bags - Auto Defrost:	40	90
7 lb. Bags - Cold Wall:	N/A	N/A
20 lb. Bags - Cold Wall:	N/A	N/A
Approx. Interior Cubic Feet:	40	85
Dimensions (W" x D" x H"):	47 x 30 x 78.5	84 x 35.5 x 78.5
Door Size (W" x H"):	27 x 46	27 x 46
<b>OPERATING TEMPERATURE</b>		
(X°F - X°F):	16 - 24	16 - 24
Control:	Electronic Control	Electronic Control
<b>PRODUCT WEIGHT</b>		
Auto Defrost (lbs.):	400	650
Cold Wall (lbs.):	N/A	N/A
<b>ELECTRICAL</b>		
Voltage (V/Hz):	115 / 60	115 / 60
Min. Circuit Required (Amps):	15	15
Auto Defrost (Amps):	6.3	10
Cold Wall (Amps):	N/A	N/A
230V/50Hz Available:	Upon Request	Upon Request
<b>OTHER</b>		
Compressor (HP):	1/3	1/2
Refrigerant:	R404a, R290	R404a, R290
Certifications:	UL, cUL, CE	UL, cUL, CE
DOE Compliant:	Yes	Yes
CARB Compliant:	Upon Request	Upon Request
NSF Available:	Upon Request	Upon Request

1. Height Includes Compressor
2. Add 3" to Depth for Condensate Evaporator Pan
3. Add 3" to Depth for Low Profile Raceway
4. Add 3.5" to Depth for Glass Door & Handle
5. Add 3" to Depth for Upright Solid Door & Handle
6. Add 1" to Depth for Slant Solid Door & Handle
7. Merchandiser storage capacities are approximate & may vary due to type of ice, bag size, and methods of loading.

# ICE VENDING MACHINES

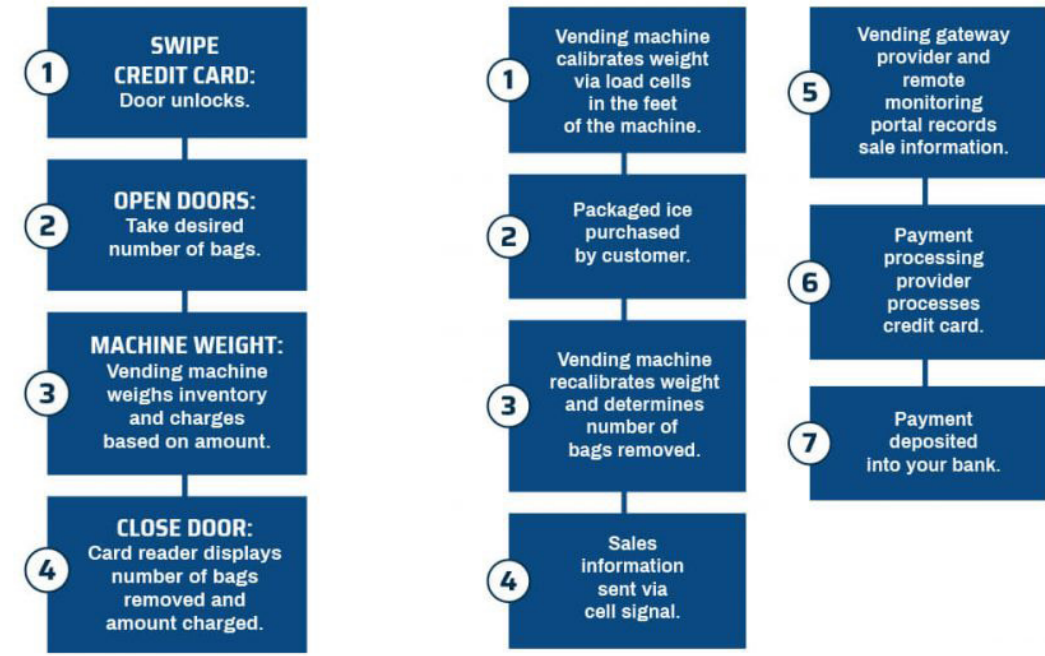
## ICE VENDING MACHINES ALLOW YOU TO



- 24/7, unattended, packaged ice vending
- Earn a profit with low investment costs and quick ROI potential
  - Free ROI Calculator: [leerinc.com/ice-vending-machines](http://leerinc.com/ice-vending-machines)
- Set and update bag size and sale price
- Monitor machine health online
- Track inventory levels online
- View transaction history
- Setup automated alerts

## HOW IT WORKS

### ICE CUSTOMER STEPS      VENDING MACHINE STEPS





VM40

VM85

### PRODUCT SPECIFICATIONS

#### Standard Model Numbers

Auto Defrost – R404a:	L040UASV
Cold Wall – R404a:	N/A
Auto Defrost – R290:	L040UASVP
Cold Wall – R290:	N/A

#### Dimensions & Capacities

7 lb. Bags - Auto Defrost:	100
20 lb. Bags - Auto Defrost:	40
7 lb. Bags - Cold Wall:	N/A
20 lb. Bags - Cold Wall:	N/A
Approx. Interior Cubic Feet:	40
Dimensions (W"xD"xH"):	47 x 30 x 78.5
Door Size (W"x H"):	27 x 46

#### Operating Temperature

(X°F - X°F):	16 - 24
Control:	Electronic Control

#### Product Weight

Auto Defrost (lbs.):	400
Cold Wall (lbs.):	N/A

#### Electrical

Voltage (V/Hz):	115 / 60
Min. Circuit Required (Amps):	15
Auto Defrost (Amps):	6.3
Cold Wall (Amps):	N/A
230V/50Hz Available:	Upon Request

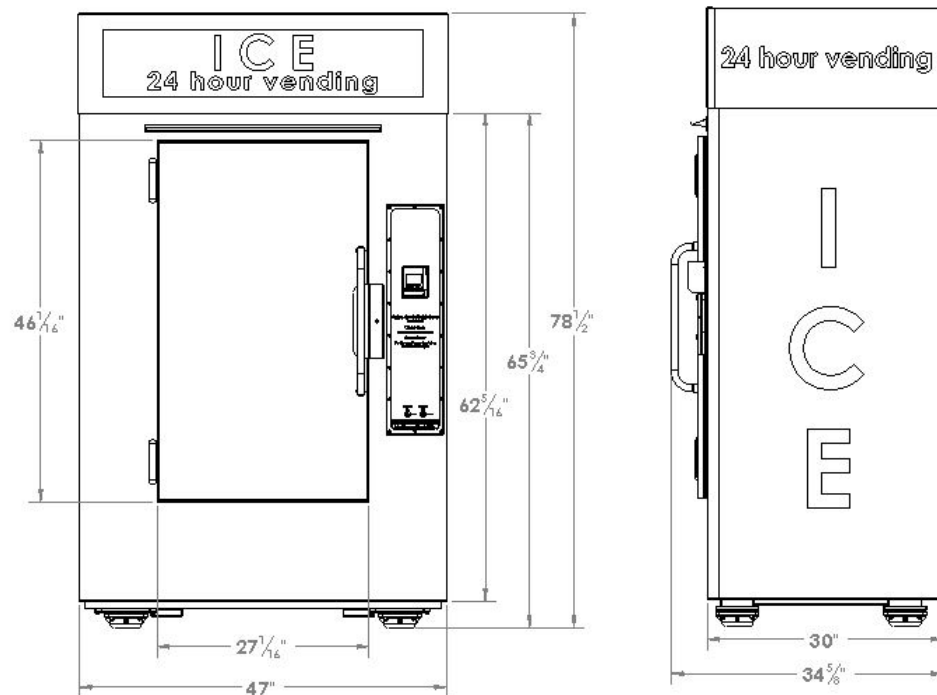
#### Other

Compressor (HP):	1/3
Refrigerant:	R404a, R290
Certifications:	UL, cUL, CE
DOE Compliant:	Yes
CARB Compliant:	Upon Request
NSF Available:	Upon Request

1. Height Includes Compressor
2. Add 3" to Depth for Condensate Evaporator Pan
3. Add 3" to Depth for Low Profile Raceway
4. Add 3.5" to Depth for Glass Door & Handle
5. Add 3" to Depth for Upright Solid Door & Handle
6. Add 1" to Depth for Slant Solid Door & Handle
7. Merchandiser storage capacities are approximate & may vary due to type of ice, bag size, and methods of loading.



### DIMENSIONAL DRAWINGS



### PRODUCT SPECIFICATIONS

#### Standard Model Numbers

Auto Defrost – R404a:	L085UASV
Cold Wall – R404a:	N/A
Auto Defrost – R290:	L085UASVP
Cold Wall – R290:	N/A

#### Dimensions & Capacities

7 lb. Bags - Auto Defrost:	230
20 lb. Bags - Auto Defrost:	90
7 lb. Bags - Cold Wall:	N/A
20 lb. Bags - Cold Wall:	N/A
Approx. Interior Cubic Feet:	85
Dimensions (W"xD"xH"):	84 x 35.5 x 78.5
Door Size (W"x H"):	27 x 46

#### Operating Temperature

(X°F - X°F):	16 - 24
Control:	Electronic Control

#### Product Weight

Auto Defrost (lbs.):	650
Cold Wall (lbs.):	N/A

#### Electrical

Voltage (V/Hz):	115 / 60
Min. Circuit Required (Amps):	15
Auto Defrost (Amps):	10
Cold Wall (Amps):	N/A
230V/50Hz Available:	Upon Request

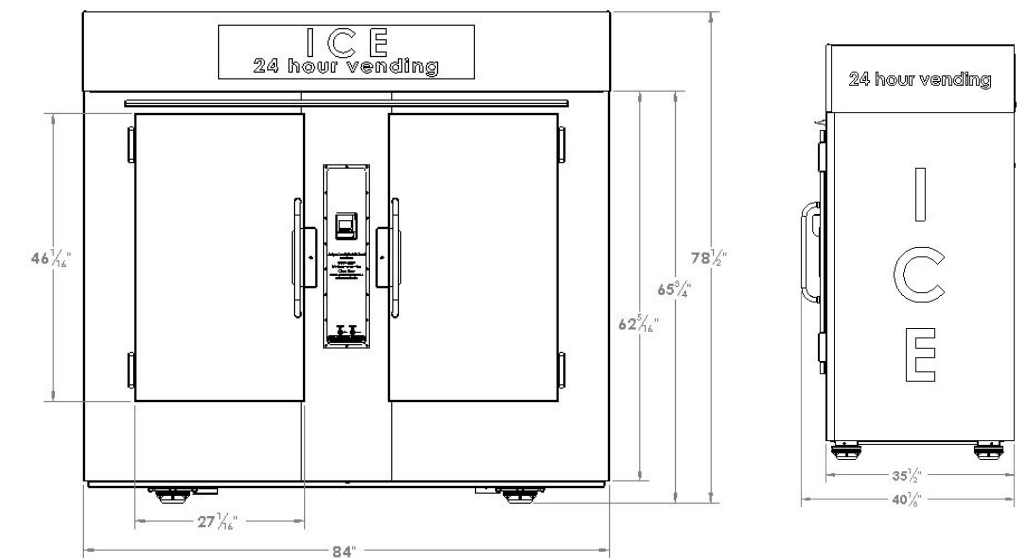
#### Other

Compressor (HP):	1/2
Refrigerant:	R404a, R290
Certifications:	UL, cUL, CE
DOE Compliant:	Yes
CARB Compliant:	Upon Request
NSF Available:	Upon Request

1. Height Includes Compressor
2. Add 3" to Depth for Condensate Evaporator Pan
3. Add 3" to Depth for Low Profile Raceway
4. Add 3.5" to Depth for Glass Door & Handle
5. Add 3" to Depth for Upright Solid Door & Handle
6. Add 1" to Depth for Slant Solid Door & Handle
7. Merchandiser storage capacities are approximate & may vary due to type of ice, bag size, and methods of loading.



### DIMENSIONAL DRAWINGS





## FEE EXPLANATION

## HOW TO BUY

### INTRODUCTION

The Leer VM40 & VM85 Ice Vending Machines require two monthly fees -Vending Service and Payment Processing fees.

The Vending Service Fees cover the management of vending technology, remote portals, hosting, encryption, updates to software, and cellular signal.

The Vending Service Fees contains only one payment option plan. A fee of \$25 per month, per machine, will be collected by Leer. Leer will settle all open invoices with the vending software company, Vendnovation, on your behalf.

### VENDING SERVICE FEES

	Option A
<b>Vending Service Fee:</b>	\$25 per month, per machine
<b>Payment Made To:</b>	Leer
<b>Application Form Needed:</b>	Yes

### PAYMENT PROCESSING / CREDIT CARD FEES

The Payment Processing / Credit Card Fees cover the management of processing software, clearing of transactions, monetary deposits into your account, and industry-standard credit card processing fees.

The Payment Processing / Credit Cards fees contain three payment option plans. The following charts highlight the fee breakdowns and provide examples to help determine which option may be right for you.

	Option A	Option B	Option C
<b>Payment Processing Fee:</b>	\$15 per month, per bank account	\$15 per month, per bank account	\$0
<b>Credit Card Fee:</b>	2% + \$0.09 per trans (may vary)	5.45% Flat Rate	6% Flat Rate
<b>Payment Processing Account:</b>	Heartland	Heartland	Vendnovation
<b>Vending Service Account:</b>	Vendnovation	Vendnovation	Vendnovation
<b>Access To Vendnovation Portal*:</b>	Yes	Yes	No
<b>Profits Deposited:</b>	Daily	Daily	Monthly

\* Vendnovation Portal allows user access to additional information, such as: price settings, inventory tracking, and sales data. Otherwise all changes must be completed by contacting a Vendnovation representative.

We want to be your trusted partner in temperature-controlled storage solutions and make your buying process as smooth as possible. Therefore, we have several routes to market you can choose from: Purchasing Direct Via Leer, Purchasing Through Our Distributors, or Purchasing Through Our E-Commerce Partners.

### PURCHASING DIRECT VIA LEER



#### Leer Ice Vending Machine Sales Office

206 Leer Street, Box 206  
New Lisbon, WI 53950-0206  
Tel: 800-766-5337  
Email: sales@leerinc.com

### PURCHASING THROUGH OUR DISTRIBUTORS

#### Modern Ice

Tel: 513-367-2101  
Tel: 800-543-1581  
<http://www.modernice.com/>  
[info@modernice.com](mailto:info@modernice.com)

#### Automatic Ice Systems

Tel: 800-325-3667  
Tel: 314-849-4411  
<http://www.automaticice.com/>  
[info@automaticice.com](mailto:info@automaticice.com)

#### Ice Systems & Supplies

Tel: 800-662-1273  
Tel: 803-324-8791  
<http://www.issionline.com/>  
[info@issi.com](mailto:info@issi.com)

#### Ing-Tech Corporation

Tel: 800-599-4744  
<http://www.itcpack.com/>  
[itc@itcpack.com](mailto:itc@itcpack.com)

#### Ice Systems Australia

Tel: +61 (0) 7 5495 1425  
<http://www.icesystemsaustralia.com.au/>  
[info@icesystemsaustralia.com.au](mailto:info@icesystemsaustralia.com.au)

#### West Cool Germany

Tel: 0049-02102-16759-11  
<http://www.westcool.de/>  
[o.thrun@westcool.de](mailto:o.thrun@westcool.de)

### A DEDICATED TEAM OF EMPLOYEE-OWNERS READY TO ASSIST YOU

If you have any questions regarding our products, we welcome you to contact us! We're with you every degree of the way and always ready and happy to assist! Feel free to call, email, or fill our out contact us form!

#### Call Technical Support and Customer Service:

(800) 766-5337

#### Email Us:

[sales@leerinc.com](mailto:sales@leerinc.com)

#### Fill out the Contact Us Form:

[leerinc.com/contact-us](http://leerinc.com/contact-us)

