



PIC5 POWDERED BEVERAGE DISPENSERS

Project Date Models **PIC5, PIC5 with Island Option** Item# Quantity



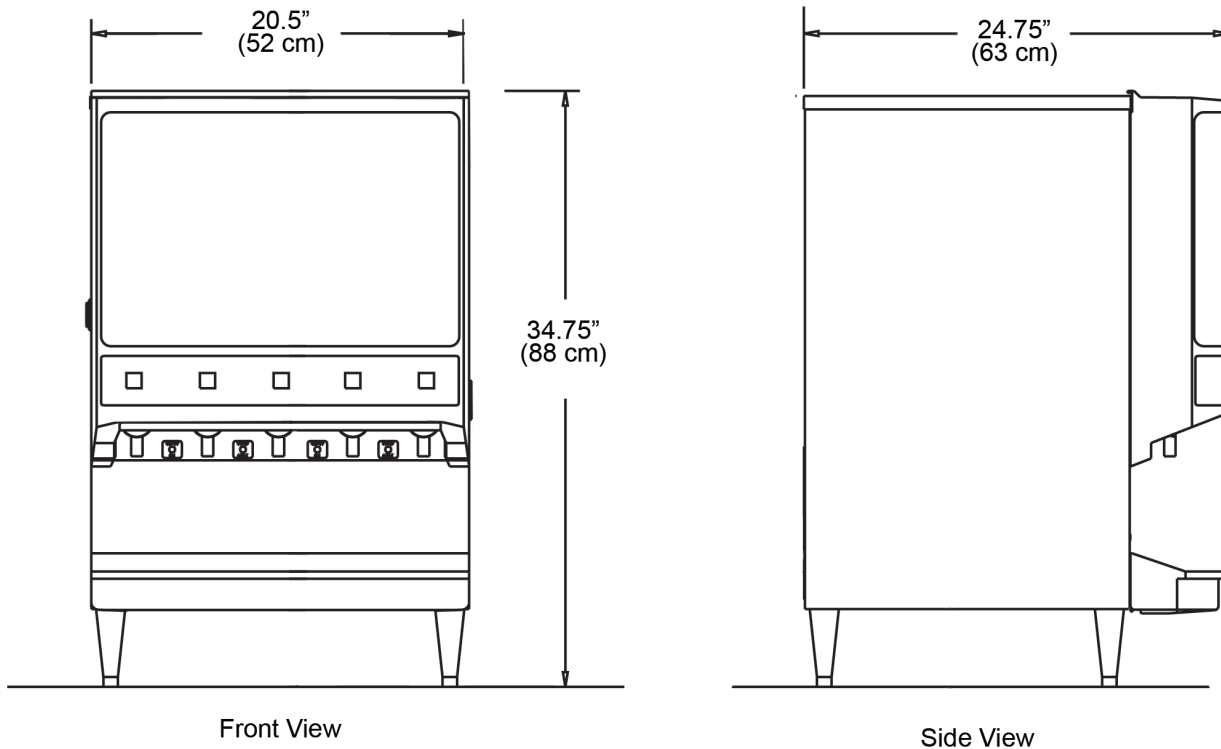
model PIC5

Features

- 5 Clear-View™ hoppers with 5 lbs. (2.3 kg) capacity each and fast product level visibility.
- Direct drive hoppers – self-aligning pin-and-link hopper drive for durability and easy install.
- Patented safety rib on dispense nozzle and generous cup clearance assures cups don't catch.
- Large, bold, front-lit graphics draw more attention and sales.
- Visible dispense spout and cup guide on drip tray clearly indicate cup placement for easy self-service.
- Generous 7" (18 cm) cup clearance accommodates most cup sizes.
- Thermostat adjustable to dispense ambient temperature beverages.
- Optional water pump allows unit to operate in remote location from bottled water, making it ideal for catering.

Models & Dimensions

PIC5 Powdered Beverage Dispensers



model PIC5

Specifications

Model	Tank Capacity	Electrical	Product Dimensions (H x W X D)	Ship Dimensions (H x W X D)	Ship Weight
PIC5 (62933)	5 gallon (18.9 L)	Dispensers: 120V / 1.4kW / 14A / 1 Ph Pump Kit: 120V / 60W / 1A / 1 Ph	34.75" x 20.5" x 24.75" (88 cm x 52 cm x 63 cm)	44" x 30.25" x 30.25" (112 cm x 77 cm x 77 cm)	125 lbs. (56.7 kg)
PIC5 with Island Option (62901)	5 gallon (18.9 L)	Dispensers: 120V / 1.4kW / 14A / 1 Ph Pump Kit: 120V / 60W / 1A / 1 Ph	34.75" x 20.5" x 24.75" (88 cm x 52 cm x 63 cm)	44" x 30.25" x 30.25" (112 cm x 77 cm x 77 cm)	125 lbs. (56.7 kg)

Plumbing: 0.25" (0.64 cm) water line required.

Options

External Water Pump Kit (63174) - Allows unit to operate in remote location from bottled water.

