

Let Performance Be Your Guide

EZ Gear Flush Valve

When it comes to lasting, performance leads the way. The EZ Gear Flush Valve harnesses technology from our three proven solutions: E-Z Flush®, AquaSpec®, and GO BLUE®.

We combined the dual action of E-Z Flush's motor-gear operation and AquaSpec's ceramic disc cartridge. E-Z Flush broke the mold and continues to break records for its reliability.

Next, we built on what works with our tough and chemical-resistant GO BLUE® diaphragm, gaskets and seals. The result? The next generation of optimized gear-driven sensor technology.



No Solenoid

Our motorized gear-driven operation eliminates solenoids and reduces moving parts in the waterway.

EZ Gear Technology

The ceramic disc cartridge is the pulse of our AquaSpec Faucet line. Together with the motor gear, it withstands heavy use. Count on it lasting up to 1,000,000 cycles.

Sensor Detection

The precisely positioned forward and downward angled IR sensor detects the user without delay or wasting water.

Waterproof Design

IP65 rated design and protective engineering keep water away from critical electronic components.

Chemical Resistance

Industry-leading GO BLUE diaphragm, gaskets and seals last 8-10 times longer than traditional rubber parts. Their TPE-construction resist chemicals to help prevent deterioration and costly maintenance.

Brass Body

Heavy-duty brass body with polished chrome finish stands up to extreme wear without losing luster for any modern restroom.

NO SOLENOID



EZ Gear Sensor Flush Valve

Engineering Specification

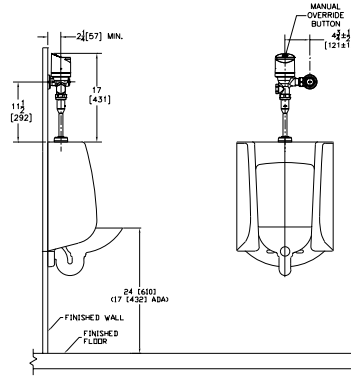
The ZER EZ Gear Sensor Flush Valve is performance engineered with the ceramic disc cartridge and motor gear-driven operation. Its polished chrome-plated finish, modern top-mount design, and quiet diaphragm operation make it ideal for new and retrofit commercial restroom applications.

Product Features

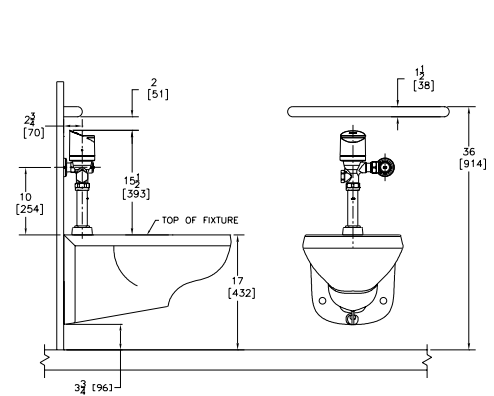
- Zurn's TPE GO BLUE diaphragm
 - Clog-resistant bypass
 - Chloramine resistant
- Proprietary dezincification-resistant, low-lead brass alloy
- Actuator
 - Electronic automatic sensor
 - Gear-driven ceramic cartridge
- Electronic manual override button
- Chloramine-resistant internal seals
- Operating pressure
 - 25 psi (running) - 80 psi (static)
 - Higher running pressure may be required for some fixtures. Consult fixture manufacturer for details.

Compliance and Certification

- ADA compliant
- Texas Accessibility Standard (TAS)



Urinal Rough-in Dimensions



Water Closet Rough-in Dimensions

Meets the ADA and ANSI A117.1 guidelines when installed according to these requirements.
In Canada — Consult local codes and standards.

Select Your Model

EZ Gear Diaphragm Sensor Flush Valves are available for water closet and urinal installation.



Model Numbers

CLOSET VALVES

ZER6000AV-ONE-TM	1.1 GPF Top Mount EZ Gear Driven Closet Sensor Flush Valve
ZER6000AV-HET-TM	1.28 GPF Top Mount EZ Gear Driven Closet Sensor Flush Valve
ZER6000AV-WS1-TM	1.6 GPF Top Mount EZ Gear Driven Closet Sensor Flush Valve
ZER6000AV-DF-TM	1.6/1.1 GPF Dual Flush Top Mount EZ Gear Driven Closet Sensor Flush Valve

URINAL VALVES

ZER6003AV-ULF-TM	0.125 GPF Top Mount EZ Gear Driven Urinal Sensor Flush Valve
ZER6003AV-EWS-TM	0.5 GPF Top Mount EZ Gear Driven Urinal Sensor Flush Valve
ZER6003AV-WS1-TM	1.0 GPF Top Mount EZ Gear Driven Urinal Sensor Flush Valve

Specify EZ Gear Sensor Flush Valves for your next retrofit at inspec.zurn.com.