



# Model(s) ZER6000AV-CPM

AquaVantage® AV Exposed, Sensor Operated, Battery Powered, Flush Valve for Water Closets

TAG

### Architectural/Engineering Specification:

Exposed, quiet diaphragm-type, chrome plated flushometer valve with a polished exterior. Complete with Zurn's AquaVantage TPE, chloramine resistant, dual seal diaphragm with a clog resistant, triple filtered by-pass. The unit features a 6VDC motor actuator with automatic infrared sensor, user-in view L.E.D., low battery indicator light, switchable 24 hour auto-flush and three second delay flush to deter false flushing, 10 degree angled sensor for optimum user detection, courtesy flush button, high impact resistant polycarbonate housing, impact resistant lens and chrome plated metal cover. The unit comes complete with 4 "C" size batteries, wrench for installation and allen key for the battery compartment. The EZ Flush electronics are ultra energy efficient for optimal battery life. This unit incorporates a high back pressure vacuum breaker, one piece hex coupling nut, adjustable tailpiece, spud coupling and flange for top spud connection. Control stop has internal siphon-guard protection, vandal resistant stop cap, sweat solder kit, and a cast wall flange with set screw. Internal seals are made of chloramine resistant materials.



### VALVE HEIGHT OPTIONS:

		Vacuum Tube Length	Rough-in Height "A"
<input type="checkbox"/>	Standard	8-1/2" [216"]	11-1/2" [292]
<input type="checkbox"/>	-1	13" [330]	16" [406]
<input type="checkbox"/>	-2	21" [533]	24" [610]
<input type="checkbox"/>	-3	24" [610]	27" [686]

### FLOW OPTIONS:

		Flush Volume	*WaterSense Labeled
<input type="checkbox"/>	-ONE**	1.1 gpf	x
<input type="checkbox"/>	-HET**	1.28 gpf	x
<input type="checkbox"/>	-WS1	1.6 gpf	
<input type="checkbox"/>	-Standard	3.5 gpf	

\*\* Not available with triple filter by-pass

### SUFFIX OPTIONS:

<input type="checkbox"/>	-YJ	Split Ring Pipe Support
<input type="checkbox"/>	-YK	Solid Ring Pipe Support

### Product Compliance:

ADA  
ASSE 1037/ASME A112.1037/CSA B125.37  
ASSE 1037  
CSA B125.37  
IPC  
WaterSense

\*Complies with ADA & ICC A117.1 accessibility requirements when installed according to the requirements outlined in these standards.



\*This product should be used with a WaterSense labeled counterpart with a compatible flow volume to ensure that the entire system meets the requirements for water efficiency and performance.

*\*Although products with certain combinations of options and features will meet or comply with these standards and/or certifications, not every combination of options and features will result in such compliance. If you have any questions about your particular product, please contact our Customer Care Dept. at 1-855-ONE-ZURN (United States) or 1-877-892-5216 (Canada) for confirmation.*

[Installation Guide - FV237.pdf](#)

[Warranty - general-terms-and-conditions.pdf \(PDF\)](#)

Architectural/Engineering Approval

Design and dimensional data (inches and [mm]) are subject to manufacturing tolerances and change without notice.

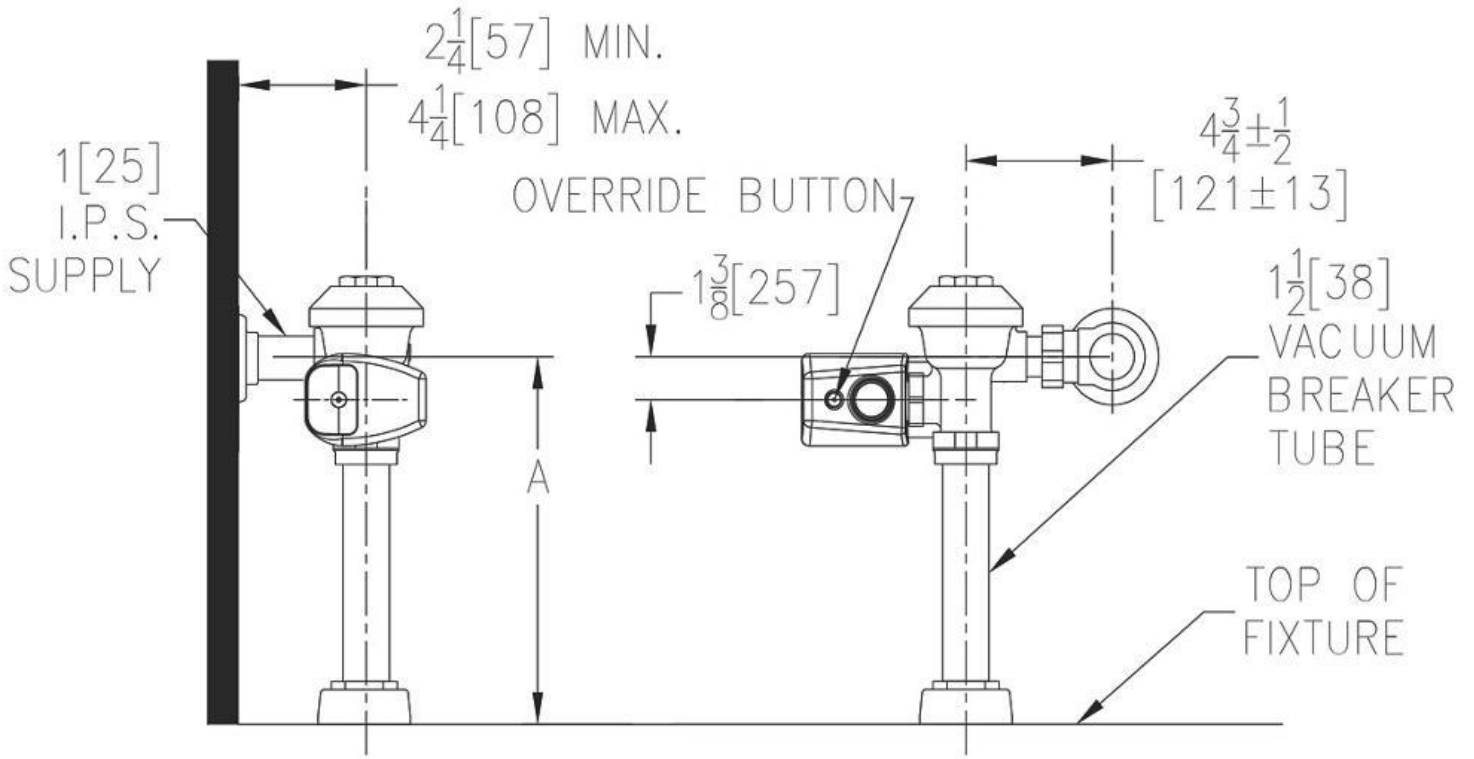
⚠ WARNING: Cancer and Reproductive Harm – [www.P65warnings.ca.gov](http://www.P65warnings.ca.gov)  
⚠ ADVERTENCIA: Cáncer y daño reproductivo – [www.P65warnings.ca.gov](http://www.P65warnings.ca.gov)  
⚠ AVERTISSEMENT: Cancer et effets néfastes sur la reproduction – [www.P65warnings.ca.gov](http://www.P65warnings.ca.gov)



# Model(s) ZER6000AV-CPM

AquaVantage® AV Exposed, Sensor Operated, Battery Powered, Flush Valve for Water Closets

TAG



NOTE: All dimensions are for reference only. Do not use for pre-plumbing.

Design and dimensional data (inches and [mm]) are subject to manufacturing tolerances and change without notice.

⚠ WARNING: Cancer and Reproductive Harm - [www.P65warnings.ca.gov](http://www.P65warnings.ca.gov)

⚠ ADVERTENCIA: Cáncer y daño reproductivo - [www.P65warnings.ca.gov](http://www.P65warnings.ca.gov)

⚠ AVERTISSEMENT: Cancer et effets néfastes sur la reproduction - [www.P65warnings.ca.gov](http://www.P65warnings.ca.gov)