



# Model(s) ZEMS6000AV-IS

Hardwired Automatic Sensor Flush Valve Closet with Integral Sensor

TAG

### Architectural/Engineering Specification:

Exposed, quiet diaphragm-type, chrome plated flushometer valve with a polished exterior. Complete with chloramine resistant, dual seal diaphragm with a clog resistant by-pass. The valve incorporates a motor actuator, an integral infrared convergence-type proximity sensor and a manual sensor with capacitive sensing push button override, high impact resistant polycarbonate housing and chrome plated plastic cover with manual override push button and 10 degree angled sensor.

### PRODUCT FEATURES:

- Control Stop has internal siphon-guard protection, sweat solder kit, wall flange with set screw.
- High back pressure Vacuum Breaker with one piece hex coupling nut
- Chloramine resistant Internal seals
- Adjustable tailpiece
- Spud coupling and flange for top spud connection

### VALVE HEIGHT OPTIONS:

	Vacuum Tube Length	Rough-in Height "A"
Standard	8-1/2" [216"]	11-1/2" [292]
-1	13" [330]	16" [406]
-2	21" [533]	24" [610]
-3	24" [610]	27" [686]

### FLOW OPTIONS:

	Flush Volume	*WaterSense Labeled
-ONE**	1.1 gpf	x
-HET**	1.28 gpf	x
-WS1	1.6 gpf	
-Standard	3.5 gpf	

\*\* Not available with triple filter by-pass

### SUFFIX OPTIONS:

-FM12	Floor Mount 12" Rough In
-MOB	Manual Over-ride Button (Front of Body)
-YJ	Split Ring Pipe Support
-YK	Solid Ring Pipe Support

### POWER OPTIONS:

Power Supply Accessories (Sold Separately)	
-HW6	Hardwired power converter
-MJ	Mini junction box



### Product Compliance:

ADA  
 ASSE 1037/ASME A112.1037/CSA B125.37  
 ASSE 1037  
 CSA B125.37  
 IPC

\*Complies with ADA & ICC A117.1 accessibility requirements when installed according to the requirements outlined in these standards.

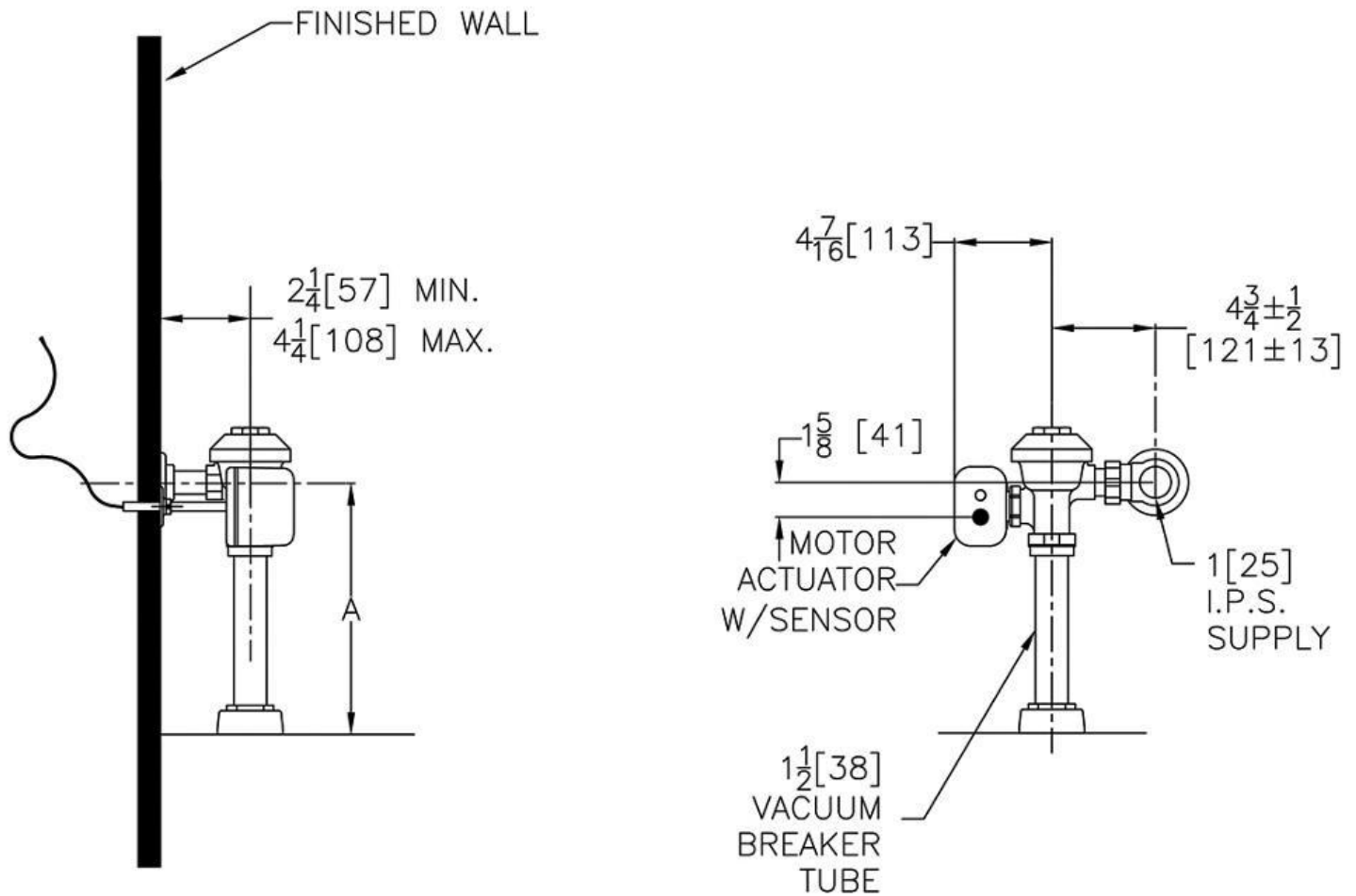
*\*Although products with certain combinations of options and features will meet or comply with these standards and/or certifications, not every combination of options and features will result in such compliance. If you have any questions about your particular product, please contact our Customer Care Dept. at 1-855-ONE-ZURN (United States) or 1-877-892-5216 (Canada) for confirmation.*

[Installation Guide - FV343.pdf](#)

Architectural/Engineering Approval

Design and dimensional data (inches and [mm]) are subject to manufacturing tolerances and change without notice.

⚠ WARNING: Cancer and Reproductive Harm – [www.P65warnings.ca.gov](http://www.P65warnings.ca.gov)  
 ⚠ ADVERTENCIA: Cáncer y daño reproductivo – [www.P65warnings.ca.gov](http://www.P65warnings.ca.gov)  
 ⚠ AVERTISSEMENT: Cancer et effets néfastes sur la reproduction – [www.P65warnings.ca.gov](http://www.P65warnings.ca.gov)



NOTE: All dimensions are for reference only. Do not use for pre-plumbing.

Design and dimensional data (inches and [mm]) are subject to manufacturing tolerances and change without notice.

⚠ WARNING: Cancer and Reproductive Harm – [www.P65warnings.ca.gov](http://www.P65warnings.ca.gov)  
 ⚠ ADVERTENCIA: Cáncer y daño reproductivo – [www.P65warnings.ca.gov](http://www.P65warnings.ca.gov)  
 ⚠ AVERTISSEMENT: Cancer et effets néfastes sur la reproduction – [www.P65warnings.ca.gov](http://www.P65warnings.ca.gov)