

# KS-116-V2

## MEAT SAW

# PRO-CUT<sup>®</sup>

### SPEC SHEET

[www.pro-cut.us](http://www.pro-cut.us)

### STANDARD FEATURES

- Powerful 1½ HP motor
- Hose down washable
- Food grade stainless steel construction
- 220 volts single phase electrical connection
- Robust belt driven transmission
- Razor sharp 116" band-saw blade
- Cuts through all kinds of meats
- Includes last push plate for safety operation
- Cutting clearance 13.4" x 16.7" (W x H)
- Safety proximity magnetic switches
- Includes motor protector
- Includes waste tray
- Disconnect switch for safety maintenance
- Removable wheel and scrap cleaners
- Features adjustable legs



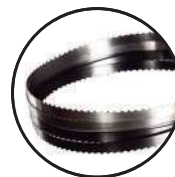
### PRODUCT HIGHLIGHTS



**Stainless steel construction**



**Waste Tray**



**Included accessories**



**Disconnect switch**



**Proximity switch**



**Motor protector**

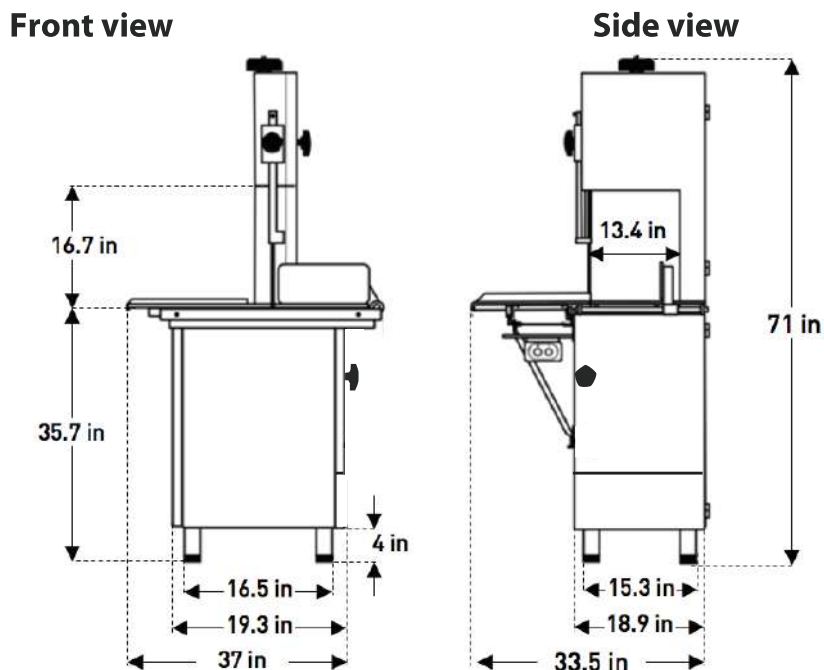


**1 year parts and labor**

### SPEC SHEET

[www.pro-cut.us](http://www.pro-cut.us)

### PLAN VIEW



### TECHNICAL DATA

#### Dimensions

External dimensions (in)	L: 33.5" W: 37" H: 71"
Net weight	365.96 lb (166 kg)
Power cord length	5.9 ft

#### Construction

Body construction	Stainless steel
Bandsaw blade	Steel 1075

#### Logistic data

Max number of SKU per pallet	1
Shipping dimensions per unit	L: 34" W: 38" H: 79"
Shipping weight per unit	461 lbs
Shipping dimensions full pallet	L: 34" W: 38" H: 79"
Shipping weight full pallet	461 lbs
Freight class	110

#### Electrical data

Motor	1.5 HP
Volts / Frequency	220 Vac / 60 Hz
Amps	11.5
Watts	1100
Phase	1
Type of plug (NEMA)	NA

#### Performance

Work area	930 in <sup>2</sup>
Throat width	13.4 in
Throat height	16.7 in
Blade speed	52 ft / s velocity band saw
Saw length	116 in

#### Accessories

Band saw (CBT)	
CBT-322-116-5/8"	Heat tempered - 3TPI - 116" length - 5/8" width

L: Length W: Width H: Height