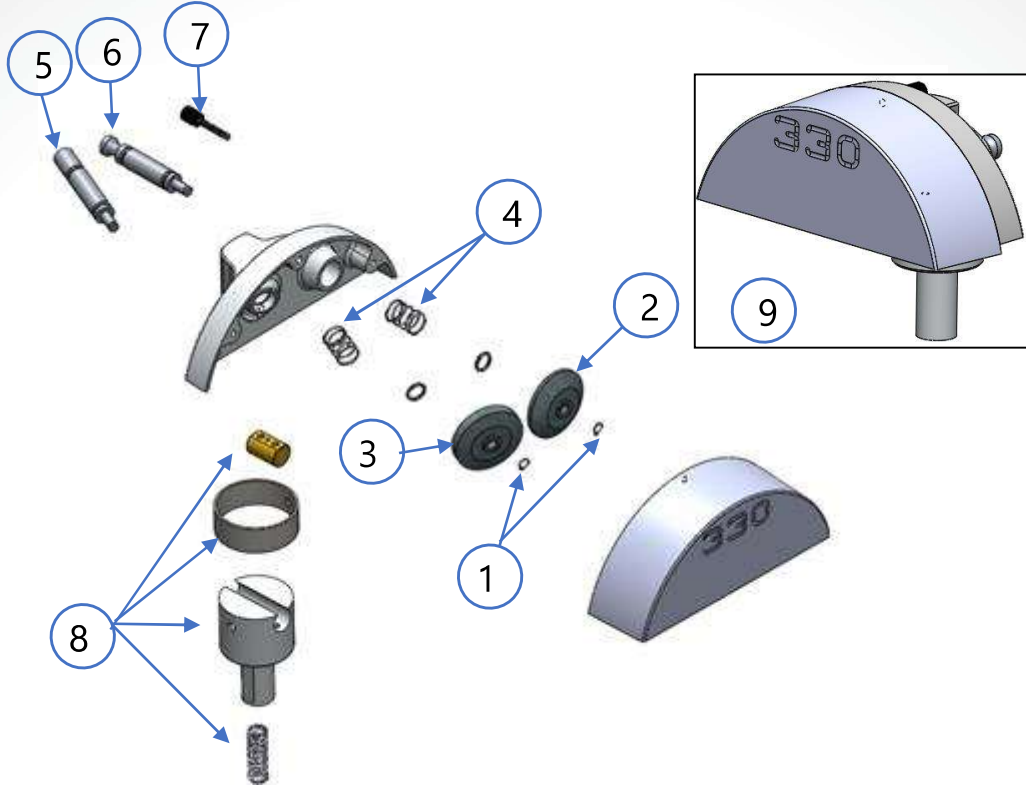


SPARE PARTS MANUAL

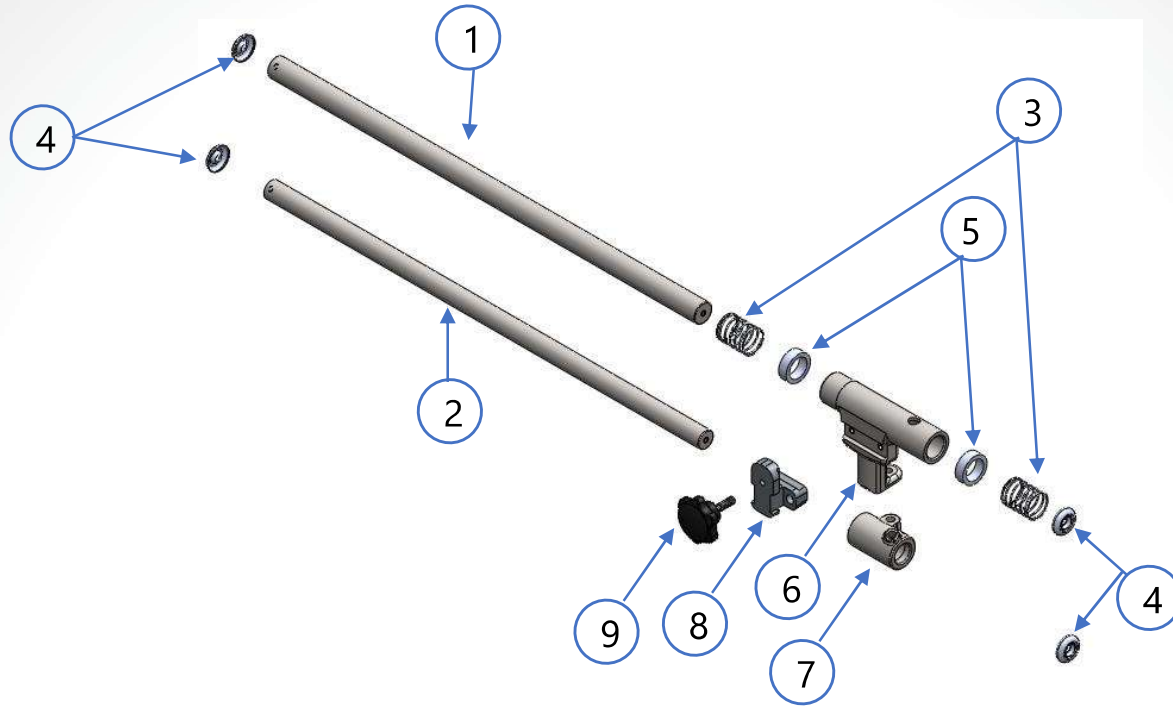
Page 01
KMS-13
Section: Sharpener System



ITEM	CODE	DESCRIPTION
1	M500280	SHAFT RETAINER # 5133-31
2	M570541	TRUING WHEEL ASSY (R-300VA) (REF 96)
3	M570542	WHETSTONE AND BRONZE BUSHING KMS-KAMS
4	M501544	SPRING FOR SHAFT OF SHARPENER (KMS-KAMS)
5	M570136	SHAFT GRINDING WHEEL (KMS-KAMS)
6	M570134	SHAFT TRUING WHEEL (KMS-KAMS)
7	M572990	SHARPENER KNOB (KMS, KAMS)
8	M572397	SHARPENER SUPPORT ASSY. (KMS13)
9	M572398	SHARPENER ASSY. (KMS13)

SPARE PARTS MANUAL

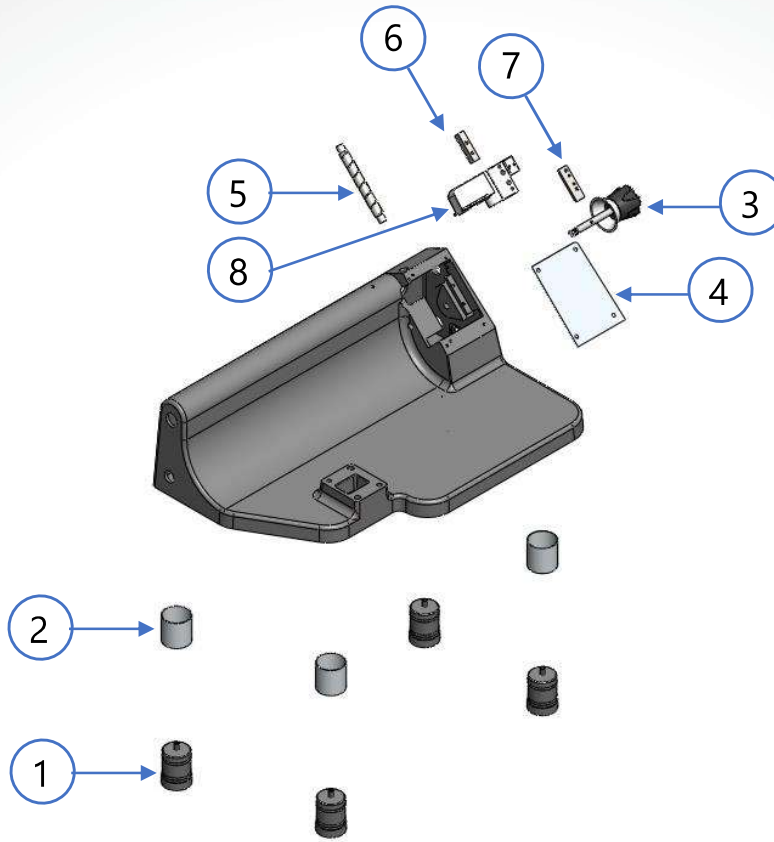
Page 02
KMS-13
Section: Bushing System



ITEM	CODE	DESCRIPTION
1	M572403	UPPER CARRIAGE BUSHING SLIDE ROD (KMS13)
2	M572402	LOWER CARRIAGE BUSHING SLIDE ROD (KMS13)
3	M501543	SPRING BUMPER (KMS-KAMS)
4	M571948	FORM WASHER & BOLT
5	M500336	RUBBER BUMPER
6	M570344	UPPER CARRIAGE BUSHING
7	M570341	LOWER CARRIAGE BUSHING
8	M572404	SUPPORT FOR CARRIAGE SUPPORT KIT (KMS13)
9	M506930	KNOB FOR CARRIAGE SUPPORT

SPARE PARTS MANUAL

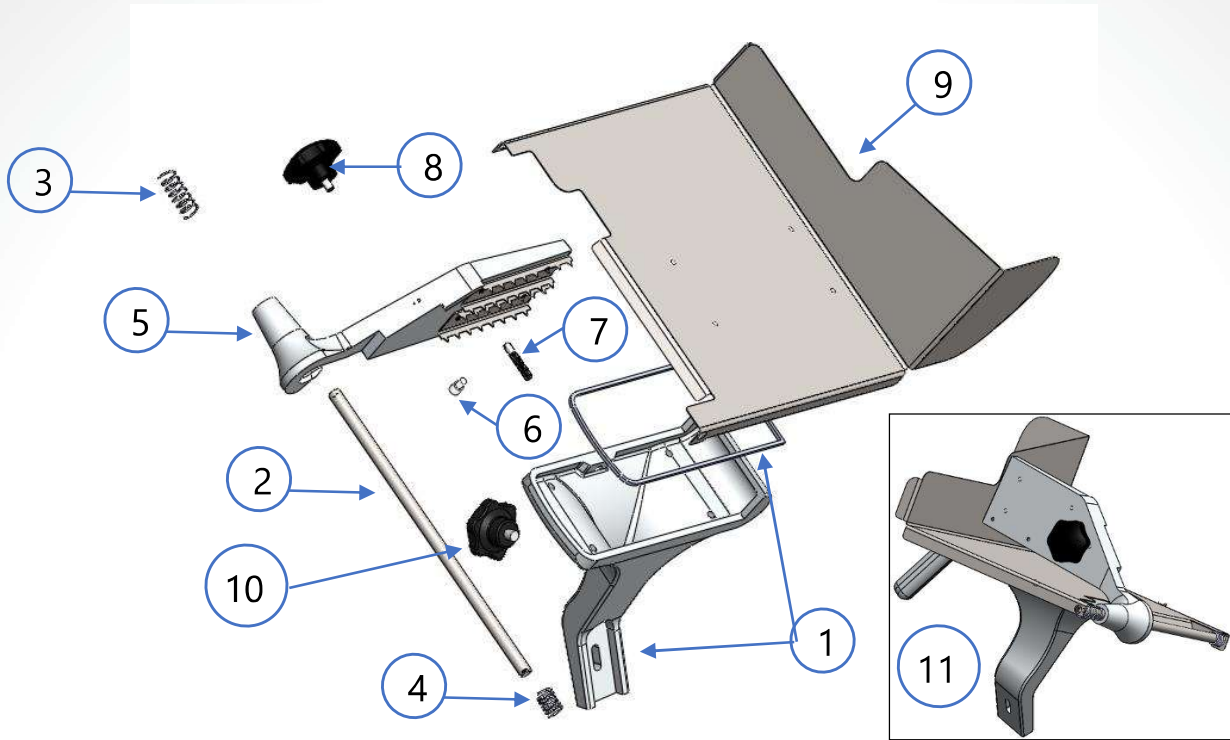
Page 03
KMS-13
Section: Chassis



ITEM	CODE	DESCRIPTION
1	M503465	RUBBER FOOT (KMS12)
2	M574769	TUBE (ALUMINUM)
3	M502208	INDEXING KNOB (KMS)
4	M571937	MECHANISM COVER (KMS)
5	M570156	GAUGE GUIDE BOLT (KMS)
6	M570131	RACK (R-300A)
7	M572400	LEVELING PLATE (KMS13) & BOLTS
8	M571423	INDEXING REGULATOR (KMS)

SPARE PARTS MANUAL

Page 04
KMS-13
Section: Carriage



ITEM	CODE	DESCRIPTION
1	M572392	CARRIAGE SUPPORT (KMS13)
2	M570184	BARRA DEL PISON(R300A,RB300,330)(REF 96)
3	M501550	UPPER SPRING
4	M501545	LOWER SPRING
5	M571424	MEAT GRIP (KDS12)
6	M500332	BUMPER (NYLON)
7	M570152	MEAT GRIP SCREW HOLDER (KMS)
8	M500092	KNOB 3/8" (R-300A, RB-250\300) (REF 96)
9	M572393	CARRIAGE ASSY. (KMS13)
10	M506930	KNOB FOR CARRIAGE SUPPORT
11	M572393	CARRIAGE ASSY. (KMS13)

SPARE PARTS MANUAL

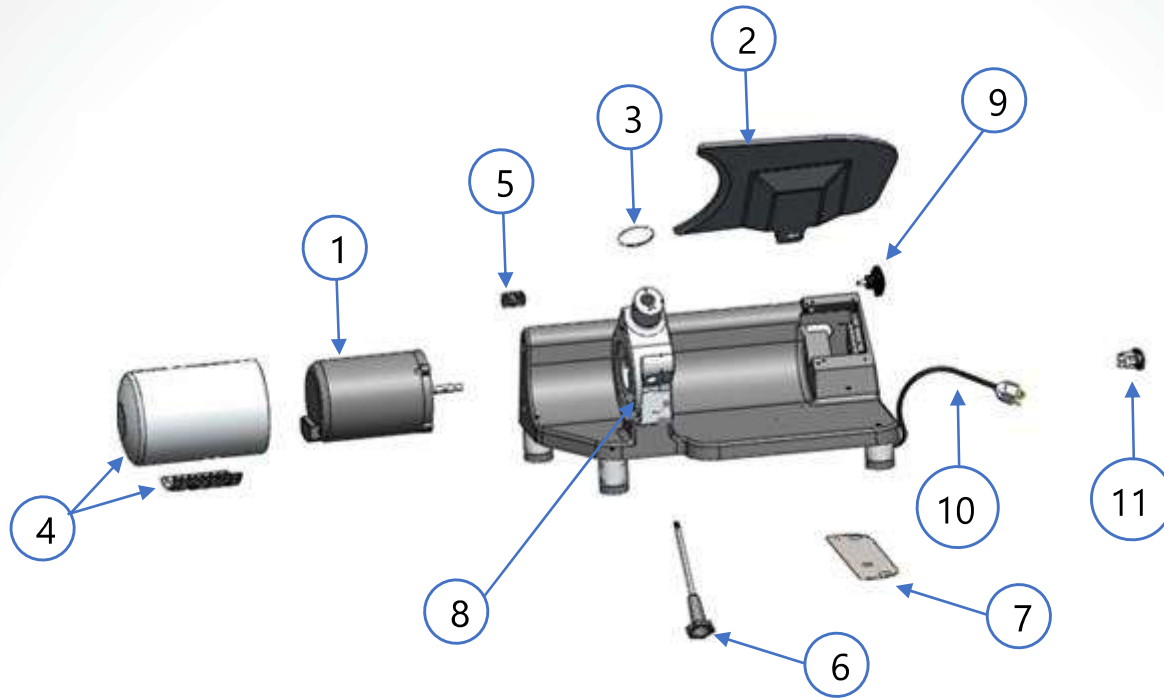
Page 05
KMS-13
Section: Cutting System



ITEM	CODE	DESCRIPTION
1	M530862	PLATE (KMS13)
2	M506822	KNIFE (330mm)
3	M572395	KNIFE GUARD KIT (KMS13)
4	M571138	BEARING HOUSING (KMS13-KAMS)

SPARE PARTS MANUAL

Page 05
KMS-13
Section: Motor System



ITEM	CODE	DESCRIPTION	HP	VOLTAGE	PHASES	HZ
1	M500114	1/3HP MOTOR SINGLEPHASE 110/220V 50/60Hz	1/3	110	1	60

ITEM	CODE	DESCRIPTION
2	M530860	GAUGE PLATE (KMS13)
3	M570551	FELT
4	M573213	MOTOR GUARD ASSY (KMS)
5	M572239	WORM, KEY & NUT (KMS, KAMS)
6	M532908	PLATE KNOB (KMS, KAMS)
7	M572406	GROMMET PLATE
8	M571938	TRANSSMISION BOX KIT (KMS, KAMS)
9	M570778	SHARPENER SUPPORT KNOB (KMS)
10	M500155	POWER CORD SINGLE PHASE (UL)
11	M503481	SWITCH 0401/TTR RED B142/GREEN B143 (R300A,RB250,RB300,SS275,LM,LP)