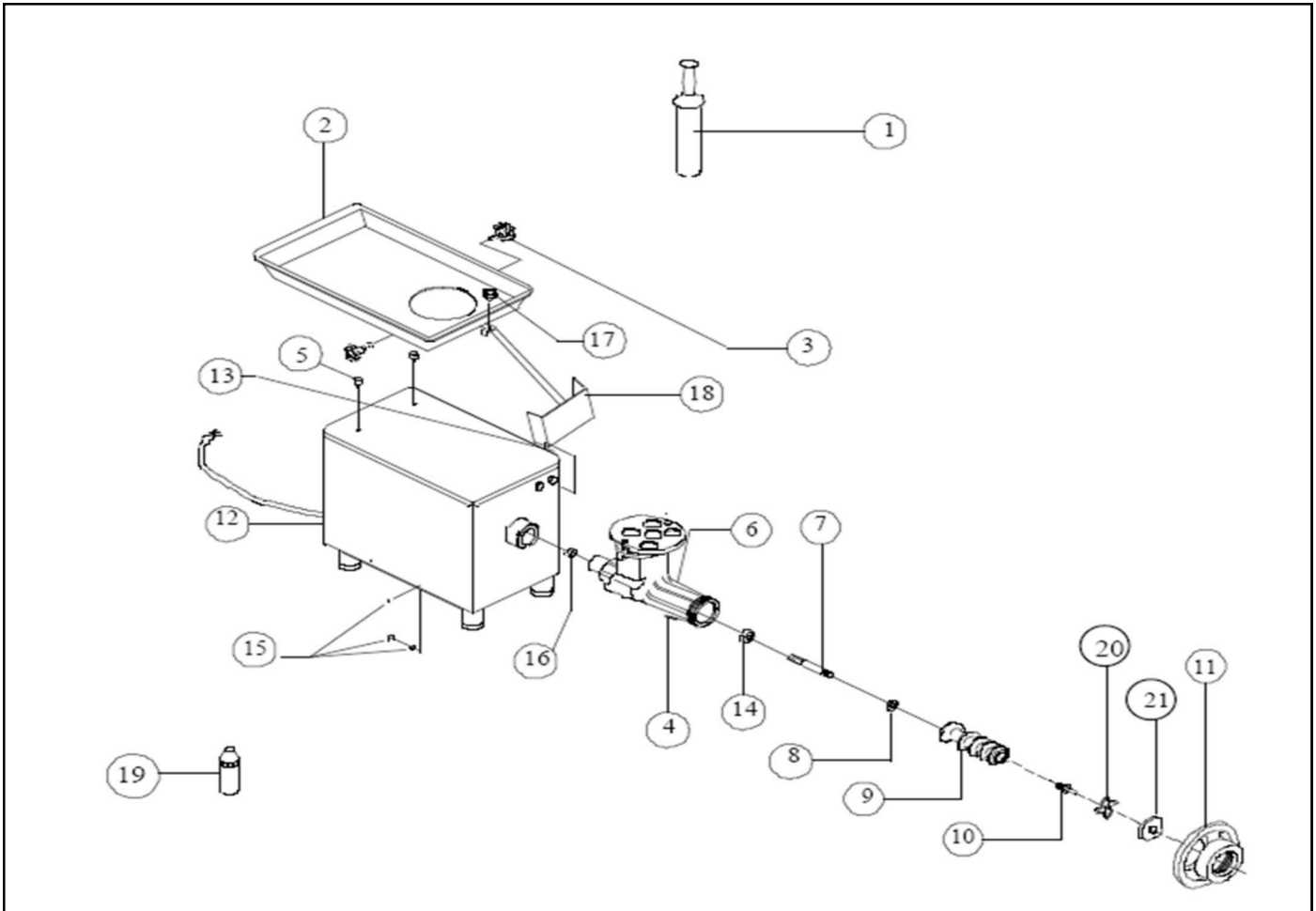
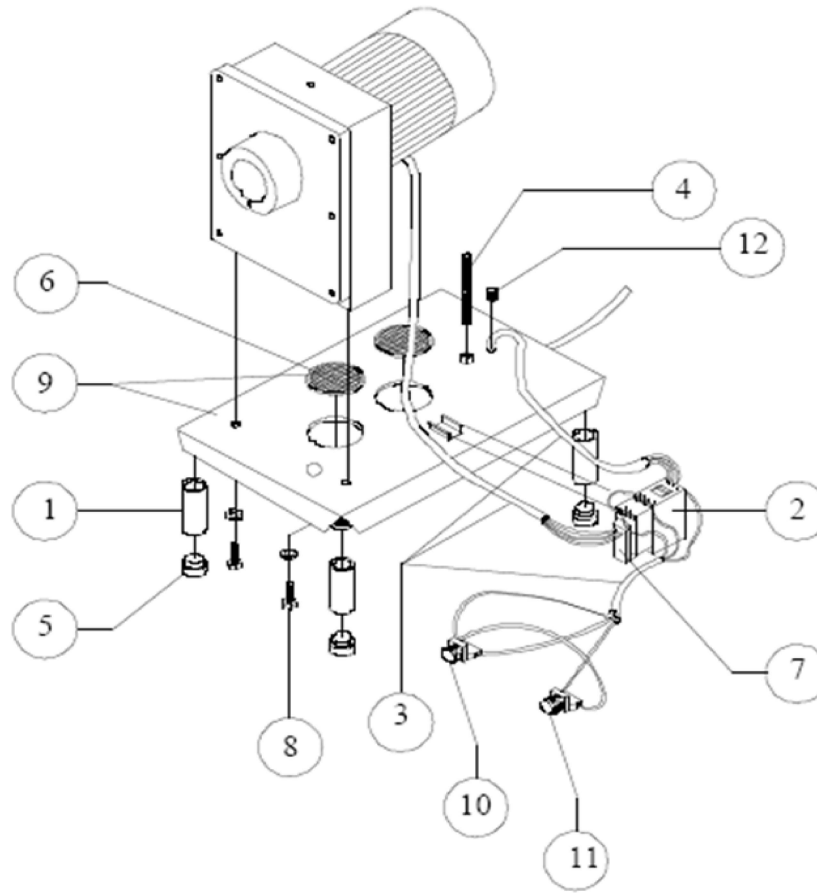


No.	CODE	DESCRIPTION	QTY.	S.I./100
1	M503169	MOTOR 3HP,T,230/440,4P,50/60,C,LEE132004	1	2
2	M500187	SEAL # 11081	1	4
3	M570496	GEAR BOX KIT	1	2
4	M501141	SEAL #13547	1	2
5	M571912	GEAR COVER KIT	1	2
6	M500147	GASKET	1	4
7	M500890	PIN 1/4" x 1 3/4" S.S.	2	2
*8	M571913	SQUARE GEAR KIT 60 HZ	1	2
9	M570222	DOUBLE ROD GEAR 60HZ	1	2
10	M570223	GEAR (PINION)	1	2
11	M570224	GEAR (FLAT)	1	2
12	M500297	WOODRUFF KEY #606-9 (3/16 X 3/4")	1	2
13		Comes with motor	1	2
14	M500329	SQUARE GEAR PLUG	1	2
15		Not manufactured	4	2
16		Not manufactured	6	2
17	M570526	HEADSTOCK KNOB	1	2
18		Not manufactured	4	2
19		Not manufactured	4	2
20		Not manufactured	6	2
21	M570396	BRONZE BUSHING	1	2
22	M570394	BRONZE BUSHING	2	2
23	M501145	PIN 3/8" X 1" S.S.	1	2
	M571045	GEAR KIT, 60 HZ, INCLUDES ITEMS 8 TO 14	1	1



No.	CODE	DESCRIPTION	QTY.	S.I./100
1	M501607	STOMPER	1	10
2	M572575	TRAY SS (FOR STRAIGHT HEADSTOCK)	1	2
3	M570422	KNOB	2	2
4	M570229	PIN SS 1/4" X 1 1/2"	1	20
5	M530335	RUBBER BUMPER	2	4
6	M572588	HEADSTOCK STRAIGHT KIT, INC ITEMS 6,16,17,18	1	2
7	M570207	REAR ROD (REF 96)	1	2
*8	M501451	WASHER: DUPONT ZYTEL#101	1	100
9	M572560	FEED SCREW (WORM) STRAIGHT KIT, INC ITEMS 7-10	1	2
10	M570203	FRONT ROD (REF 97)	1	10
11	M570386	HEADSTOCK RING	1	2
12	M571312	CABINET & THERMIC-ISOLATING ASSY	1	2
13	M501259	WARNING DECAL	1	2
14	M570391	BRONZE WASHER	1	2
15		Not manufactured	8	8
16	M572574	BRONZE BUSHING (FOR HEADSTOCK)	1	2
17	M572573	KNOB (FOR SLIDING)	1	2
18	M572577	SPLASH GUARD(SIDING ASSEMBLY)	1	2
19	M501572	FDA. APPROVED GREASE. 50 GRS	1	2
20	M332232	GRINDER KNIFE(SEE NLV 32)	1	40
21	M341323	GRINDER PLATE (SEE X-CD-32-3/16)	1	20
	M572588	HEADSTOCK STRAIGHT KIT, INC ITEMS 6,16,17,& 18	1	2
	M572560	FEED SCREW (WORM) INC ITEMS 7-10	1	4



No.	CODE	DESCRIPTION	QTY.	S.I./100
1	M571407	ALUMINUM LEG 4 3/4"	4	2
2	M502251	CONTACTOR SPRECHER CA7-12-10-208 240V	1	2
3	M572708	POWER CORD 10AWG KIT	1	2
4	M571154	MOTOR SUPPORT SCREW	1	2
5	M500333	RUBBER PLUG PAD	4	4
6	M500325	BASE LID	2	2
7	M502258	THERMAL RELAY SPRECHER CT7-24-16(10-16) 220V	1	2
8		Not manufactured	2	2
*9		BASE not manufactured	1	2
10	M502264	ON BUTTON (GREEN)	1	2
11	M502263	OFF BUTTON (RED)	1	2
12	M501367	FROMMET 8L-1	1	2
	M571550	SWITCH KIT 220V, INC ITEMS 2,7,10, & 11	1	1