



# Breader/Blender/Sifter

SPECIFICATION

The AyrKing **BBSUL3134** the BBS Flex is the ultimate in flexible workflow, incorporating all of the features of our popular Breader Blender Sifter model, but in a more easily customizable form. The BBS Flex is purpose-built for custom configuration on site to meet varying workflow processes. The modular design makes it even easier to add, remove, or reconfigure components and accessories to suit any food prep process, even from shift to shift. And the larger sifting chamber can handle more breadings per sifting cycle. In just seconds, adapt the BBS Flex to fit employee height or workflow direction. Shelf placement, lug or breadings pan height, and dip pot/pan heights are all quickly adjustable.



## ADVANTAGES

- ◆ Sift and blend 30 lbs (14 kg) of breadings in 60 seconds
- ◆ Rotary auger brush blends, sifts, and ejects dough balls simultaneously
- ◆ Blending brush action prevents ingredient segregation, unlike vibrating or agitating systems
- ◆ Quiet, vibration-free operation creates results, not disturbances
- ◆ Sixty second timed cycle frees labor and saves energy
- ◆ Fully enclosed sifter with only three internal parts, reduces dust and allows quick and easy cleaning
- ◆ Direct drive, steel geared motor & solid stainless steel fabrication provide lasting performance
- ◆ Storage space for optional third breadings lug

## INCLUDED ACCESSORIES

- B101S** Red Silicone Lug Plug (Qty. 2)
- B104** S/S Dough Ball Pan
- B122** S/S Wire, Round Dip Basket
- B123** S/S Round Dip Pot
- B128** S/S 2/3 Size Pan
- B150S** Black Bristle 20" Sifter Brush
- B302** White Plastic Breadings Lug w/ Hole, 7.75" deep (Qty. 2)
- B325** White Plastic Lug Cover
- B441** Swivel Casters, Leg Set
- B700** Breadings Lug Holder
- B701** S/S Brush Cover 20"
- B702** 20" Sifter Screen
- B711** S/S Backpanel
- B714** Back Lug Frame

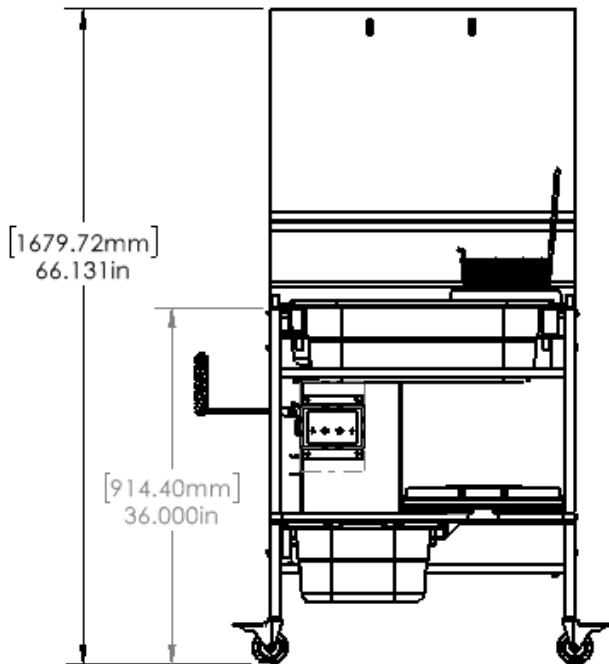
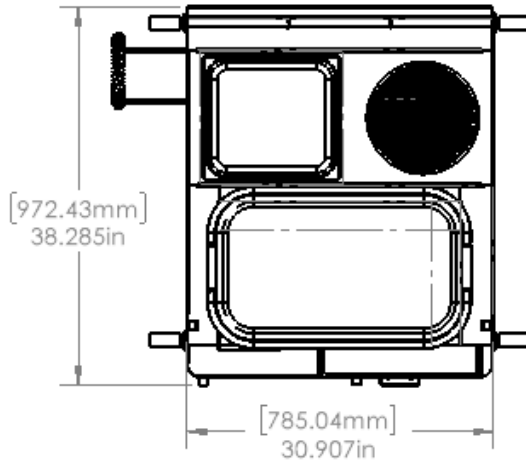
## OPTIONAL ACCESSORIES

- B126** S/S Wire, Rectangular Coatings Basket
- B420** S/S Bun Pan Rack
- B652** Ice Bath Drawer Guide
- B734** S/S Side Shelf
- B734H** S/S Side Shelf w/ Hole

## MODELS

**BBSUL3134**

| MODELS           | CRATED MEASUREMENTS |             |             |               | UNCRATED       |
|------------------|---------------------|-------------|-------------|---------------|----------------|
|                  | LENGTH              | WIDTH       | HEIGHT      | WEIGHT        | WEIGHT         |
| <b>BBSUL3134</b> | 39" (991mm)         | 35" (889mm) | 36" (914mm) | 235lb (107kg) | 225 lb (102kg) |



## ELECTRICAL

Timed control board automatically senses voltage & operates at either:

**115V**, 50/60Hz, 1 phase, 2.3 AMP, 184W

**230V**, 50/60Hz, 1 phase, 1.2 AMP, 207W

Includes universal male three prong, recessed AC receptacle

(IEC 320 C13) mating to an 10 foot (3048mm) cord with NEMA 5-15P male three prong plug

## WARRANTY

One Year Parts

Ninety Days Labor

No Travel Time



2013 Cobalt Drive  
Louisville, KY 40299-2417

502.266.6270 | [ayrking.com](http://ayrking.com)

