

# Installation and Operation Manual

# Glastender®

A Family Company Manufacturing  
In The USA Since 1969

## LIGHTED LIQUOR DISPLAYS\*

LLD2, LLD3, LLDG

**\*This manual is specific to Lighted Liquor Displays  
manufactured on July 15, 2020 and after**



LLD2



LLD3



LLDG

Glastender, Inc. · 5400 North Michigan Road · Saginaw, MI · 48604-9780  
800.748.0423 · 989.752.4275 · Fax 989.752.4444 · <https://glastender.com>



# Index

Introduction.....	2
Electrical.....	2
Uncrating and Start-Up Instructions .....	2
Changing an LED Lamp.....	2
Cleaning Instructions.....	2
Important Safety Instructions.....	3
Wiring Diagrams.....	4

**For replacement part information, visit:  
<https://www.glastender.com/support/parts>**

## **IMPORTANT!!**

No labor warranty. One year parts warranty only. If any issues occur, contact the factory immediately for assistance at 800.748.0423, 8AM to 5PM EST, Monday through Friday.

# Introduction



Please review all the information in this manual before installation and operation. Long term, trouble-free service will follow if good housekeeping and maintenance procedures are followed. Thank you for selecting Glastender, Inc. products.

## Electrical

**Electrical:** 115 Volt AC, 1 Phase, 60 Hz, less than 2 Full Load Amps. A 6-foot grounded cord is included.

## Uncrating and Start-Up Instructions

1. Unwrap power cord.
2. Position the Lighted Liquor Display.
3. Plug into 115 volt AC outlet.
4. Turn power switch on.
5. If model features adjustable multi-color LED, turn knob on power cord side to desired color or automatic color scroll.
6. Your Glastender Lighted Liquor Display is now ready for use.

## Changing a LED Lamp

1. Disconnect the electrical power.
2. Flip the unit onto its backside.
3. Unscrew and remove the base assembly.
4. Disconnect both ends of lamp being replaced.
5. Unscrew both metal clamps and any cable clamps holding the lamp in place.
6. Remove old lamp.
7. Connect both ends of the new lamp and position it on top of stand.
8. Reattach cable clamps and metal clamps
9. Slide the base assembly back into the unit and secure with screws.

## Cleaning Instructions

Cleaning is essential to sustaining the integrity of your equipment and preventing corrosion.

### PROCEDURE:

1. Disconnect the electrical power.
2. Use a non-chlorine based cleaner or mild detergent and warm water applied with a soft cloth or sponge.
3. Immediately wipe off cleaning agent(s), using clean warm water, clean soft cloth or sponge.
4. Dry with a soft clean cloth as soon as possible.

### NOTES:

1. Never use hydrochloric acid, wire brushes, steel wool, scrapers, or chlorine based cleaners on stainless steel surfaces, since they will break down the passivity layer and allow corrosion to occur.
2. On stainless steel surfaces, you may use a soft bristle brush or Scotch-Brite® pad for more stubborn stains. Always scrub with the direction of the grain. Follow with a thorough cleaning as described above.
3. Hard water deposits will rust stainless steel, if not removed.
4. Repeated cleaning may dry up black-vinyl-clad steel. Armor All® or similar product can bring back the shine. Apply the product to a cloth and then rub into the surface, rather than spraying it directly onto the black-vinyl-clad surface.

**Glastender.**

Glastender, Inc. • 5400 North Michigan Road • Saginaw, MI • 48604-9780  
800.748.0423 • 989.752.4275 • Fax 989.752.4444 • <https://glastender.com>

# Important Safety Instructions

## Save These Instructions

Read all instructions before using this device.

When using a lighted liquor display, basic precautions should always be followed, including the following:

**DANGER** - To reduce the risk of electric shock:

1. Always unplug this device from the electrical outlet before cleaning or servicing.

**WARNING** - To reduce the risk of burns, fire, electric shock or injury to persons:

1. Unplug from outlet before changing LED assemblies, or otherwise servicing.
2. Use this device only for its intended use as described in these instructions.
3. Never operate this device if it has a damaged cord or plug, if it is not working properly, if it has been dropped or damaged, or if it has been saturated with liquid. Contact the factory for return authorization and repair options.
5. To disconnect, turn unit off then remove the plug from outlet.
6. Keep cord away from heated surfaces.
7. Do not use outdoors.

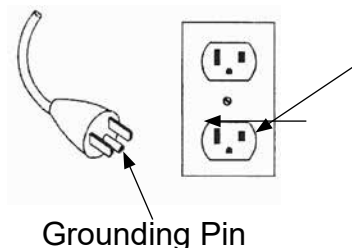
**WARNING** - Risk of electrical shock – connect this furnishing to a properly grounded outlet only. See Grounding Instructions.

## Grounding Instructions

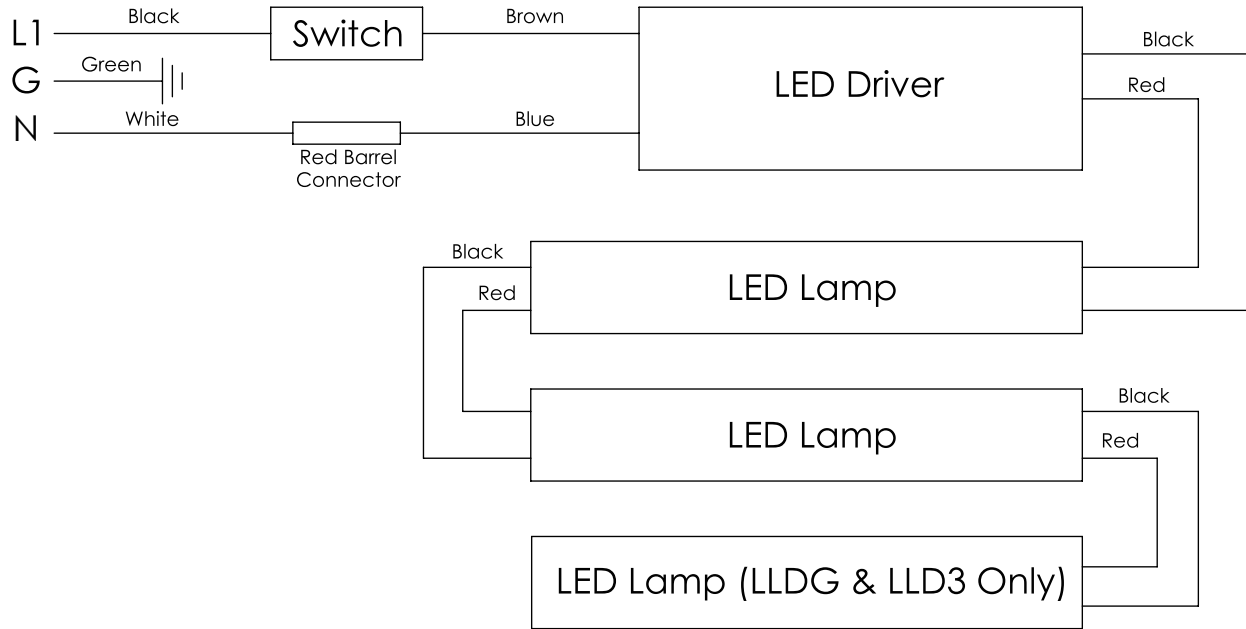
This product must be grounded. If it should malfunction or breakdown, grounding provides a path of least resistance for electric current to reduce the risk of electric shock. This product is equipped with a cord having an equipment-grounding conductor and a grounding plug. The plug must be plugged into an appropriate outlet that is properly installed and grounded in accordance with all local codes and ordinances.

**DANGER** - Improper connection of the equipment-grounding conductor can result in a risk of electric shock. Check with a qualified electrician or serviceman if you are in doubt as to whether the product is properly grounded. Do not modify the plug provided with the product - if it will not fit the outlet, have a proper outlet installed by a qualified electrician.

This product is for use on a nominal 120-volt circuit and has a 3-prong grounding plug. Make sure that the product is connected to an outlet having the same 3-prong configuration as the plug. No adapter should be used with this product.



# Wiring Diagram for Bright & Warm White LED Lights



# Wiring Diagram for Multi-Color LED Lights

