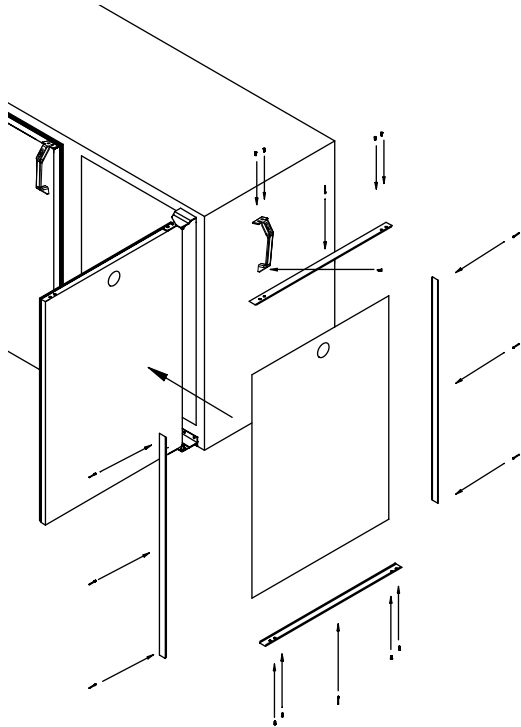


Project: _____	AIA# _____
Item #: _____ Qty: _____	SIS# _____
Model #: _____	

**Laminated Cooler & Froster
 Door and Drawer Details
 January 2025 and After**



Glastender front serviced coolers, side serviced coolers, and frosters can be supplied with unlaminated doors and drawers.

Unlaminated cooler doors and drawers consist of a galvanized door on to which the laminate is glued in the field. Special black vinyl frame plates are supplied by the factory to attach to the outer edge of the cooler door or drawer on all four sides to protect the laminate edge.

The field lamination instructions are illustrated in the detail to the left. The width and height dimensions for the laminate can be found on pages 2 and 3.

Cooler Door Field Lamination Instructions

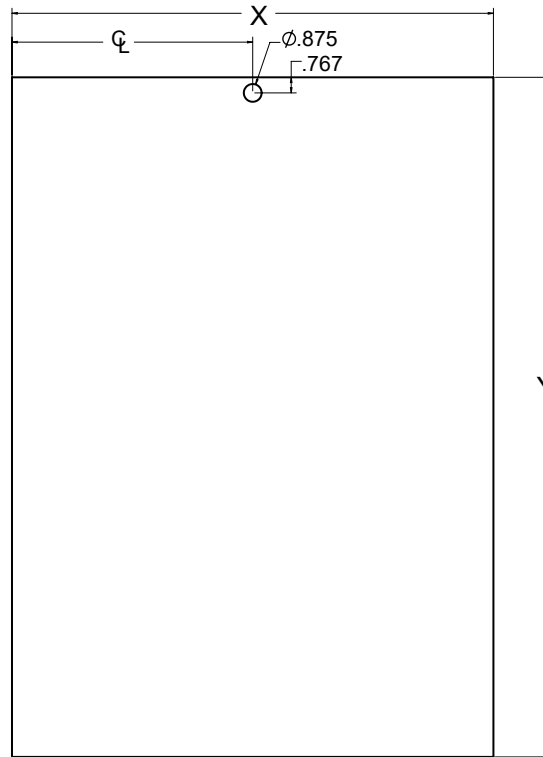
1. Remove the unlaminated door from the cooler by removing the screws from the top hinge. The door can then tilt out from under the hinge and be lifted up off the bottom hinge bracket.
2. Remove the bottom hinge and door handle.
3. Glue the laminate to the unlaminated door. Any laminate edges that overhang the galvanized door must be routed off.
4. Mount the black frame plates to the door using the pop rivets provided. The bottom hinge and door handle should be mounted at this time as well. Do not mount the top hinge or the screws that secure that part of the frame plate at this time.
5. Set the bottom hinge pin of the laminated door into the bottom hinge bracket. Be sure to use the plastic spacer washers provided for the upper and lower hinge pins.
6. Place the top hinge on the top hinge bracket pin and then position the door beneath the hinge to align with mounting holes.
7. Fasten the top hinge to the laminated door and the installation is complete.

Glastender, Inc. • 5400 N Michigan Rd • Saginaw, MI • 48604-9780 989.752.4275 • 800.748.0423 • Fax 989.752.4444 www.glastender.com	Approval/Notes:
<small>Specifications subject to change without notice. For current specifications please visit our website.</small>	

Laminated Cooler & Froster Door Details January 2025 and After

Dimensional Information

MODEL	DOOR WIDTH (X)	DOOR HEIGHT (Y)
C1SB20, C1SB36, F1SB36, C2SB36	15-11/16"	33-7/16"
C1SL36, F1SL36	15-11/16"	27-9/16"
C1SB24, F1SB24	20-3/16"	33-7/16"
C1SL24, F1SL24	20-3/16"	27-9/16"
C1FB36, C1FB60, C1FB84, C1FB108, C2FB60, C2FB84, C2FB108, CP1FB36, CP1FB60, CP1FB84, C1RB24, C1RB48, C1RB72, C1RB96, CP1RB24, CP1RB48, CP1RB72, C1SB28, CS1FB60, CS1FB84, F1SB28, F1FB36	23-11/16"	33-7/16"
C1FL36, C1FL60, C1FL84, C1FL108, CP1FL36, CP1FL60, CP1FL84, C1RL24, C1RL48, C1RL72, C1RL96, CP1RL24, CP1RL48, CP1RL72, C1SL28, F1SL28, F1FL36	23-11/16"	27-9/16"
C1FB32, C1FB52, C1FB72, C1FB92, C2FB52, C2FB72, C2FB92, CP1FB32, CP1FB52, CP1FB72, C1RB40, C1RB60, C1RB80, CP1RB40, CP1RB60, CS1RB40, CS1RB60, CS1RB80, C1SB44, F1SB44, C2SB44, CS1FB52, CS1FB72, F1FB32	19-11/16"	33-7/16"
C1FL32, C1FL52, C1FL72, C1FL92, CP1FL32, CP1FL52, CP1FL72, C1RL40, C1RL60, C1RL80, CP1RL40, CP1RL60, C1SL44, F1FL32, F1SL44	19-11/16"	27-9/16"
C1SB48, F1SB48, C2SB48	21-11/16"	33-7/16"
C1SL48, F1SL48	21-11/16"	27-9/16"

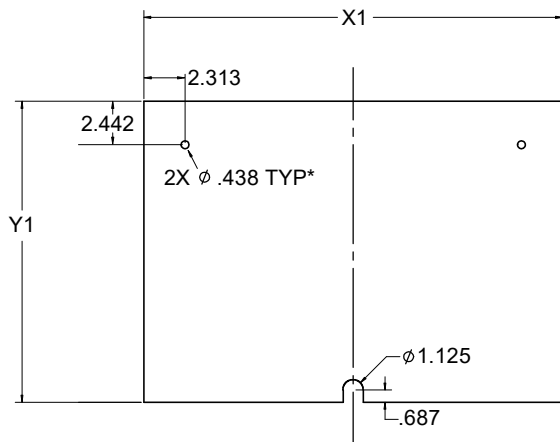


Laminated Cooler & Froster Drawer Details January 2025 and After

Dimensional Information

MODEL	UPPER DRAWER WIDTH (X1)	UPPER DRAWER HEIGHT (Y1)	LOWER DRAWER WIDTH (X2)	LOWER DRAWER HEIGHT (Y2)
C1FB36, C1FB60, C1FB84, C1FB108, C1SB28, F1FB36, F1SB28	23.530"	16.910"	23.530"	15.910"
C1SL28, F1SL28	23.530"	13.972"	23.530"	12.972"
C1SB48, C2SB48, F1SB48	21.530"	16.910"	21.530"	15.910"
C1SL48, F1SL48	21.530"	13.972"	21.530"	12.972"
C1SB24, F1SB24	21.030"	16.910"	21.030"	15.910"
C1SL24, F1SL24	21.030"	13.972"	21.030"	12.972"
C1SB44, C1FB32, C2SB44, F1SB44	19.530"	16.910"	19.530"	15.910"
C1SL44, F1SL44	19.530"	13.972"	19.530"	12.972"
C1SB20, C1SB36, C2SB36, F1SB36	15.530"	16.910"	15.530"	15.910"
C1SL20, C1SL36, F1SL36	15.530"	13.972"	15.530"	12.972"

Tube Handle



Tab Handle

