

SaniServ®



MADE IN USA

MODEL 608



90
SHAKES/HR

GREAT FOR RESTAURANTS AND BARS

The SaniServ® model 608 shake freezer provides smooth quality, high profit shakes anytime, anywhere! Owners and operators can easily add high profit shakes to any menu and provide quality drinks everybody loves! By adding an optional Drink Spinner and a Syrup Rail for flavors, customers can also enjoy a wide flavor offering of quality shake products that keep them coming back for more of their own personal favorites!

MODEL 608



Job: _____

Item No. _____



DESIGNED FOR MEDIUM VOLUME APPLICATIONS

Two - 12 oz. Shakes per Minute - 20 Quart Capacity

Use SaniServ® Model 608 to Create



Dimensions: Width (17") Depth (25.8")
Height (33") Weight (208 lbs)

Electrical Requirements:
115/60/1 = 15 Amps



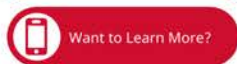
About the 608

Cooling Options



Serving Estimate:
Up to 90 Milkshakes / hr

We reserve the right to change specifications and product designs without notice. Such revisions do not entitle the buyer to corresponding changes, improvements, additions, or replacements for previously purchased equipment.



✓ SPACE SAVING - *Small Footprint Design*

SaniServ® model 608 saves valuable floor space and turns the countertop into a real profit center by serving a large volume of high profit shake beverages.

✓ EASY CLEANING AND OPERATION - *Fewer Parts = Simplified Cleaning*

SaniServ® equipment is designed and built with the fewest parts to be disassembled, cleaned and sanitized than any other machine in the industry. The state of the art solid-state AccuFreeze® control insures product consistency, worry-free operation and customer satisfaction.

✓ HIGH RETURN ON INVESTMENT - *Increased Profits*

SaniServ® machines combine efficiency with consistent product quality and fast, quiet operation while insuring customer satisfaction with high profit ice cream or yogurt products.

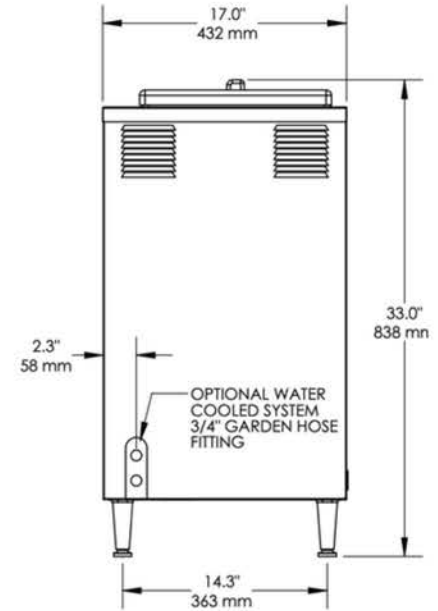
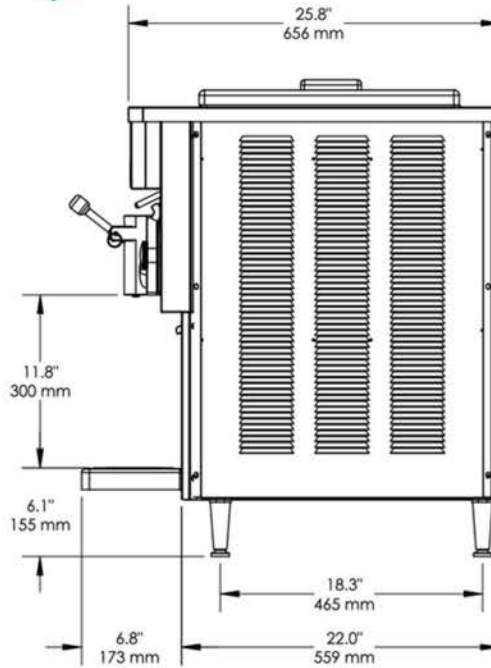
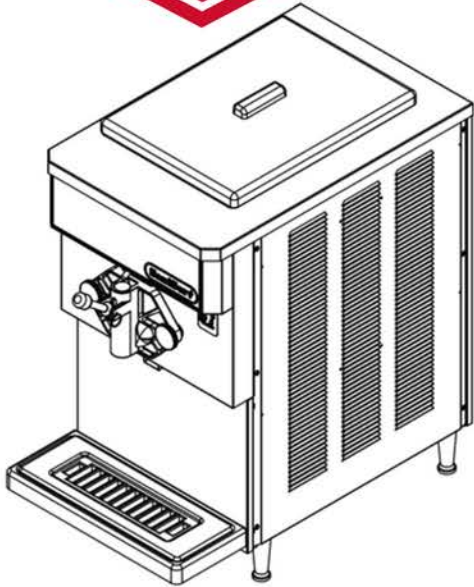
✓ QUALITY DESIGN - *Durability*

SaniServ® machines are built to achieve long and dependable life through simplicity of design. Every machine is shipped standard with a stainless steel exterior, durable steel interior frame construction, heavy-duty components and consistency systems.

MODEL 608

AccuFreeze® CONTROL

Minimum Wall Clearance
Both Sides and Back
6 inches (152 mm)



| ELECTRICAL | | | | WIDTH | HEIGHT | DEPTH | WEIGHT | VOLUME |
|-------------------------|----|-----|------|-------------|-------------|-------------|-----------|-----------------|
| VOLTS | Hz | Ph. | Amps | INCHES (MM) | INCHES (MM) | INCHES (MM) | LBS. (Kg) | CU FT. (cu. m.) |
| 115 | 60 | 1 | 15 | 17 (432) | 33 (838) | 25.8 (656) | 208 (95) | |
| Shipping Specifications | | | | 22.5 (572) | 41 (1042) | 34.5 (876) | 265 (120) | 18.5 (.53) |

SPECIFICATIONS

Cooling System:

Air or Water

Dasher and Compressor

Motors:

1/4 HP Dasher

3/4 HP Compressor

Refrigerator Type:

R404A

Listings:

UL, cUL, NSF

FEATURES

Evaporator and Mix Reservoir

Capacity:

20 Quarts (18.9 liters)

Dasher:

Heavy-Duty Stainless Steel with low friction scraper blades

Controls:

AccuFreeze® solid-state control for accurate product consistency.

Solid State Audio/Visual Mix Out System with Compressor Lockout

WARRANTY

| | |
|------------|---------|
| Parts | 1 year |
| Compressor | 5 years |
| Evaporator | 5 years |

Options:

Drink Spinner
Tune Up Kit
Syrup Rail
Counter Top Mounting Pad
Machine Stand
Water Cooled - 3/4" Garden Hose Fitting
Wash Out Kit - 3/8" Flare Fitting
Export Voltages