

# SaniServ®

## MODEL 407



MADE IN USA



**120**  
CONES/HR

## GREAT FOR

## CAFES, RESTAURANTS, & PRODUCT SAMPLING

The SaniServ® model 407 Soft Serve Freezer is perfect for providing small servings, samplers, and adding a-la-mode to favorite desserts. The 407 is an economical addition to any restaurant with its affordable price and space saving countertop solution. The 407 is always a favorite among operators to supply a limited amount of soft serve ice cream and frozen yogurt products to keep customers coming back for more treats!

# MODEL 407

## TORQUE CONSISTENCY CONTROLS

Job: \_\_\_\_\_

Item No. \_\_\_\_\_



**120**  
CONES/HR

### DESIGNED FOR LOWER VOLUME APPLICATIONS

Two - 4 oz. Servings per Minute - 7 Quart Capacity

#### Use SaniServ® Model 407 to Create



#### About the 407

#### Cooling Options



**Dimensions:** Width (14") Depth (23.7")  
Height (25.4") Weight (145 lbs)

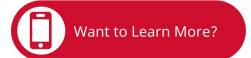
#### Electrical Requirements:

115/60/1 = 15 Amps  
208-230/60/1 = 10 Amps  
220-240/50/1 = 10 Amps (Extended Lead Times)

#### Serving Estimate:

Up to 120 Cones / hr

We reserve the right to change specifications and product designs without notice. Such revisions do not entitle the buyer to corresponding changes, improvements, additions, or replacements for previously purchased equipment.



## ✓ SPACE SAVING - *Small Footprint Design*

SaniServ® model 407 saves valuable floor space and turns the countertop into a real profit center by serving high profit ice cream and yogurt products.

## ✓ EASY CLEANING AND OPERATION - *Fewer Parts = Simplified Cleaning*

SaniServ® equipment is designed and built with the fewest parts to be disassembled, cleaned and sanitized than any other machine in the industry.

## ✓ HIGH RETURN ON INVESTMENT - *Increased Profits*

SaniServ® machines combine efficiency with consistent product quality and fast, quiet operation while insuring customer satisfaction with high profit ice cream or yogurt products.

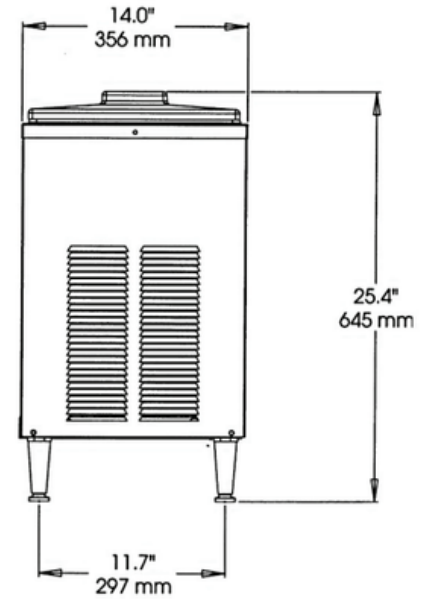
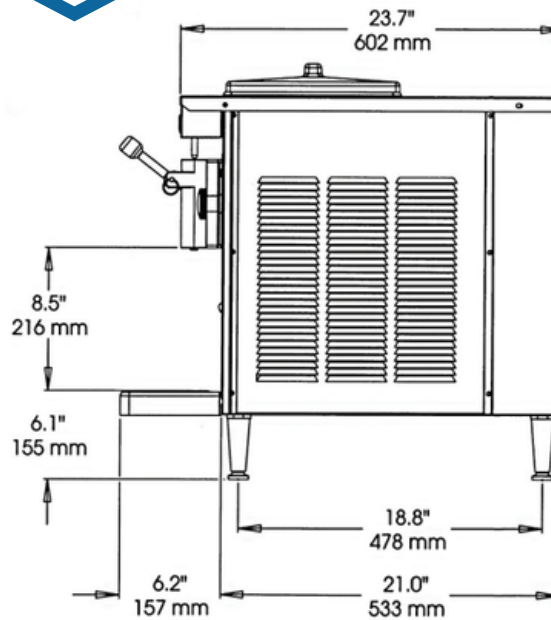
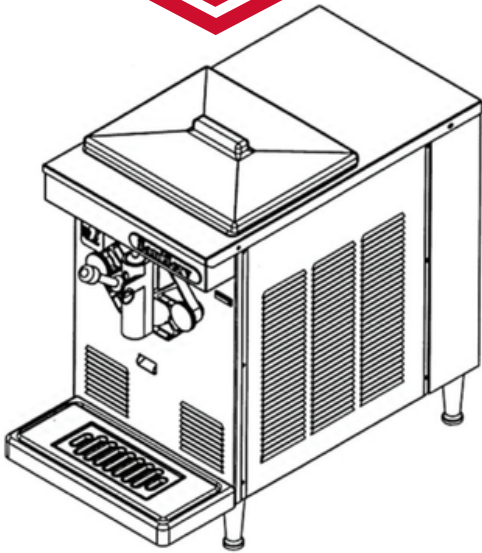
## ✓ QUALITY DESIGN - *Durability*

SaniServ® machines are built to achieve long and dependable life through simplicity of design. Every machine is shipped standard with a stainless steel exterior, durable steel interior frame construction, heavy-duty components and consistency systems.

# MODEL 407

## TORQUE CONSISTENCY CONTROLS

Minimum Wall Clearance  
Both Sides and Back  
6 inches (152 mm)



ELECTRICAL				WIDTH	HEIGHT	DEPTH	WEIGHT	VOLUME
VOLTS	Hz	Ph.	Amps	INCHES (MM)	INCHES (MM)	INCHES (MM)	LBS. (Kg)	CU FT. (cu. m.)
115	60	1	15	14 (356)	25.4 (645)	23.7 (602)	145 (66)	
208-230	60	1	10					
220-240	50	1	10					
Shipping Specifications				22.5 (571)	31.5 (800)	34.5 (876)	195 (89)	8.6 (.25)

## SPECIFICATIONS

### Cooling System:

Air Only

### Dasher and Compressor

#### Motors:

1/2 HP Dasher

1/2 HP Compressor

### Refrigerator Type:

R404A

### Listings:

UL, cUL, NSF

## FEATURES

### Evaporator and Mix Reservoir

#### Capacity:

7 Quarts (9.5 liters)

#### Dasher:

Heavy-Duty Stainless Steel with low friction scraper blades.

#### Controls:

Automatic consistency controls for improved consistency.

### Tamper Proof Automatic Visual Mix Out System

## WARRANTY

#### Parts

1 year

#### Compressor

5 years

#### Evaporator

5 years

#### Options:

Tune Up Kit

Machine Stand

Export Voltages