



Sloan® Sensor Flushometer

SLOAN 8111-1.6-CP

Product description

1.6 gpf, Polished Chrome Finish, Fixture Connection Top Spud, Single Flush, Electrical Override, Battery, Sloan® Exposed Sensor Water Closet Flushometer.

Compliances & Certifications



(ADA Compliant, BAA Compliant, cUPC Certified, IAPMO)

Code 3790011

Finish

 Polished Chrome (CP)

Downloads

- [G2 and ECOS Single Flush Optima Plus Valve Installation Instructions duplicate.pdf](#)
- [Control Stop Repair and Maintenance Guide.pdf](#)
- [Flush Connections Flanges Repair and Maintenance Guide.pdf](#)
- [Additional Downloads](#)

Videos

- [Sloan – Company Overview](#)

Details

- Flush Volume: 1.6 gpf (6.0 lpf)
- Finish: Polished Chrome (CP)
- Power Type: Battery
- Valve: Diaphragm
- Valve Body Material: Semi-red Brass
- Fixture Type: Water Closet
- Fixture Connection: Top Spud
- Rough-in Dimension: 11.5" (292mm)
- Spud Coupling: 1.5" (38mm)
- Supply Pipe: 1" (25mm)
- Override: Electrical

Features

- High chloramine resistant PERMEX® synthetic rubber diaphragm with Linear Filtered Bypass and Vortex Cleansing Action
- Valve body, Cover, Tailpiece and Control Stop shall be in compliance with ASTM Alloy Classification for Semi-Red Brass
- Valve shall be in compliance to the applicable sections of ASSE 1037

Recommended specifications

Valve Body, Cover, Tailpiece and Control Stop shall be in conformance with ASTM Alloy Classification for Semi-Red Brass. Valve shall be in compliance with the applicable sections of ASSE 1037 and ANSI/ASME 112.19.2.

Electrical specifications

Valve Operating Pressure (Flowing)

15-80 psi (103 - 552 kPa). Specific fixtures may require greater minimum flowing pressure - consult manufacturer requirements.

Warranty

[View Warranty Information](#)

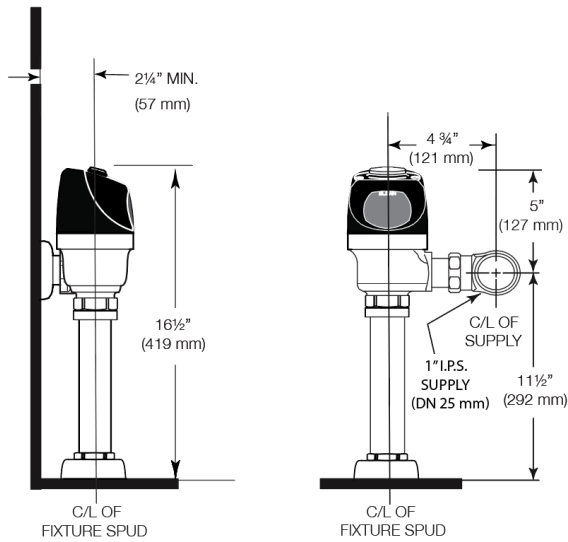
Notes

All information contained within this document subject to change without notice.

Looking for other variations of the SLOAN 8111 product? [View the general spec sheet with all options.](#)

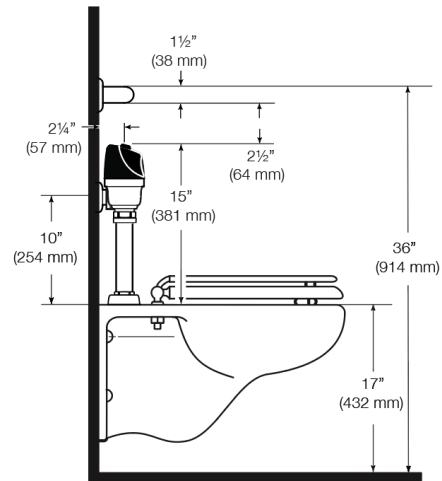
[Find a compatible urinal](#) for this flushometer.

[Find a compatible water closet](#) for this flushometer.



ALTERNATE ADA INSTALLATION

Lower water supply rough-in to 10" (254 mm) and mount grab bar at the 36" (914 mm) maximum allowed height (top of grab bar at 36").



WHEN INSTALLING IN A HANDICAP STALL:

Per the ADA Guidelines (section 604.9.4) it is recommended that the grab bars be split or shifted to the wide side of the stall. If grab bars must be present over the valve, use the alternate ADA installation as shown to the right.