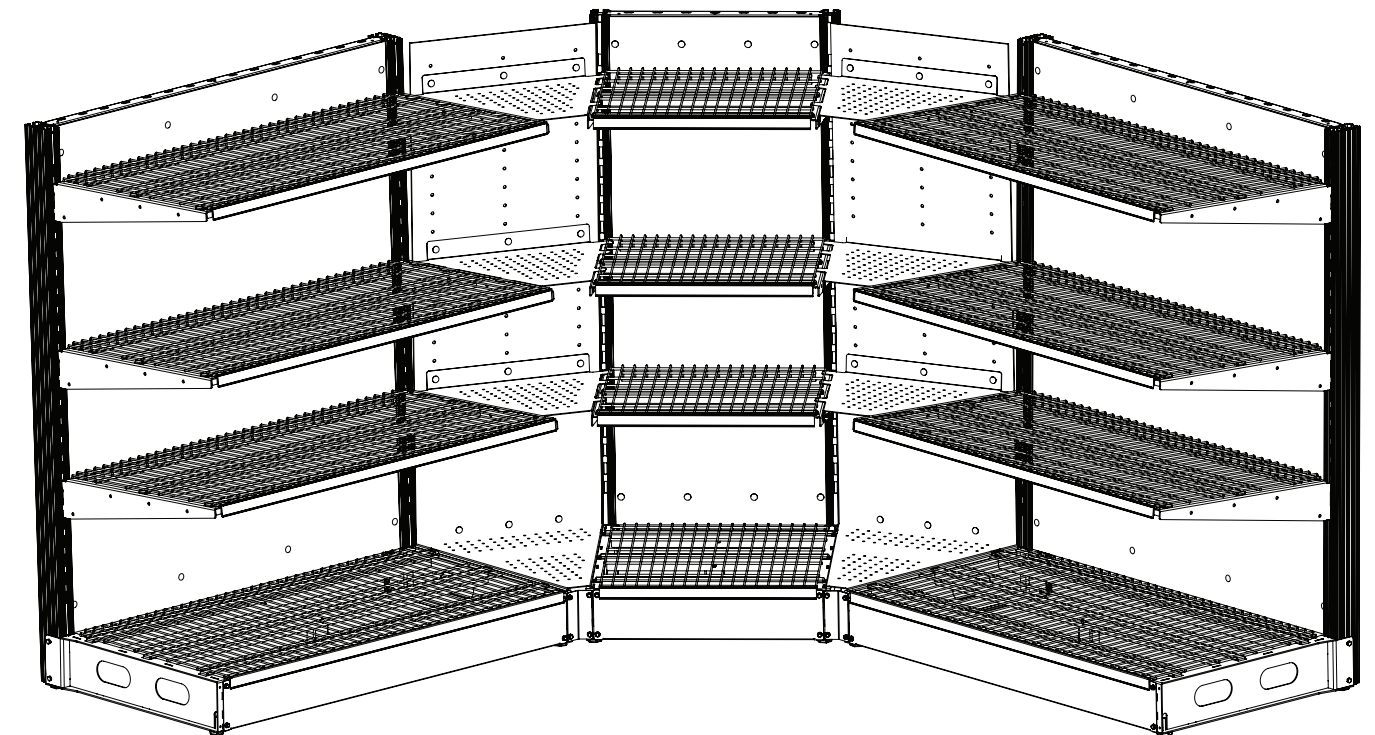


TABLE OF CONTENTS

Page	Description
2	Assembly Overview & Weight Limits
3	Kit Contents
4	Starter Base Leg and Upright Assembly
5	Starter Slotted Upright and X Brace Assembly
7	Starter Back Panel and Toe Kick Assembly
7	Starter Base Deck and Shelving Assembly
8	Add On Base Leg and Upright Assembly
10	Add On Slotted Upright and X Brace Assembly
11	Add On Back Panel and Toe Kick Assembly
12	Add On Base Deck and Shelving Assembly
13	Corner Unit Assembly
14	Final Assembly

FIXTURE ASSEMBLY INSTRUCTIONS



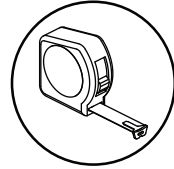
ASSEMBLY OVERVIEW

(2) PEOPLE RECOMMENDED FOR ASSEMBLY

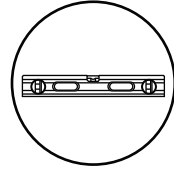
TOOLS REQUIRED:



Cordless drill with 3/8" socket



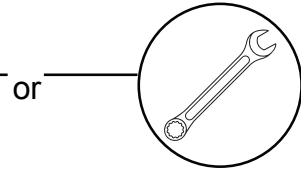
Tape measure (25-ft recommended)



Bubble level



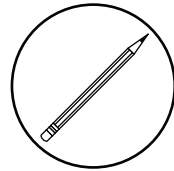
Ratchet wrench w/ 7/16" hex socket



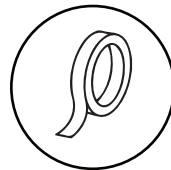
7/16" combination wrench

or

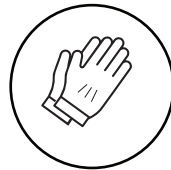
RECOMMENDED ITEMS:



Pencil



3/4" wide painter's tape (used for establishing fixture layout on floor)

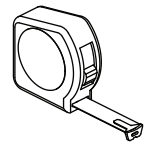


Work gloves (for handling pegboard panels)

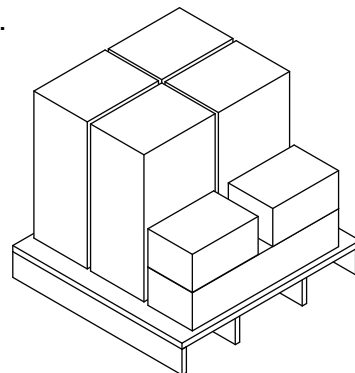
OVERVIEW

Note: Planniq Strong ships as a knock down unit, palletized in the most efficient manner per order.

- ① Clear and measure available space for the Planniq Strong build and installation.



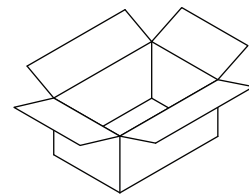
- ② Inspect pallet for damage.



- ③ Remove and stack all boxes in groups of same items, for ease of location during assembly.

Check quantities against packing slip. Each sku has an item number and label to identify.

- ④ Only open cartons as required.



PLANNIQ STRONG WEIGHT LIMITS



Patent No. 11,737,586

60" OVERALL HEIGHT

SIZE	WEIGHT LIMIT
24" DEEP SHELF	QTY (200) 12oz. glass bottles or 250 lbs.
30" DEEP SHELF	QTY (240) 12oz. glass bottles or 300 lbs.
24" DEEP BASE DECK	QTY (960) 12oz. glass bottles or 1,200 lbs.
30" DEEP BASE DECK	QTY (960) 12oz. glass bottles or 1,200 lbs.

MAX (3) SHELVES TOTAL PER SECTION



800.704.3660

imageworksdisplay.com



Patent No. 11,737,586

72" OVERALL HEIGHT

SIZE	WEIGHT LIMIT
24" DEEP SHELF	QTY (200) 12oz. glass bottles or 250 lbs.
24" DEEP BASE DECK	QTY (960) 12oz. glass bottles or 1,200 lbs.

MAX (4) SHELVES TOTAL PER SECTION

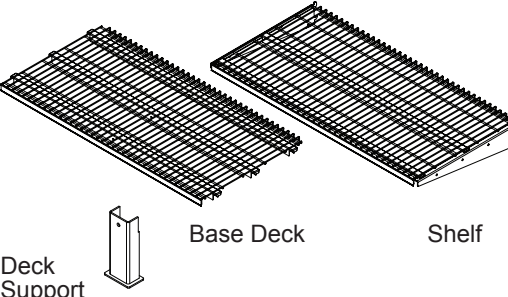
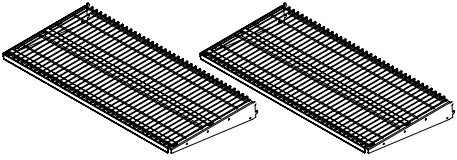



800.704.3660

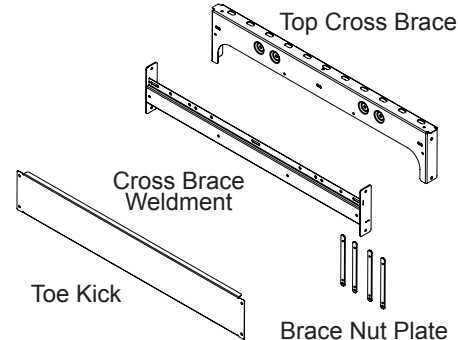
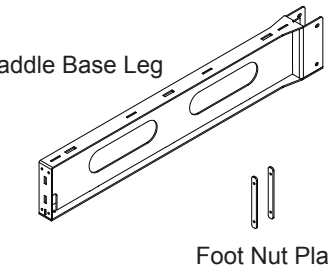

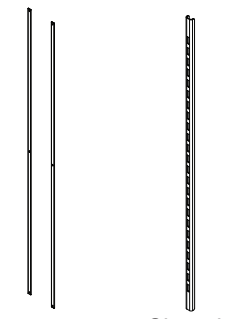
imageworksdisplay.com

KIT CONTENTS

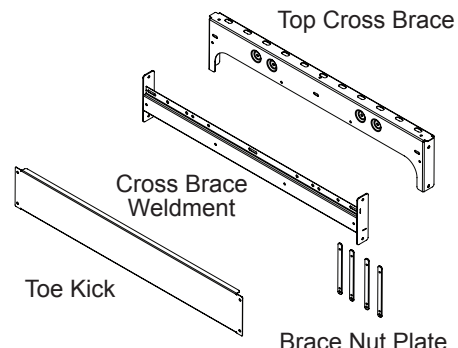
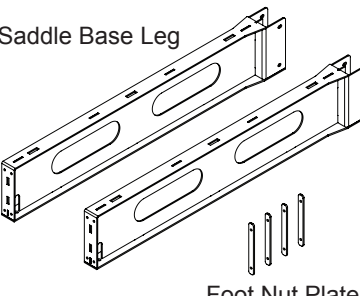

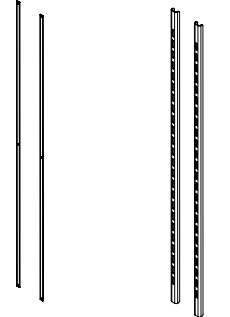
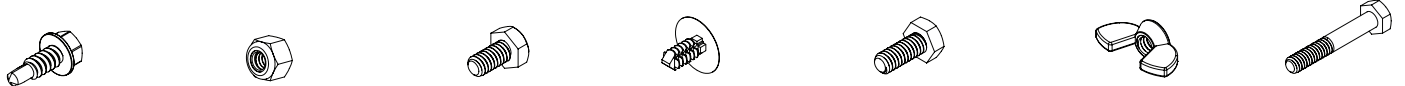
Shared Assembly

<p>Base Kit Contents: 2FT X 24IN DEEP BASE KIT : SV12011 3FT X 24IN DEEP BASE KIT : SV12012 4FT X 24IN DEEP BASE KIT : SV12013 4FT X 30IN DEEP BASE KIT : SV12014</p>  <p>Deck Support, Base Deck, Shelf</p>	<p>Shelf Kit Contents: 2FT X 24IN DEEP SHELF KIT : SV12005 3FT X 24IN DEEP SHELF KIT : SV12006 4FT X 24IN DEEP SHELF KIT : SV12007 4FT X 30IN DEEP SHELF KIT : SV12008</p>  <p>Shelf</p>	<p>Back Panel Kit Contents: 2FT X 60IN BACK PANEL : SV121001 3FT X 60IN BACK PANEL : SV121002 4FT X 60IN BACK PANEL : SV121003 2FT X 72IN BACK PANEL : SV121004 3FT X 72IN BACK PANEL : SV121005 4FT X 72IN BACK PANEL : SV121006</p>  <p>Back Panel</p>
---	---	--

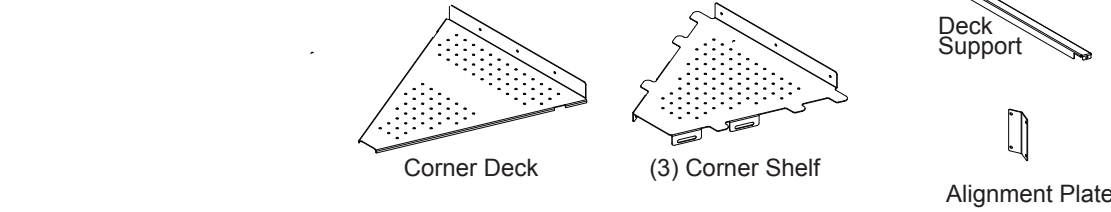
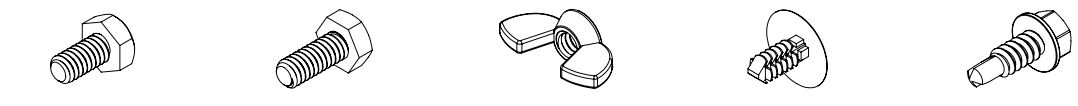
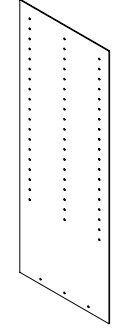
Add On Assembly

<p>Cross Brace Kit Contents: 2FT CROSS BRACE KIT : SV12015 3FT CROSS BRACE KIT : SV12016 4FT CROSS BRACE KIT : SV12017</p>  <p>Top Cross Brace, Cross Brace Weldment, Toe Kick, Brace Nut Plate</p>	<p>Add On Kit Contents: 24IN ADD ON KIT : SV12019 30IN ADD ON KIT : SV12021</p>  <p>Saddle Base Leg, Foot Nut Plate</p>	<p>Upright Kit Contents: 60IN ALUM UPRIGHT KIT : SV12003 72IN ALUM UPRIGHT KIT : SV12002</p>  <p>Alum Extrusion</p>	<p>Add On Upright Kit Contents: 60IN ADD ON UPRIGHT KIT : SV12025 72IN ADD ON UPRIGHT KIT : SV12027</p>  <p>X Brace, Slotted U-Channel</p>
--	---	---	--

Starter Assembly

<p>Cross Brace Kit Contents: 2FT CROSS BRACE KIT : SV12015 3FT CROSS BRACE KIT : SV12016 4FT CROSS BRACE KIT : SV12017</p>  <p>Top Cross Brace, Cross Brace Weldment, Toe Kick, Brace Nut Plate</p>	<p>Starter Kit Contents: 24IN STARTER KIT : SV12018 30IN STARTER KIT : SV12020</p>  <p>Saddle Base Leg, Foot Nut Plate</p>	<p>Upright Kit Contents: 60IN ALUM UPRIGHT KIT : SV12001 72IN ALUM UPRIGHT KIT : SV12004</p>  <p>Alum Extrusion</p>	<p>Starter Upright Kit Contents: 60IN STARTER UPRIGHT KIT : SV12024 72IN STARTER UPRIGHT KIT : SV12026</p>  <p>X Brace, Slotted U-Channel</p>
<p>Hardware Kit #1 Contents:</p>  <p>(9x) Self Drilling Screw (3x) 1/4-20 Nylon Insert Lock Nut (17x) 1/4-20 x .5" Long Hex Bolt (9x) Christmas Tree Clip (8x) 1/4-20 x .625" Long Hex Bolt (6x) 1/4-20 Wing Nut (1x) 1/4-20 x 1.750 Long Hex Bolt</p>			

Corner Assembly

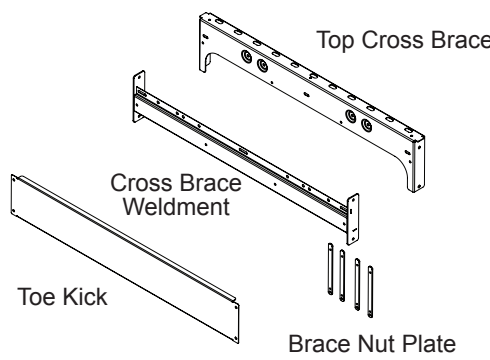
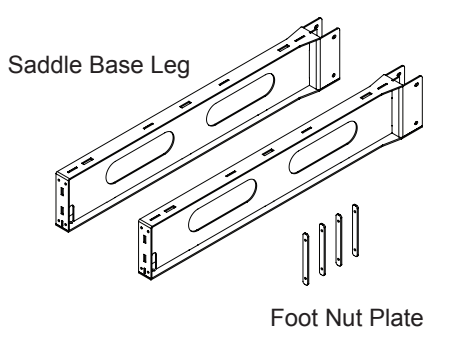
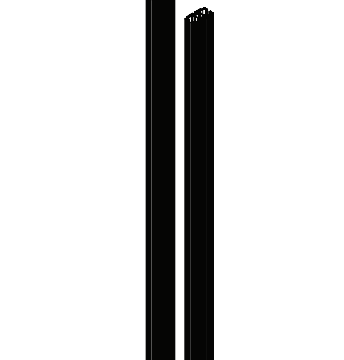

<p>Corner Kit Contents: 24IN CORNER KIT : SV12022 30IN CORNER KIT : SV12023</p>  <p>Corner Deck, (3) Corner Shelf, Deck Support, Alignment Plate</p> <p>Corner Hardware Kit Contents:</p>  <p>(4x) 1/4-20 x .500" Long Hex Bolt (12x) 1/4-20 x .625" Long Hex Bolt (12x) 1/4-20 Wing Nut (12x) Christmas Tree Clip (4x) Self Drilling Screw</p>	<p>Corner Back Panel Kit Contents: 60IN CORNER BACK PANEL KIT : SV12007 72IN CORNER BACK PANEL KIT : SV12008</p>  <p>Back Panel</p>
---	---

NOTE: Wall Anchor Kit is available upon request.

STARTER BASE LEG & UPRIGHTS ASSEMBLY

60IN ALUMINUM UPRIGHT KIT OF 2: ITEM# SV12001
 60IN STARTER UPRIGHT KIT - ITEM# SV12024
 24IN STARTER - KIT OF 1 : ITEM# SV12018
 4FT CROSS - KIT OF 1 : ITEM# SV12017

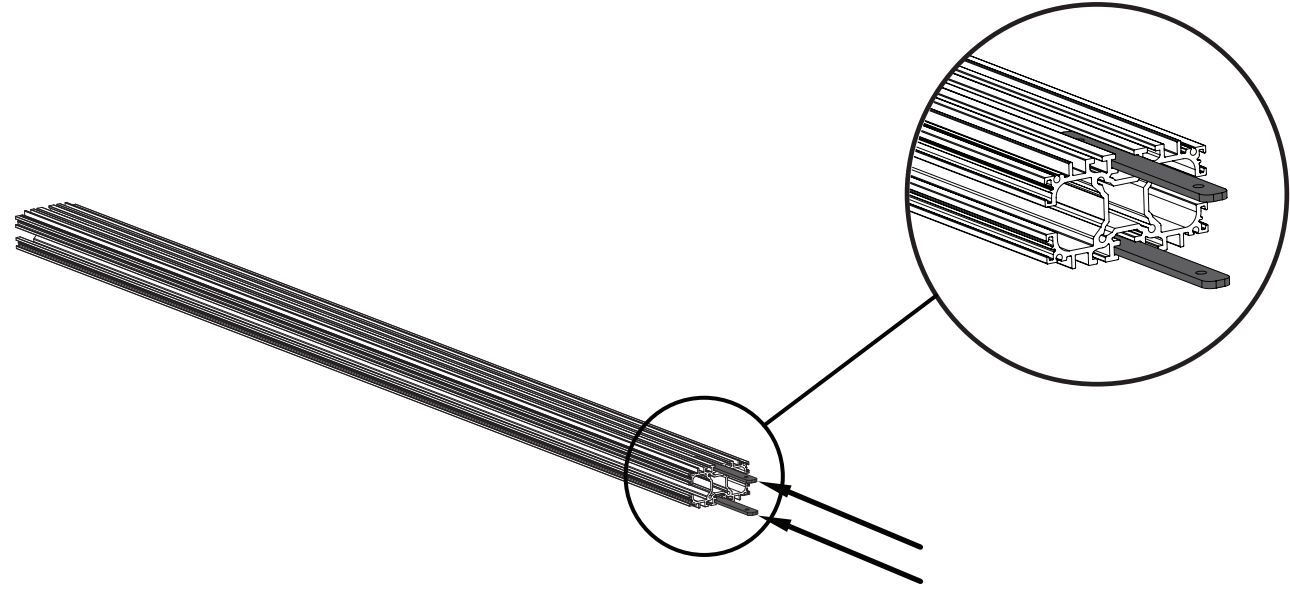
Starter Assembly

<p>Cross Brace Kit Contents:</p>  <p>Top Cross Brace Cross Brace Weldment Toe Kick Brace Nut Plate</p>	<p>Starter Kit Contents:</p>  <p>Saddle Base Leg Foot Nut Plate</p>	<p>Upright Kit Contents:</p>  <p>Alum Extrusion</p>
<p>Hardware Kit #1 Contents:</p>  <p>(9x) Self Drilling Screw (3x) 1/4-20 Nylon Insert Lock Nut (17x) 1/4-20 x .5" Long Hex Bolt (9x) Christmas Tree Clip (8x) 1/4-20 x .625" Long Hex Bolt (6x) 1/4-20 Wing Nut (1x) 1/4-20 x 1.750 Long Hex Bolt</p>		

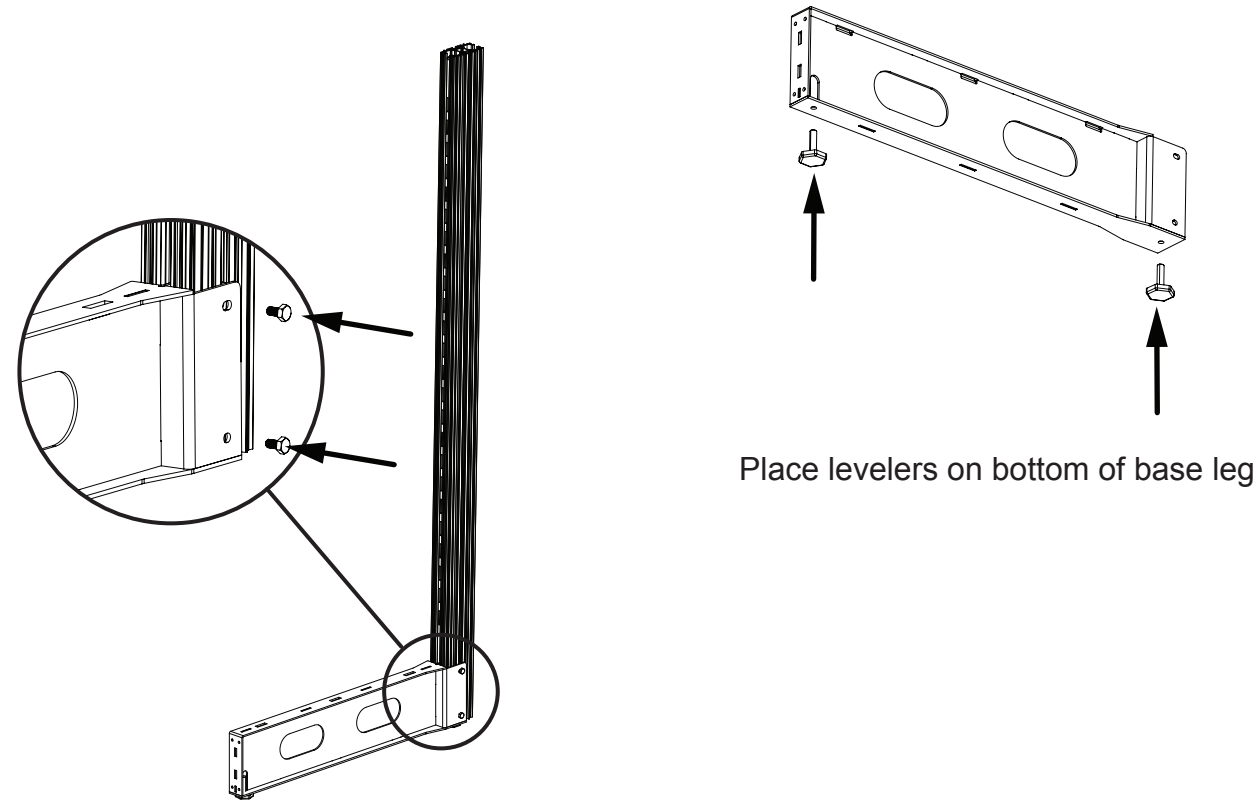
1 Install Saddle Base Legs on Aluminum Extrusion:

Locate Kits **SV12001 60" ALUM Upright Kit of 2** and **SV12018 24" Starter Kit**. Locate kit **SV12017 4' Cross Kit** and remove **HARDWARE KIT #1** for all required hardware for assembly. Remove (2) aluminum extrusions and (4) foot nut plates from kits.

Place foot nut plates in channel (Shown in rendering) on extrusion.



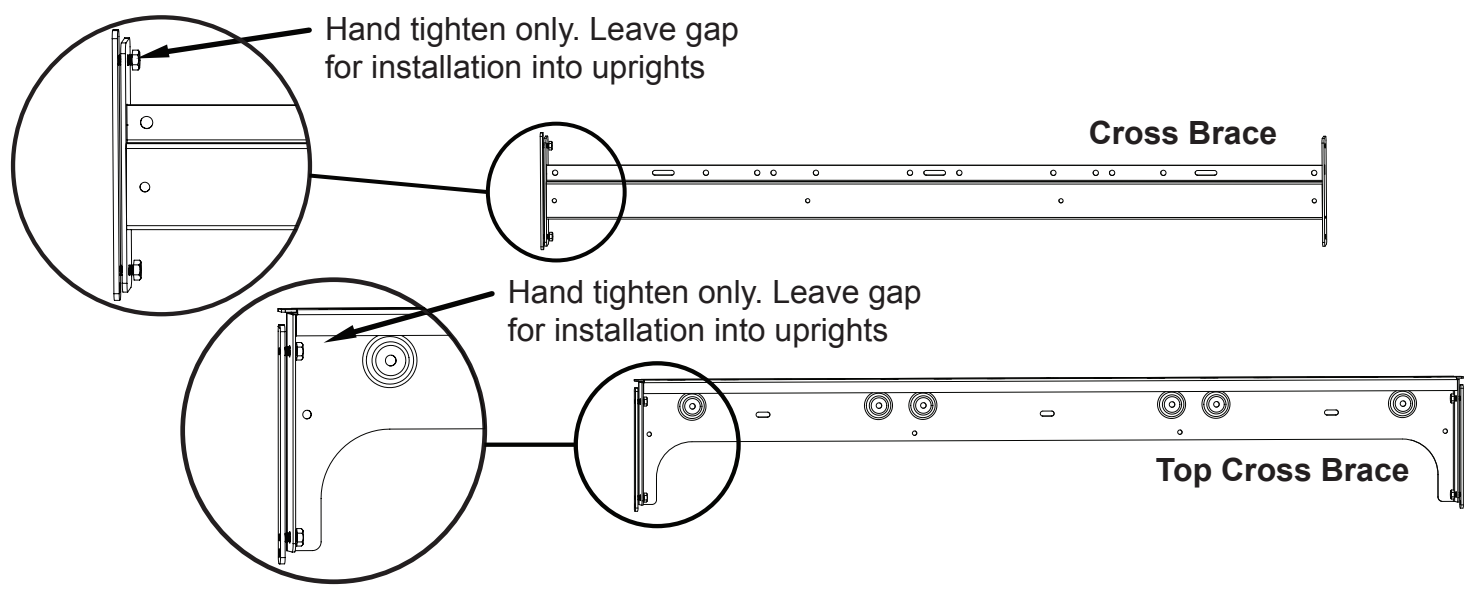
2 Locate 24" Saddle base leg and place around extrusion and locate nut plate holes and install with (4) 1/4-20 x .500" long hex bolts finger tight (**Do not tighten**). Install levelers from **SV12018 24" STARTER KIT** on saddle base legs. Screw in levelers all the way and back out two turns. Complete this step twice. Unit should be laying down after the completion of these steps.



Place levelers on bottom of base leg

3 Install Cross Brace and Top Cross Brace on Aluminum Extrusion.

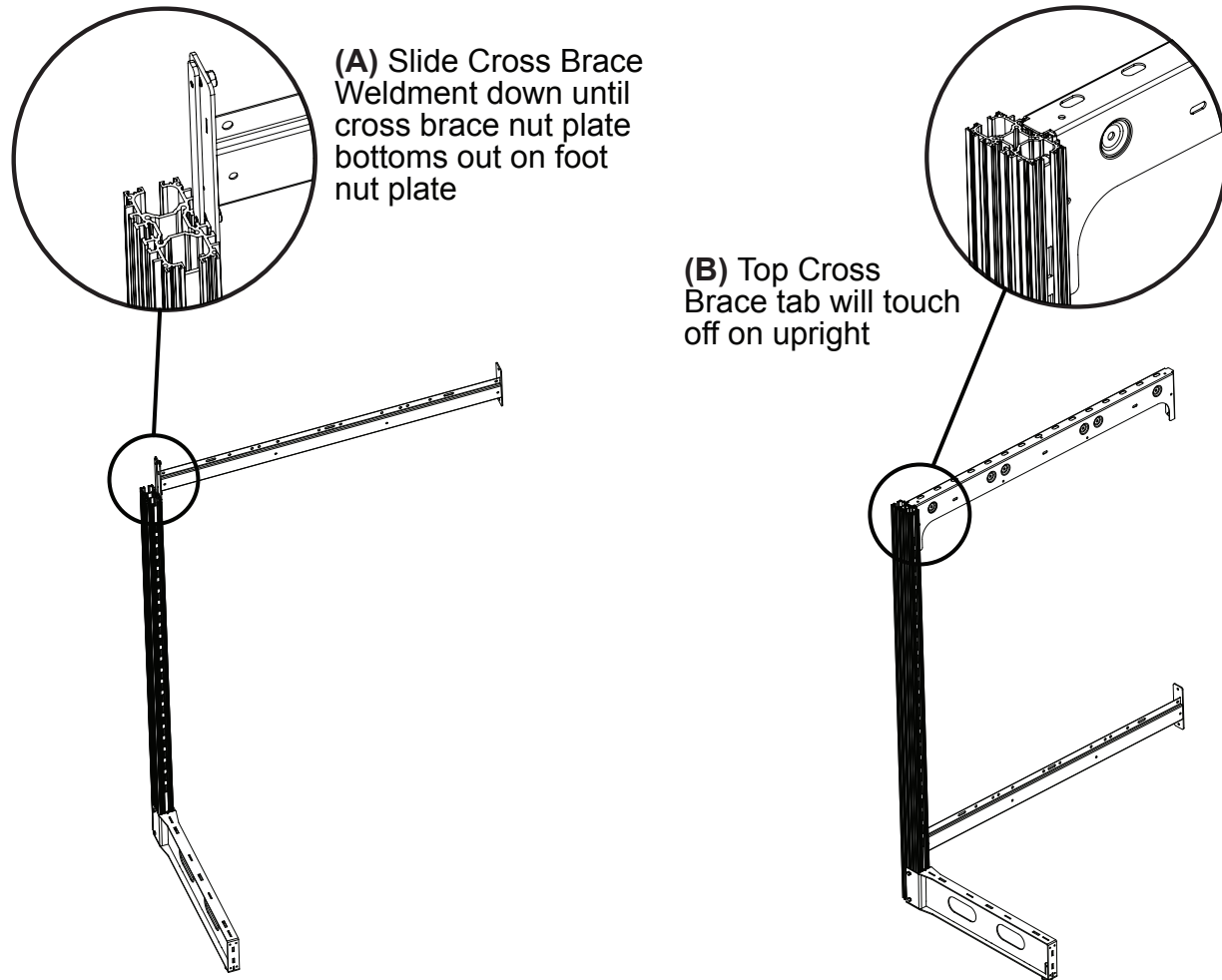
Locate **SV12017 4' Cross Brace Kit**. Remove cross brace nut plates from kit, install nut plates with (4) 1/4-20 x .500" long hex bolts from **HARDWARE KIT #1** on Cross Brace weldment and Top Cross Brace weldment, install finger tight (**Do not tighten**).



STARTER BASE LEG & UPRIGHTS ASSEMBLY

(CONTINUED)

- ④ (A) Slide the Cross Brace Weldment with nut plates into the top of the extrusion and let sit on foot. (B) Slide Top Cross Brace Weldment with nut plates into extrusion.



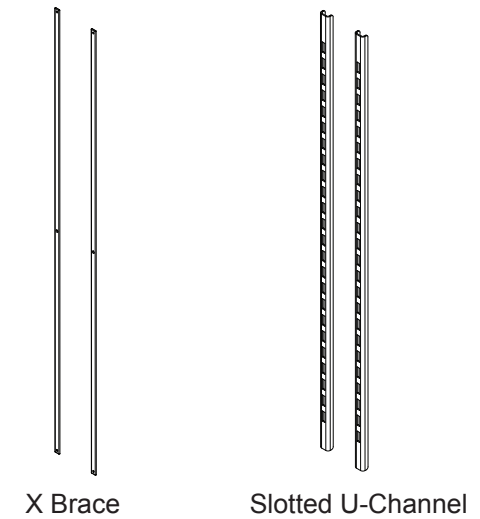
NOTE: Create as many assemblies as needed for entire unit. Instruction sheet references 4ft kits and 60in height. Use appropriate kit/width for your planogram needs.

STARTER SLOTTED UPRIGHT AND X BRACE ASSEMBLY

4FT CROSS - KIT OF 1 : ITEM# SV12017
4FT BACK PANEL : ITEM# SV121003

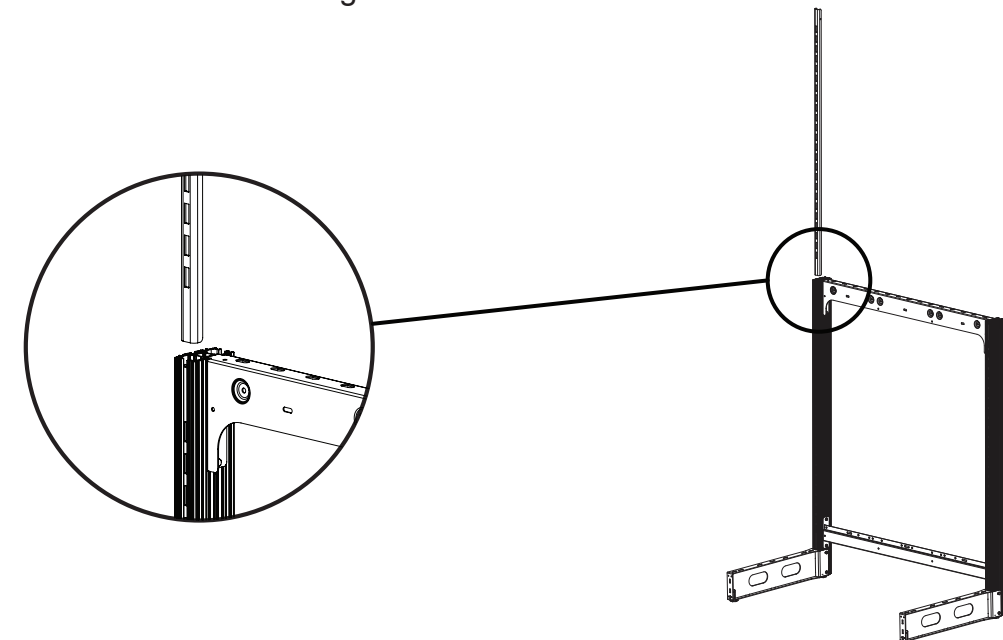
Starter Slotted Upright Assembly

Starter Upright Kit Contents:



① Install Slotted U Channels

Locate **SV12024 60IN** Starter Upright Kit. Ensure that the unit is laying down before completing the next step. Install Slotted U Channels into upright extrusion while unit is laying down, allow it to bottom out on saddle base leg.



NOTE: The following steps will use hardware from cross brace kit.

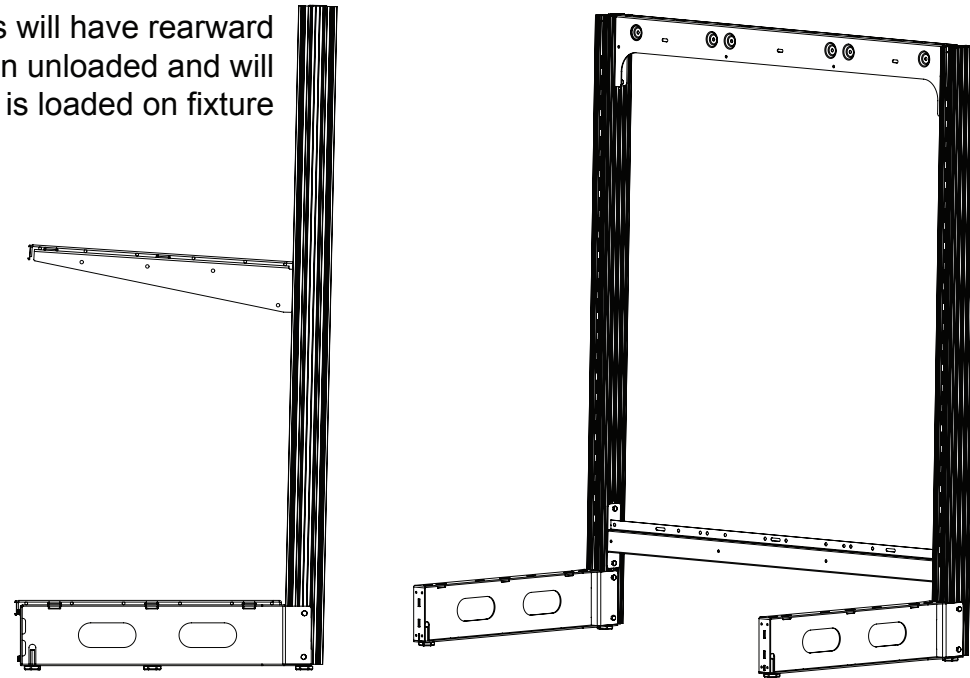
STARTER SLOTTED UPRIGHT AND X BRACE ASSEMBLY

(CONTINUED)

2 Stand Unit Up and tighten hardware. This requires two people.

Ensure everything is bottomed out (As Shown), tighten all the 1/4-20 x .500" long bolts from **HARDWARE KIT #1** (As Shown) using a 7/16" wrench or socket.

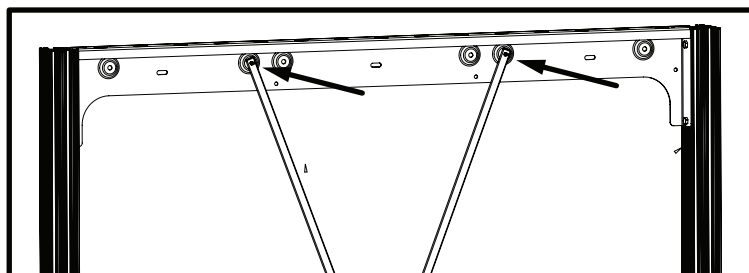
Upright and shelves will have rearward leaning angle when unloaded and will level out once weight is loaded on fixture



3 Install X Braces

Locate X braces and hardware (4) 1/4" self drilling hex head screws and (1) 1/4-20 x .625" long hex bolt & (1) 1/4-20 locknut From **HARDWARE KIT #1** From **Kit SV12017 4' Cross Kit**.

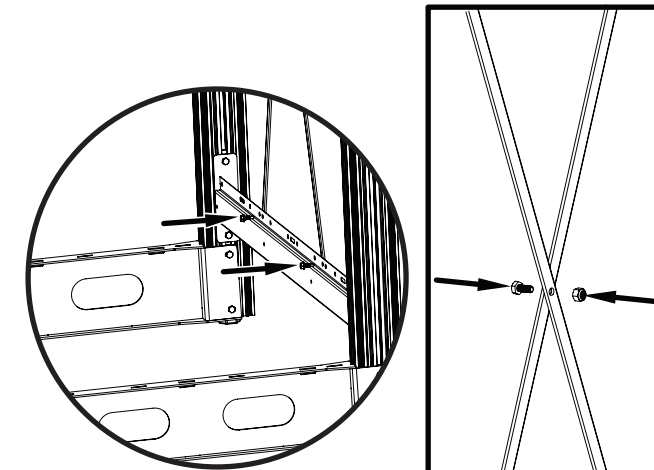
On rear of fixture, install X braces on Top Cross Brace and Cross Brace weldment using a cordless drill or impact gun with a 3/8" socket.



Place face of X-brace behind cross brace and attach with self drilling screws

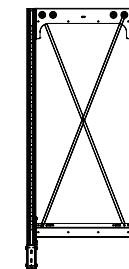
3 CONTINUED...

Tighten 1/4-20 bolt in center of cross braces with the 1/4-20 locknut using 7/16" wrenches or 7/16" wrench and socket.

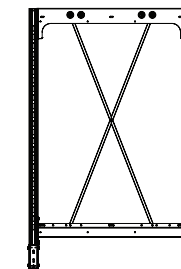


Place face of X-brace behind cross brace and attach with self drilling screws

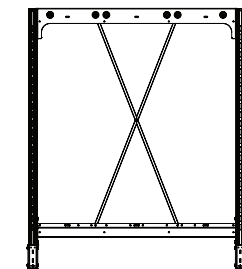
2' Wide x 60" Tall



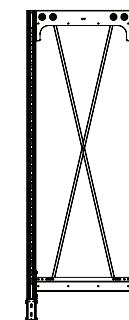
3' Wide x 60" Tall



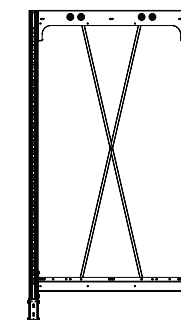
4' Wide x 60" Tall



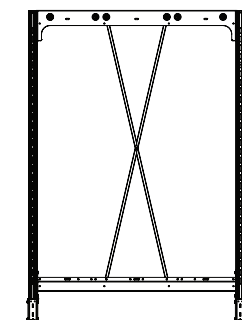
2' Wide x 72" Tall



3' Wide x 72" Tall



4' Wide x 72" Tall



STARTER BACK PANEL & TOE KICK ASSEMBLY

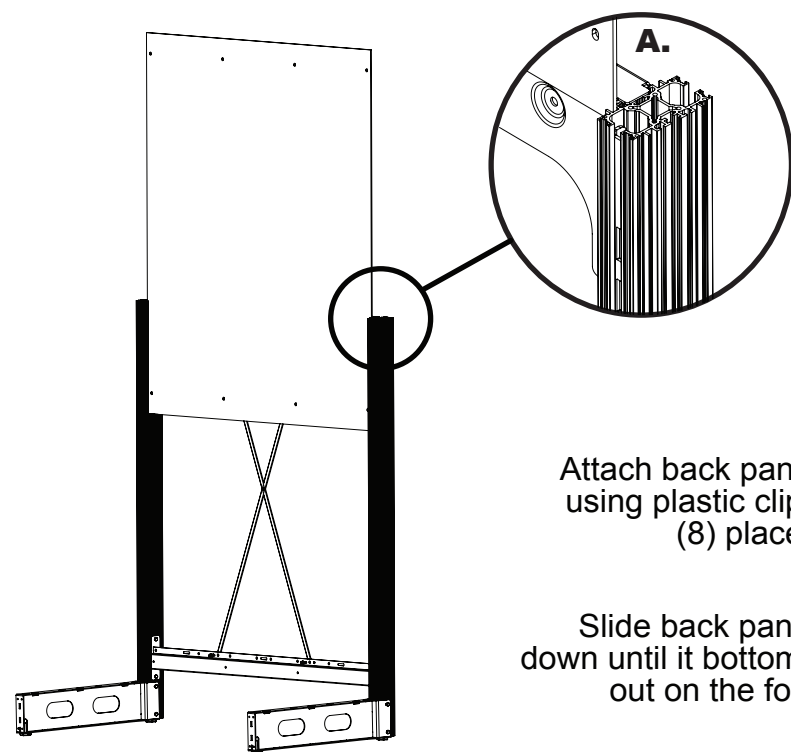
4FT CROSS - KIT OF 1 : ITEM# SV12017
4FT BACK PANEL : ITEM# SV121003

! Depending on available height in space, back panel may need to be installed while unit is laying down !

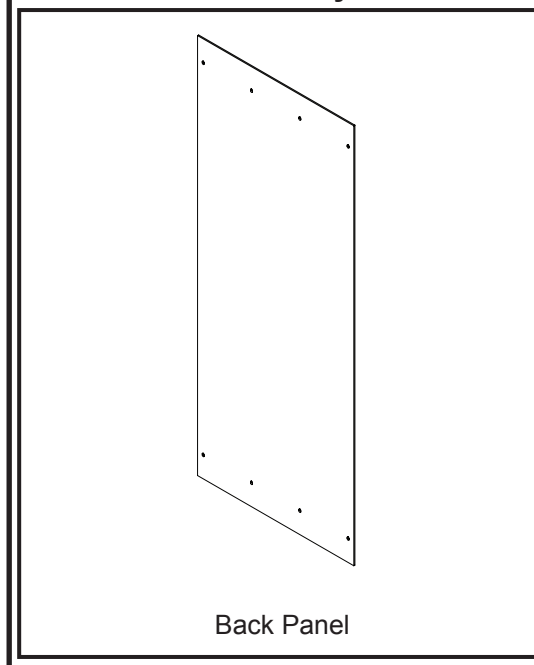
1 Install Back Panel

(A) Locate kit **SV121003 4FT X 60IN Back Panel**. Slide back panel into the correct slot on extrusion (as shown, in front of cross brace).

(B) Secure back panel with Christmas tree clips From **HARDWARE KIT #1**.



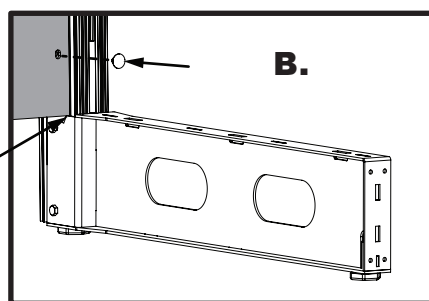
Back Panel Assembly



Back Panel

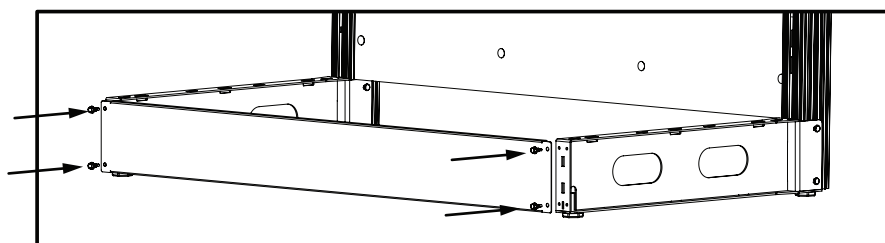
Attach back panel using plastic clips (8) places

Slide back panel down until it bottoms out on the foot



2 Install Toe Kick

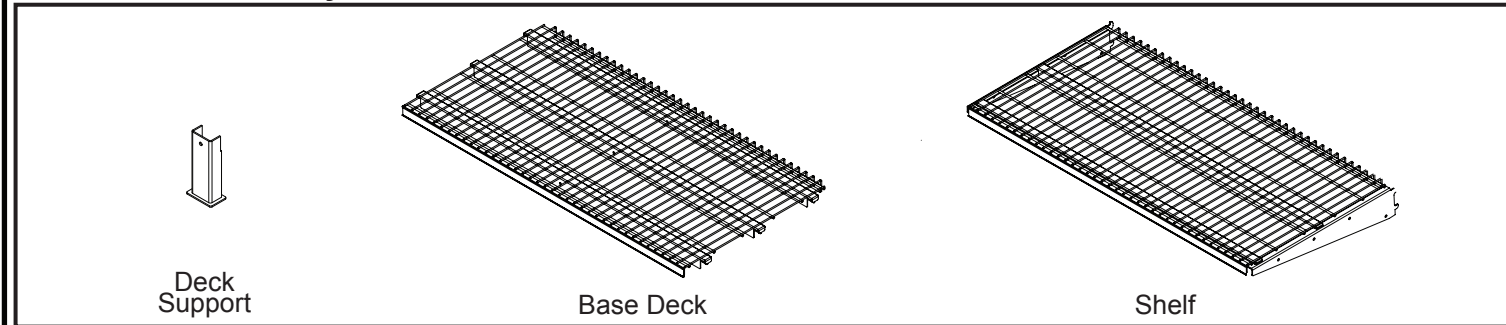
Locate kit **SV12017 4' Cross Kit**. Install toe kick with hardware (4) 1/4" self drilling screws From **HARDWARE KIT #1**, tighten hardware using cordless drill or impact gun with a 3/8" socket.



STARTER BASE DECK & SHELVING ASSEMBLY

4FT X 24IN BASE KIT - ITEM# SV12013

Base Deck Assembly

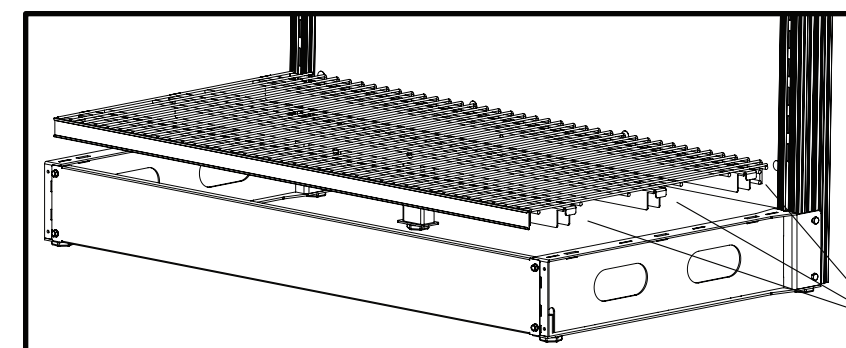
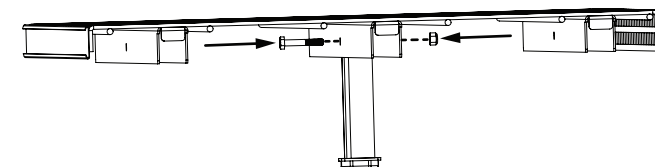


1 Once all prior steps are completed, place Starter Unit in permanent location.

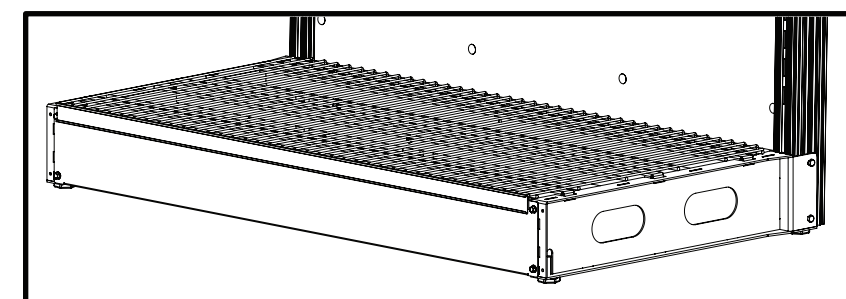
2 Install Center Deck Support on deck

Locate kit **SV12013** and remove the center deck support and 4FT X 24IN Deck.

Install Center deck support on 4FT X 24IN Deck with provided hardware (1) 1/4-20 x 1.750" long hex bolt & (1) 1/4-20 lock nut From **HARDWARE KIT #1**. Tighten with 7/16" wrenches or 7/16" wrench and socket. If deck is too tight, loosen hardware on toe kick to allow easier install.



Line up deck tabs with slots in the foot

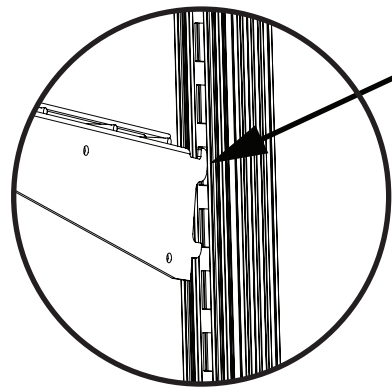
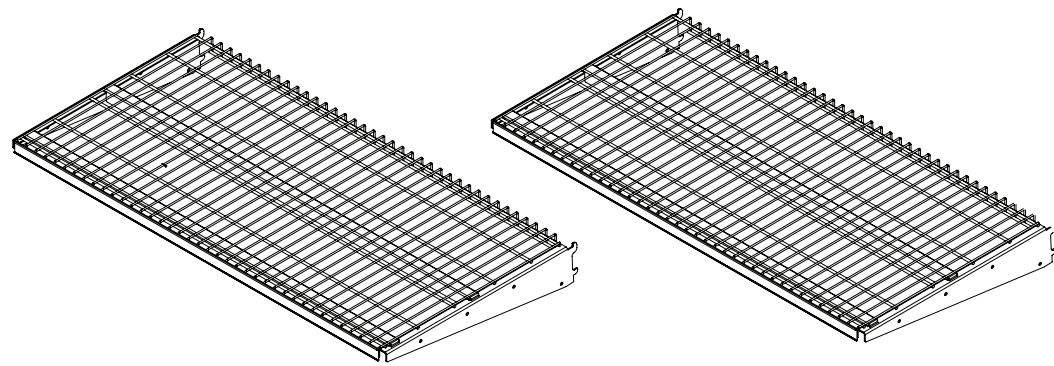


STARTER BASE DECK & SHELVING ASSEMBLY

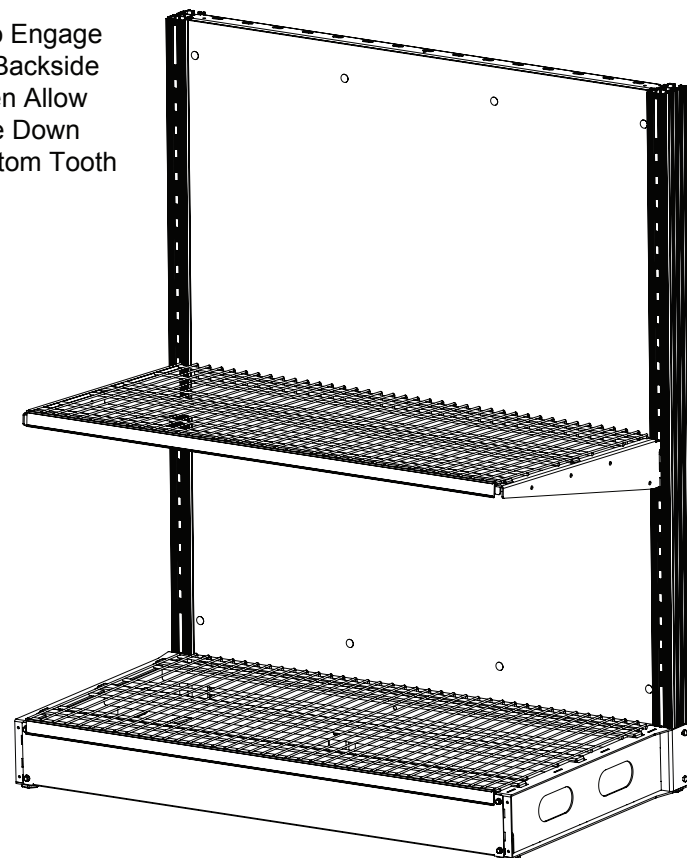
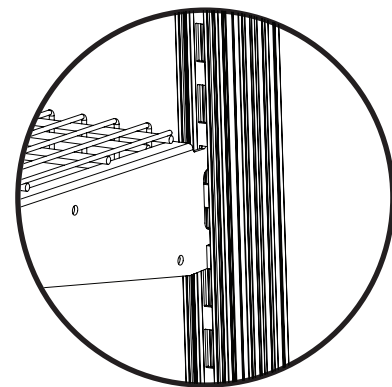
(CONTINUED)

3 Install shelving on Starter Unit

Locate **SV12007 4FT X 24IN DEEP SHELF - KIT OF 2** and **SV12013 - 4FT X 24IN DEEP BASE KIT**. Remove 4FT X 24IN shelves and install on starter unit.



Tilt Shelf Up To Engage Top Tooth On Backside Of Upright, Then Allow Shelf To Rotate Down To Engage Bottom Tooth



ADD ON BASE LEG & UPRIGHTS ASSEMBLY

60IN ALUMINUM UPRIGHT KIT OF 1: ITEM# SV12003

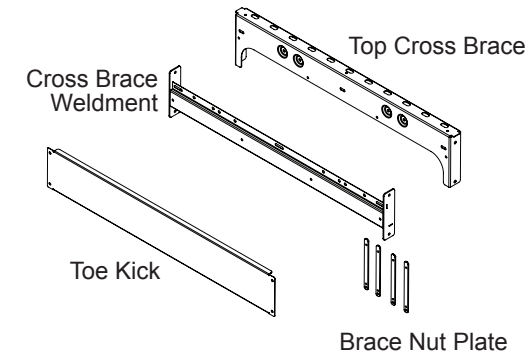
24IN ADD ON - KIT OF 1 : ITEM# SV12019

4FT CROSS - KIT OF 1 : ITEM# SV12017

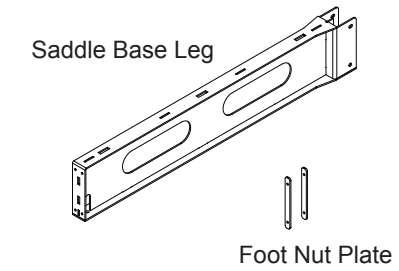
60IN ADD ON UPRIGHT KIT - ITEM# SV12025

Add Assembly

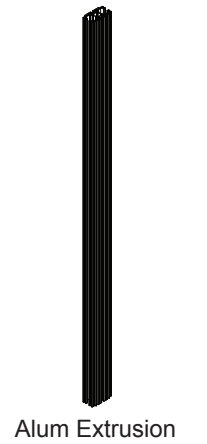
Cross Brace Kit Contents:



Add On Kit Contents:



Add On Upright Kit Contents:

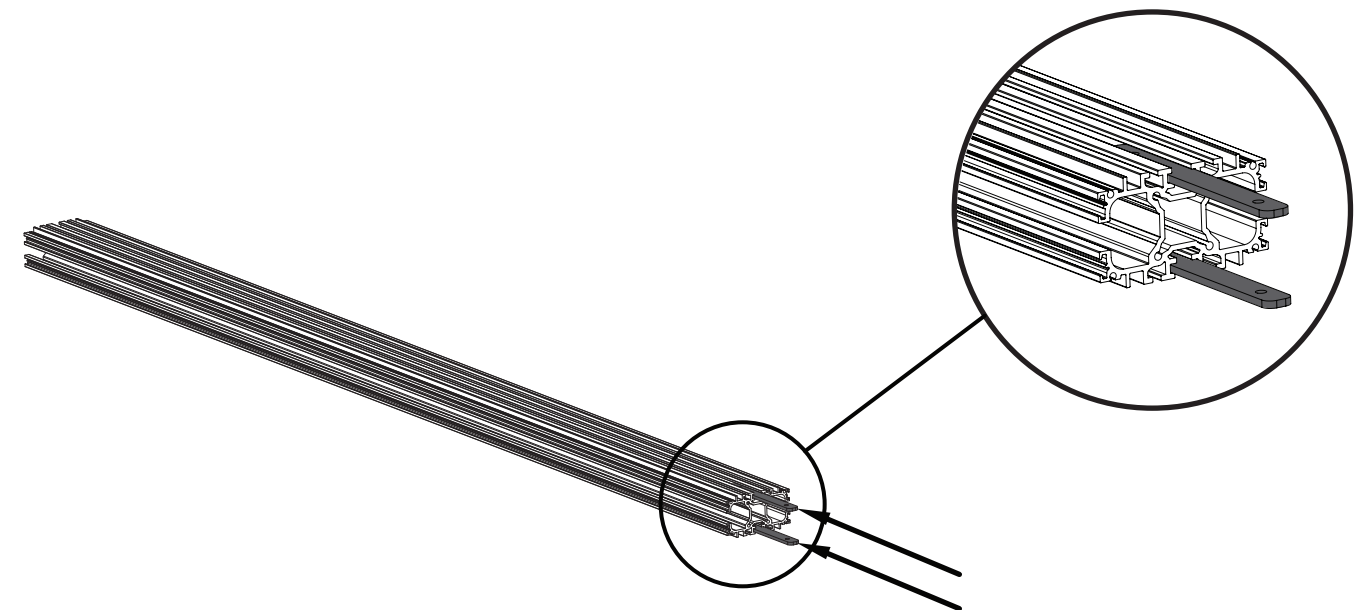


Hardware Kit #1 Contents:



1 Install Saddle Base Legs on Aluminum Extrusion:

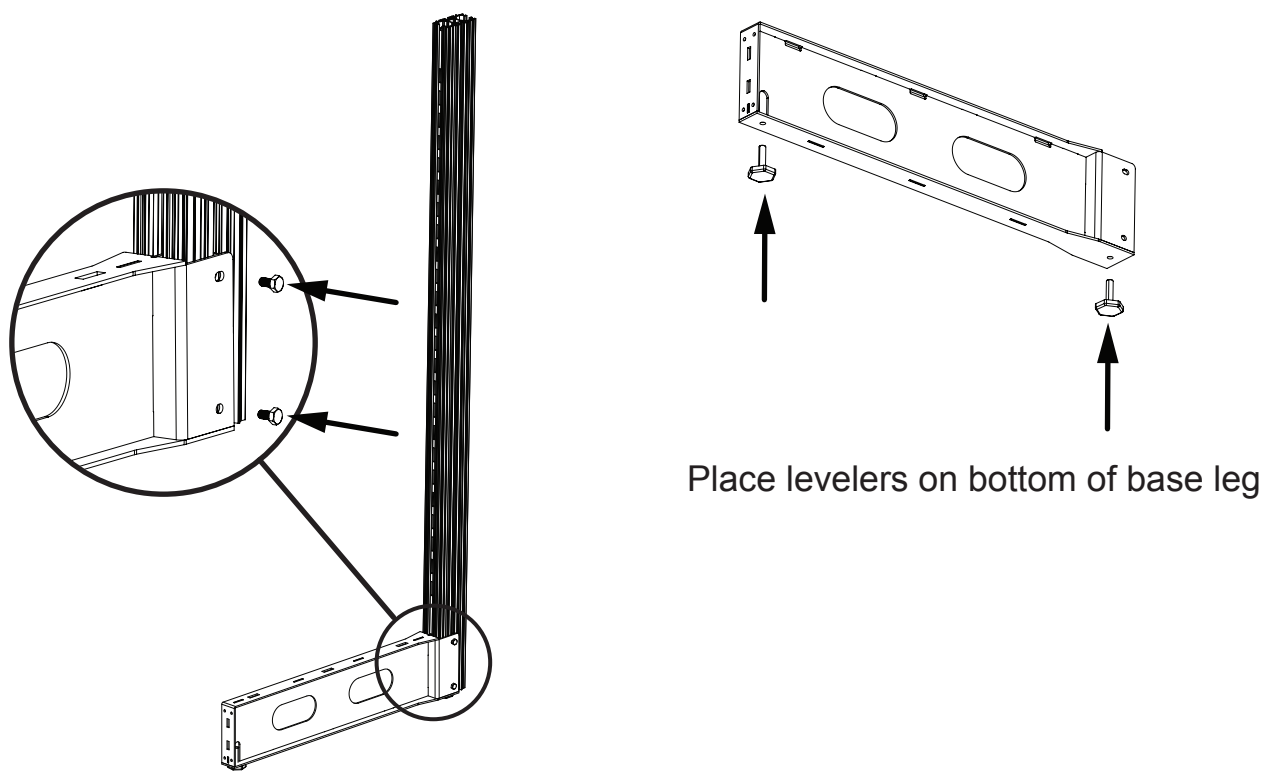
Locate Kits **SV12003 60" ALUM Upright Kit of 1** and **SV12019 24" Starter Kit**. Locate kit **SV12017 4' Cross Kit** and remove **HARDWARE KIT #1** for all required hardware for assembly. Remove (2) aluminum extrusions and (4) foot nut plates from kits. Place foot nut plates in channel on extrusion.



ADD ON BASE LEG & UPRIGHTS ASSEMBLY

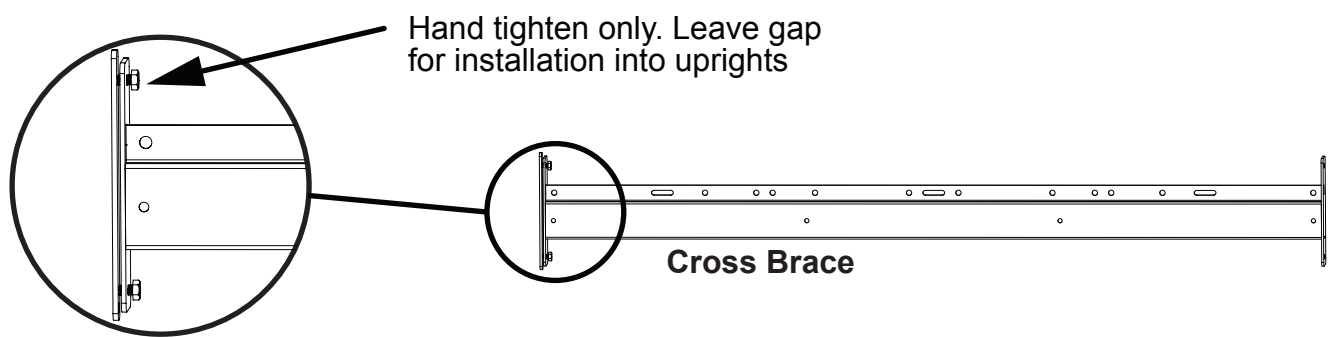
(CONTINUED)

2 Locate 24" Saddle base leg and place around extrusion and locate nut plate holes and install with (4) 1/4-20 x .500" long hex bolts finger tight (Do not tighten). Install levelers from **SV12018 24" STARTER KIT** on saddle base legs. Screw in levelers all the way and back out two turns. Complete this step twice. Unit should be laying down after the completion of these steps.

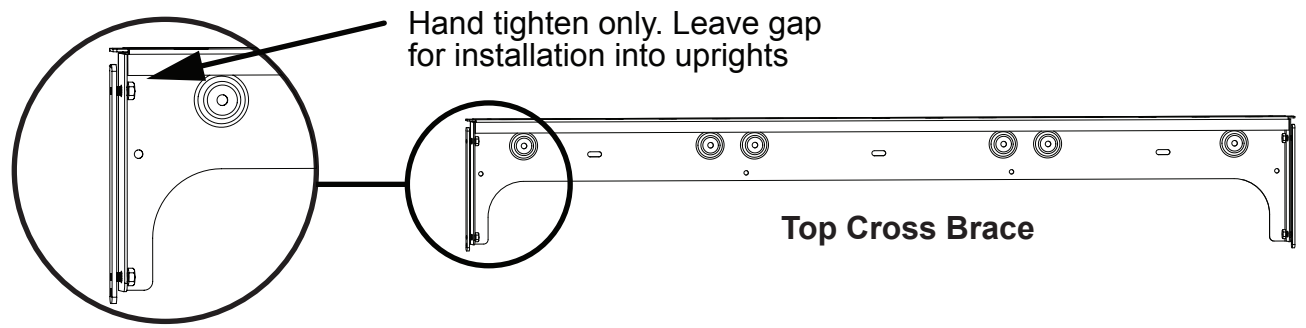


3 Install Cross Brace and Top Cross Brace on Aluminum Extrusion.

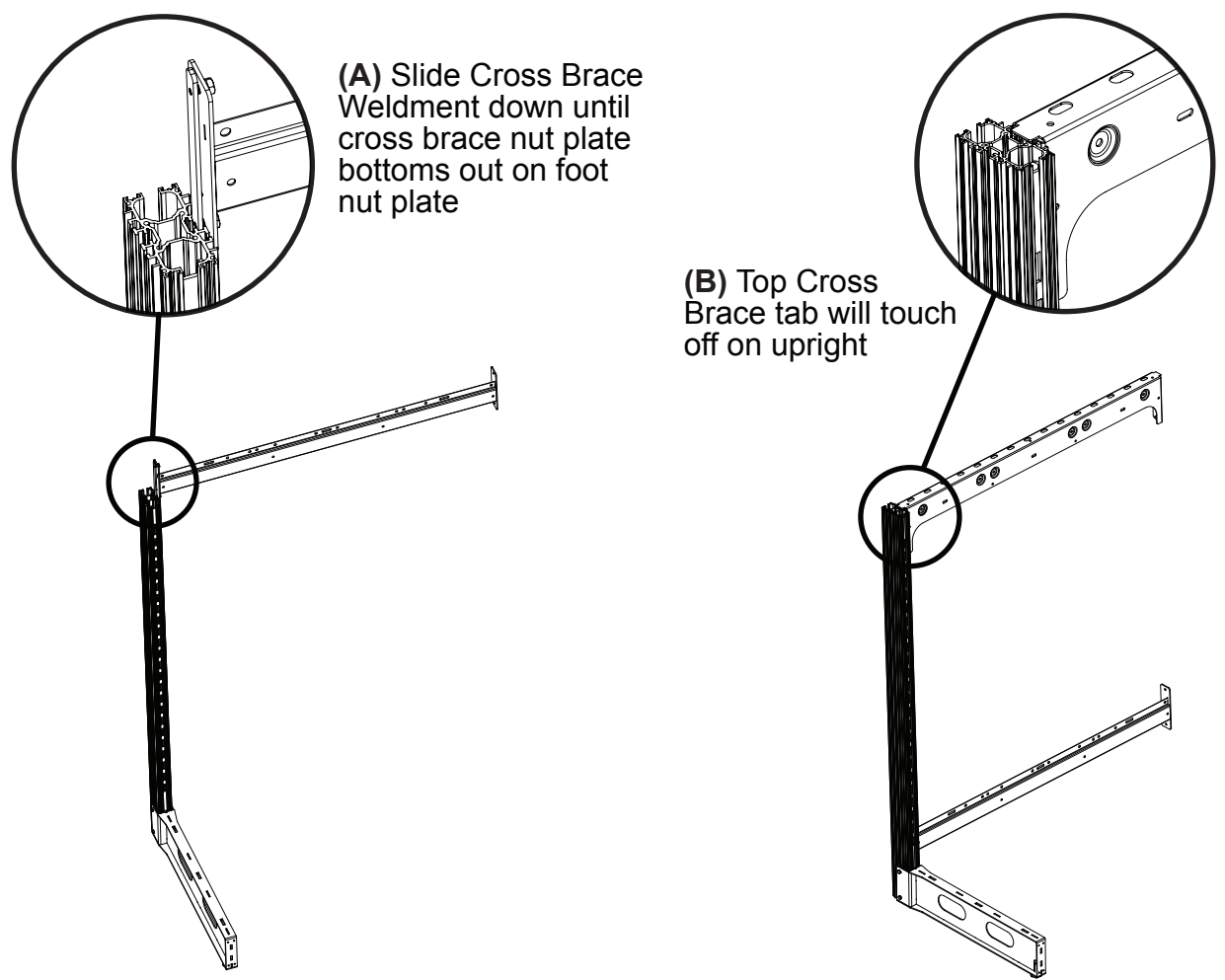
Locate **SV12017 4' Cross Brace Kit**. Remove cross brace nut plates from kit, install nut plates with (4) 1/4-20 x .500" long hex bolts from **HARDWARE KIT #1** on Cross Brace Weldment and Top Cross Brace Weldment, install finger tight (**Do not tighten**).



3 (Continued).



4 (A) Slide the Cross Brace Weldment with nut plates into the top of the extrusion and let sit on foot. (B) Slide Top Cross Brace weldment with nut plates into extrusion.



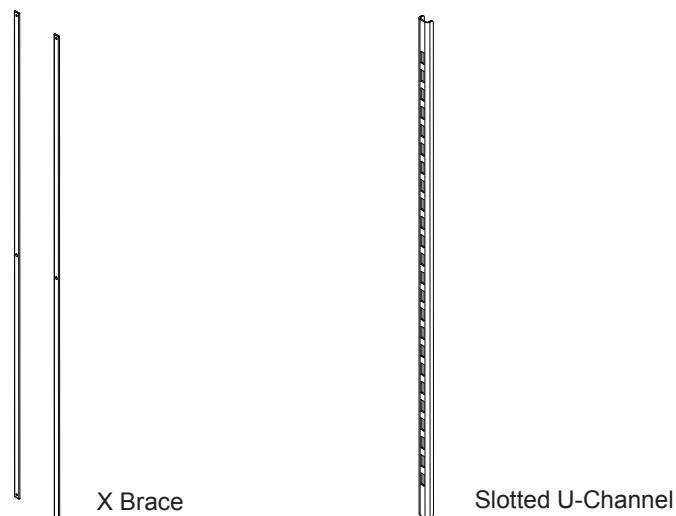
NOTE: Create as many assemblies as needed for entire unit. Instruction sheet references 4ft kits and 60in height. Use appropriate kit/width for your planogram needs.

ADD ON SLOTTED UPRIGHT AND X BRACE ASSEMBLY

4FT CROSS - KIT OF 1 : ITEM# SV12017
4FT BACK PANEL : ITEM# SV121003

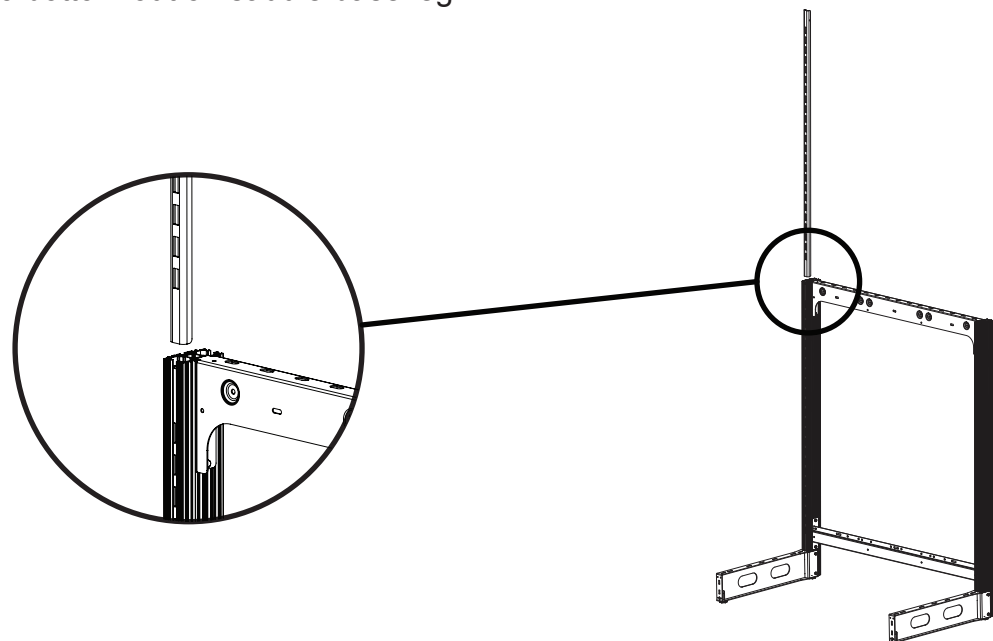
Add On Slotted Upright Assembly

Add On Upright Kit Contents:



1 Install Slotted U Channels

Locate **SV12024 60IN Starter Upright Kit**. Ensure that the unit is laying down before completing the next step. Install Slotted U Channels into upright extrusion while unit is laying down, allow it to bottom out on saddle base leg.



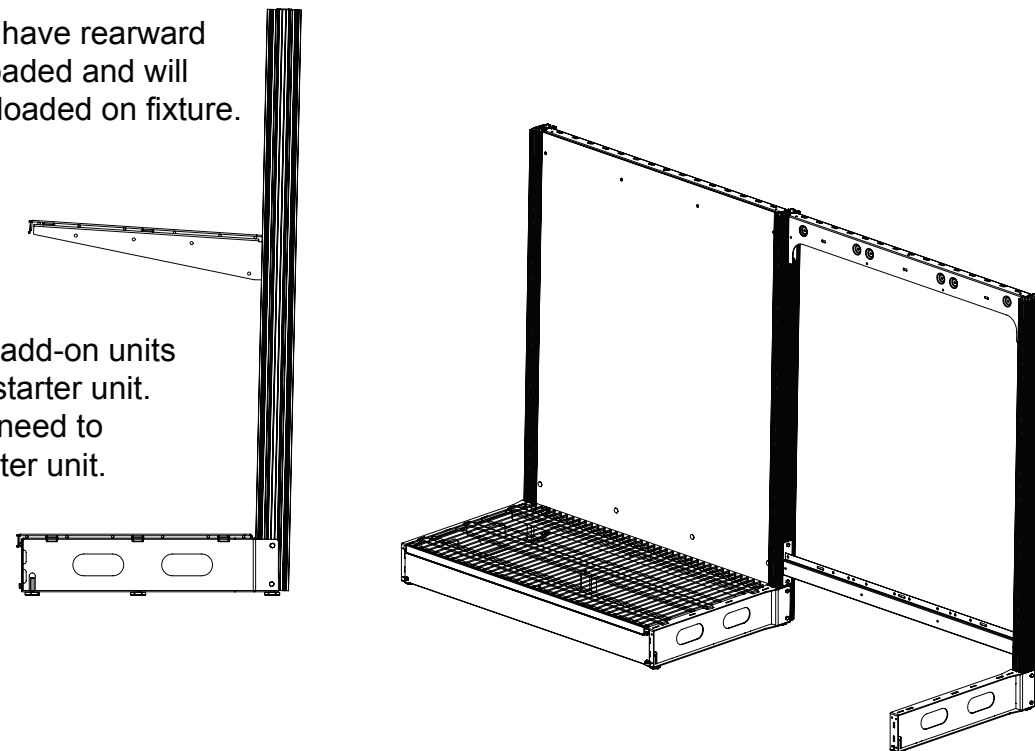
NOTE: The following steps will use hardware from cross brace kit.

2 Secure unit together

Tighten all the 1/4-20 x .500" long bolts from **HARDWARE KIT #1** (As Shown) using a 7/16" wrench or socket.

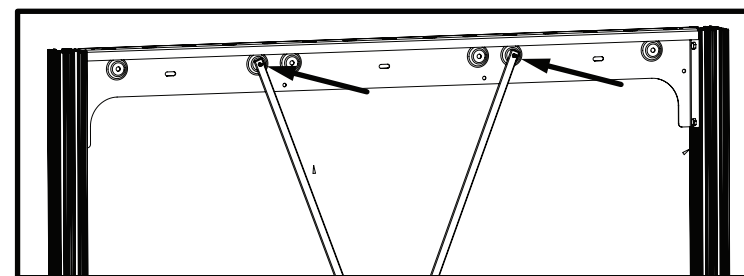
Upright and shelves will have rearward leaning angle when unloaded and will level out once weight is loaded on fixture.

IMPORTANT! Only two add-on units can be attached to one starter unit. For longer runs you will need to continue with a new starter unit.



3 Install X Braces

Locate X braces and hardware (4) 1/4" self drilling hex head screws and (1) 1/4-20 x .625" long hex bolt & (1) 1/4-20 locknut From **HARDWARE KIT #1** From Kit SV12017 4' Cross Kit. Install X braces on Top Cross Brace and Cross Brace weldment using a cordless drill or impact gun with a 3/8" socket.



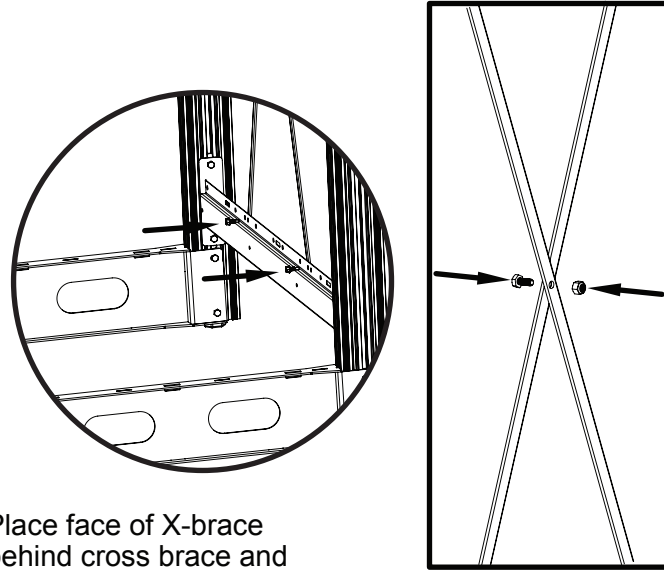
Install X-braces on rear of fixture
Place face of X-brace behind cross
brace and attach with self drilling screws

ADD ON SLOTTED UPRIGHT AND X BRACE ASSEMBLY

(CONTINUED)

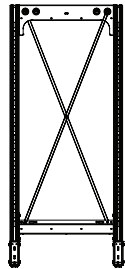
3 CONTINUED...

Tighten 1/4-20 bolt in center of cross braces with the 1/4-20 locknut using 7/16" wrenches or 7/16" wrench and socket.

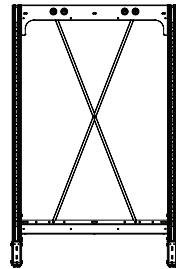


Place face of X-brace behind cross brace and attach with self drilling screws

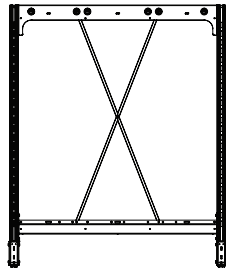
2' Wide x 60" Tall



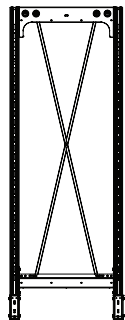
3' Wide x 60" Tall



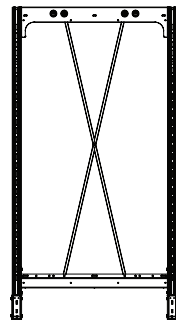
4' Wide x 60" Tall



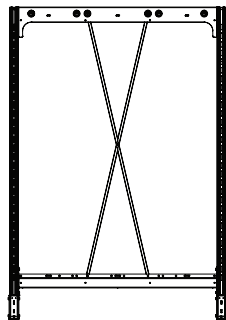
2' Wide x 72" Tall



3' Wide x 72" Tall



4' Wide x 72" Tall



ADD ON BACK PANEL & TOE KICK ASSEMBLY

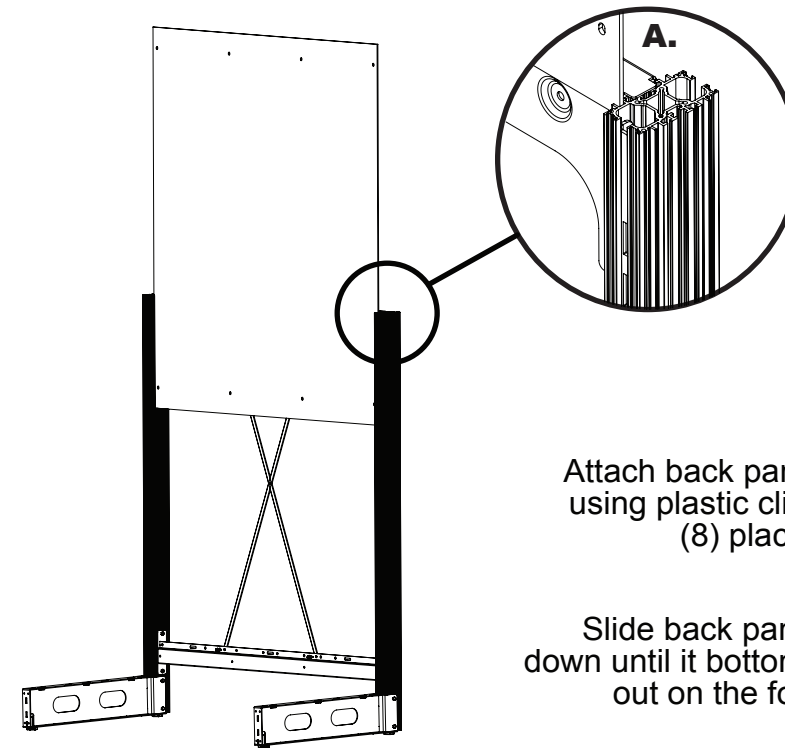
4FT CROSS - KIT OF 1 : ITEM# SV12017
4FT BACK PANEL : ITEM# SV121003

! Depending on available height in space, back panel may need to be installed while unit is laying down !

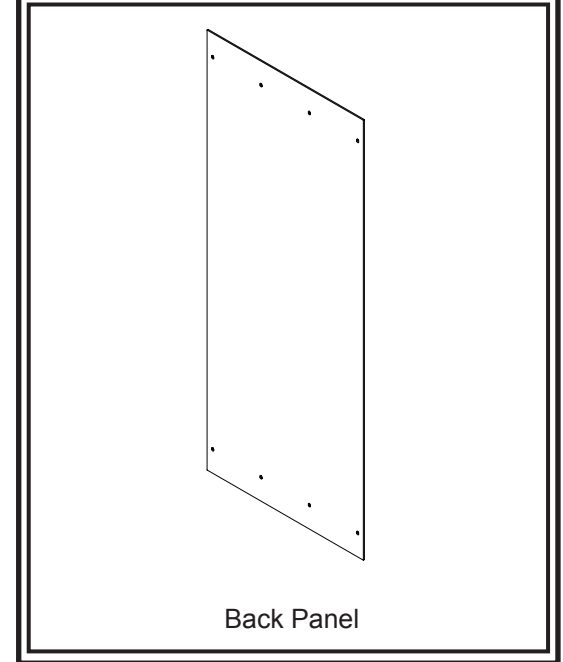
1 Install Back Panel

(A) Locate kit **SV121003 4FT X 60IN Back Panel**. Slide back panel into the correct slot on extrusion (as shown, in front of cross brace).

(B) Secure back panel with Christmas tree clips From **HARDWARE KIT #1**.



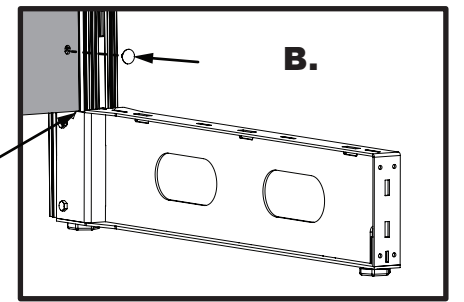
Back Panel Assembly



Back Panel

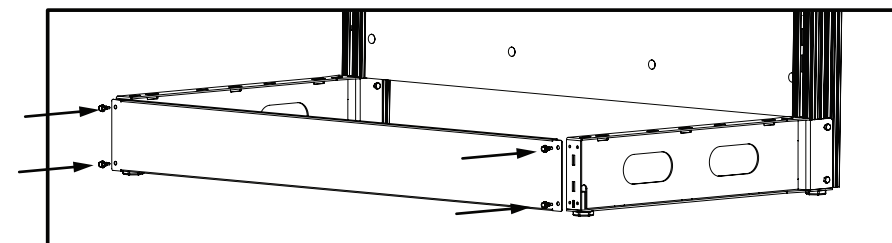
Attach back panel using plastic clips (8) places

Slide back panel down until it bottoms out on the foot



2 Install Toe Kick

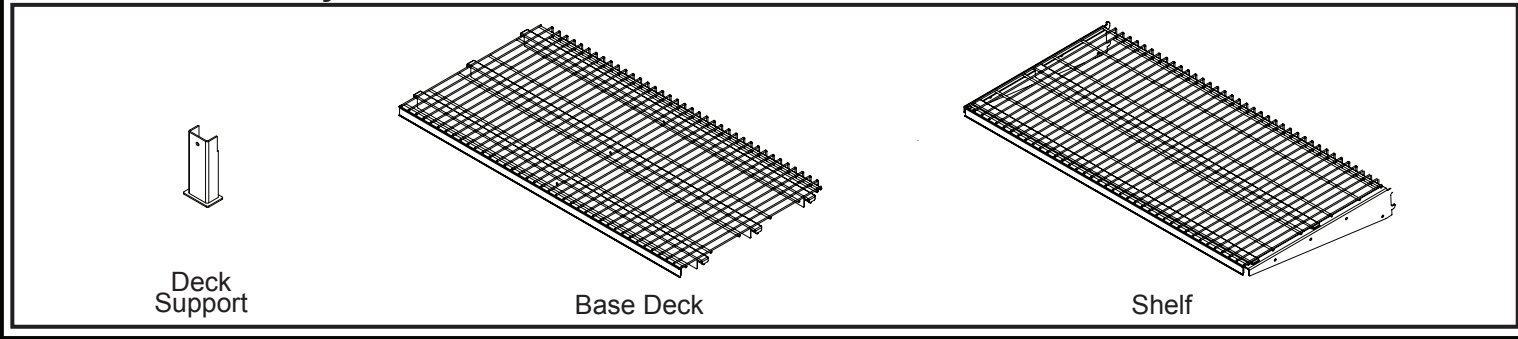
Locate kit **SV12017 4' Cross Kit**. Install toe kick with hardware (4) 1/4" self drilling screws From **HARDWARE KIT #1**, tighten hardware using cordless drill or impact gun with a 3/8" socket.



ADD ON BASE DECK & SHELVING ASSEMBLY

4FT X 24IN BASE KIT - ITEM# SV12013

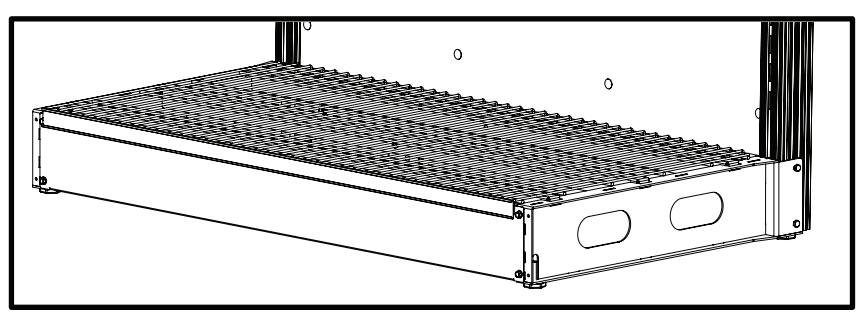
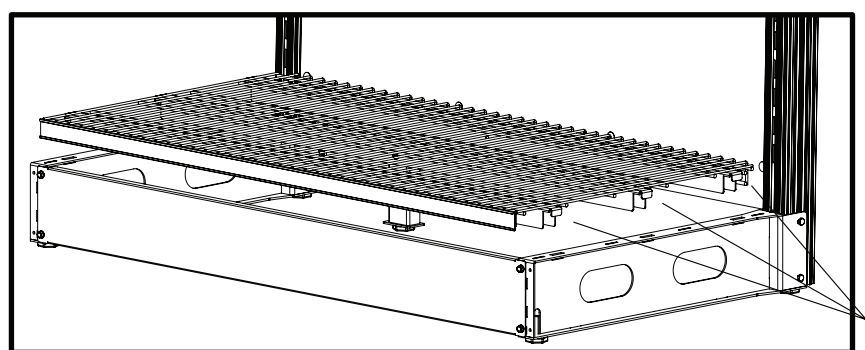
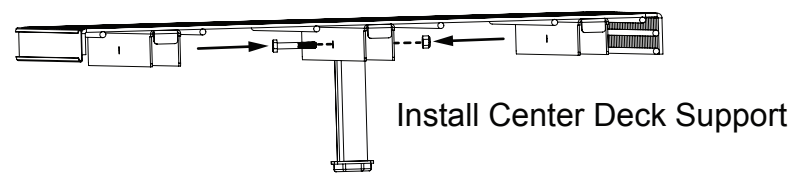
Base Deck Assembly



1 Install Center Deck Support on deck

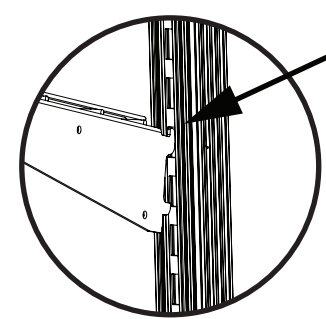
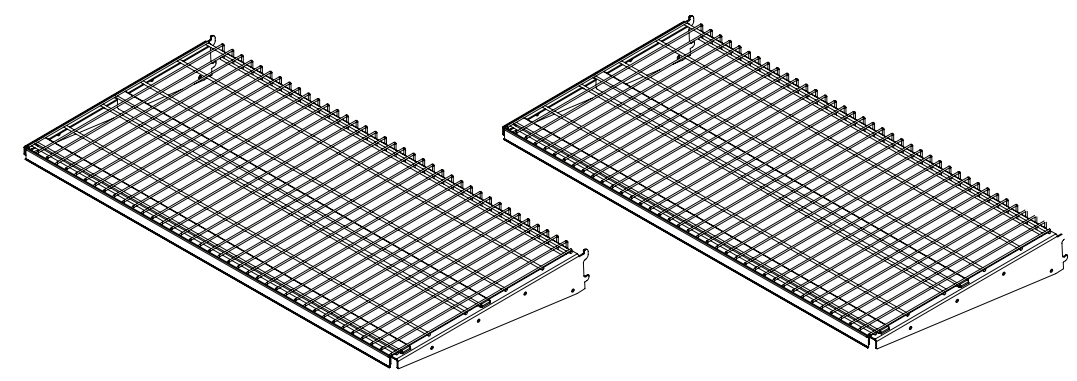
Locate kit **SV12013** and remove the center deck support and 4FT X 24IN Deck.

Install Center deck support on 4FT X 24IN Deck with provided hardware (1) 1/4-20 x 1.750" long hex bolt & (1) 1/4-20 lock nut From **HARDWARE KIT #1**. Tighten with 7/16" wrenches or 7/16" wrench and socket. If deck is too tight, loosen hardware on toe kick to allow easier install.

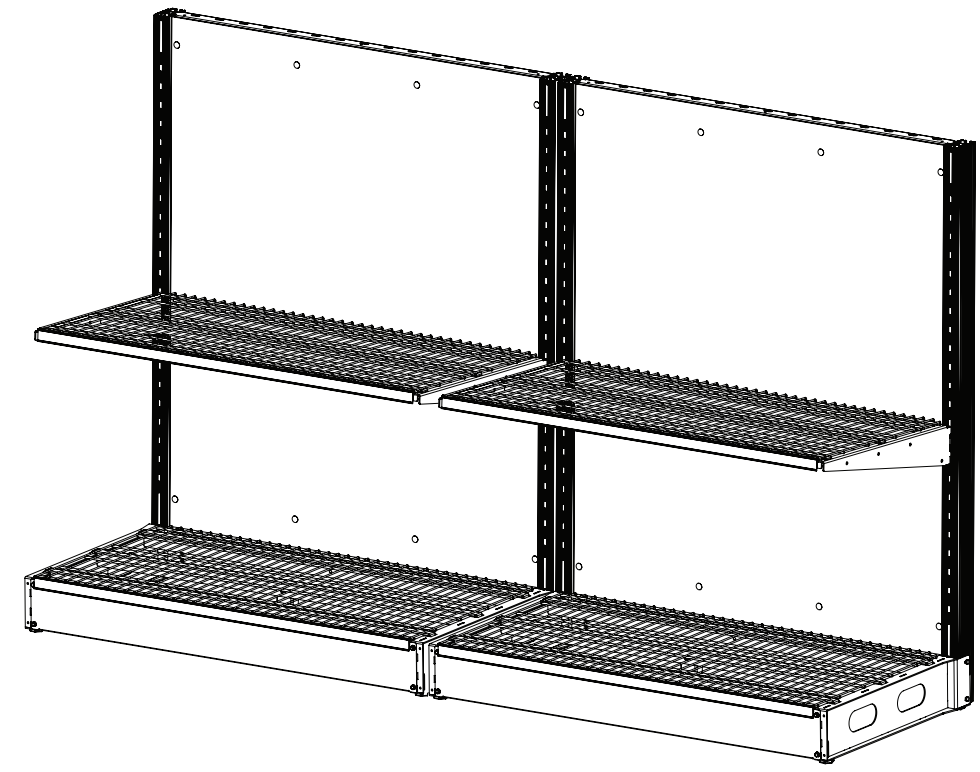
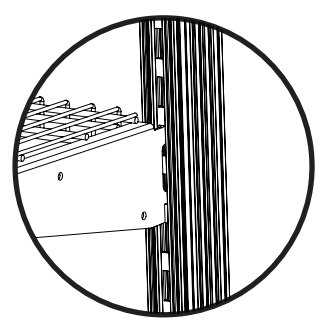


2 Install shelving on Add On Unit

Locate **SV12007 4FT X 24IN DEEP SHELF - KIT OF 2** and **SV12013 - 4FT X 24IN DEEP BASE KIT**. Remove 4FT X 24IN shelves and install on Add-On unit.



Tilt Shelf Up To Engage Top Tooth On Backside Of Upright, Then Allow Shelf To Rotate Down To Engage Bottom Tooth

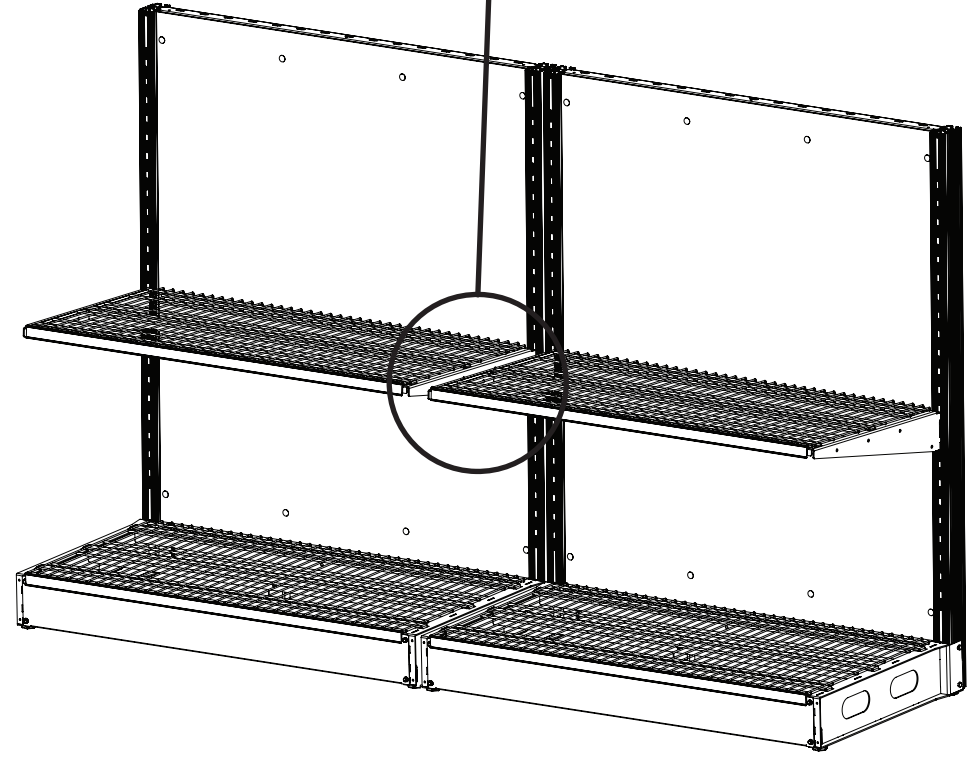
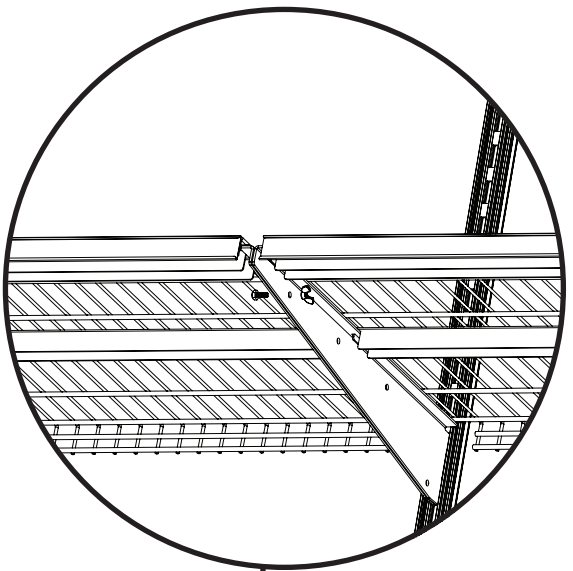


ADD ON BASE DECK & SHELVING ASSEMBLY

(CONTINUED)

3 Bolt shelving together

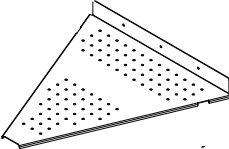
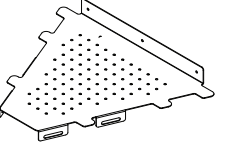


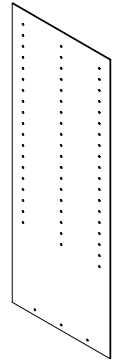
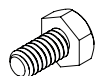
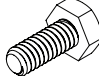
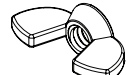
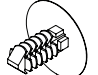
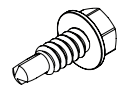
Bolt all shelving together once run is complete with provided hardware 1/4-20 x .625" long hex bolts and 1/4-20 wingnuts from **HARDWARE KIT #1**.



CORNER UNIT ASSEMBLY

60IN CORNER BACK PANEL: ITEM# SV121007
 24IN CORNER KIT: ITEM# SV120022
 CORNER HARDWARE KIT

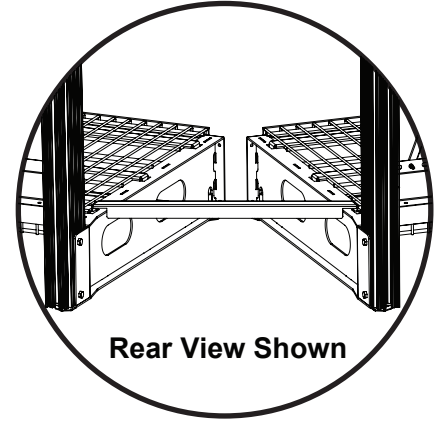
Corner Assembly

Corner Kit Contents:  				 Deck Support  Alignment Plate		Corner Back Panel Kit Contents:  Back Panel
Corner Hardware Kit Contents:						
 (4x) 1/4-20 x .500" Long Hex Bolt	 (12x) 1/4-20 x .625" Long Hex Bolt	 (12x) 1/4-20 Wing Nut	 (12x) Christmas Tree Clip	 (4x) Self Drilling Screw		

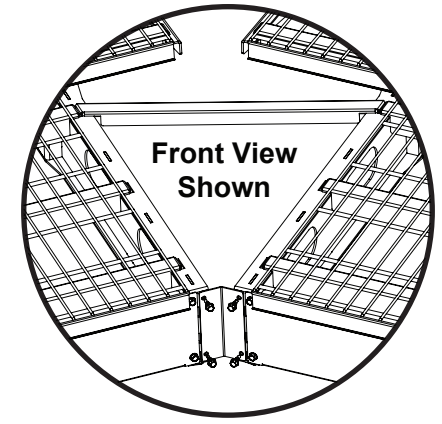
1 2' Starter Unit Required to utilize corner kit (Same shelf depth required to install corner unit). Same assembly method listed previously.

2 Place 2' Starter Unit in correct location (See image below for layout).

3 From **SV120022 24in Corner Kit**, install deck support (no hardware required) and install corner alignment plate with (4) 1/4" self drilling screws from the **CORNER HARDWARE KIT** on saddle base legs of opposite units. This will confirm the alignment is correct.



Install Corner Deck Support Into Rear Slots To Align Rear Portion Of The Corner. Do This (2) Times.



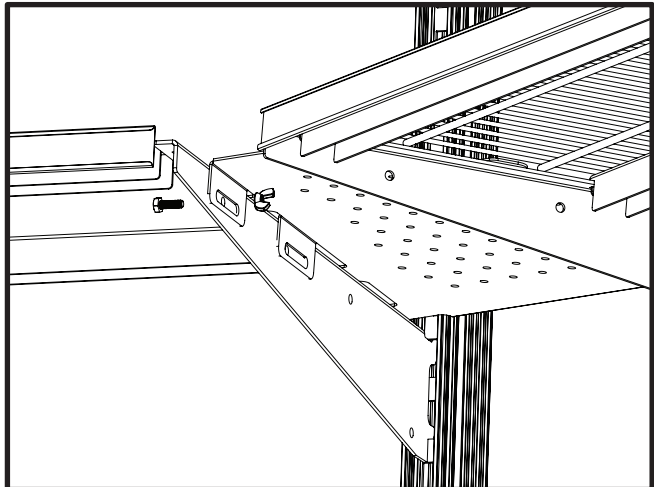
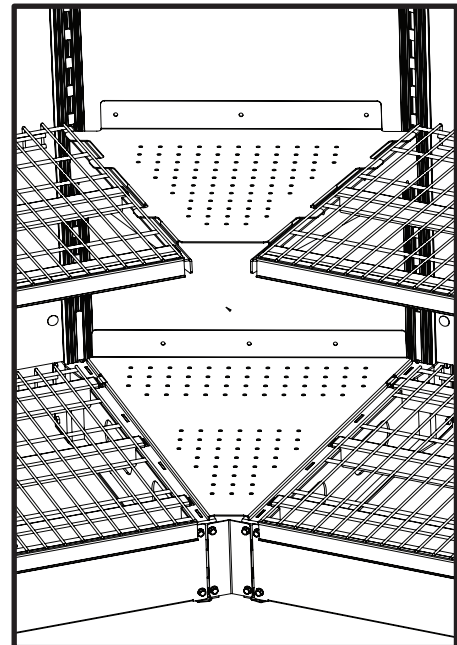
Align Front Of Fixture Using Alignment Plate And Hardware.

CORNER UNIT

ASSEMBLY

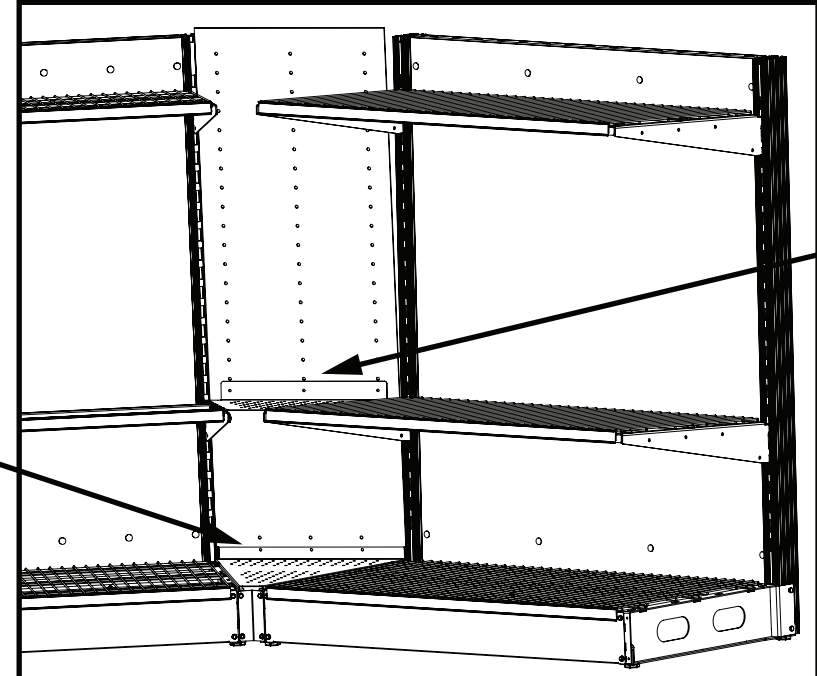
(CONTINUED)

4 Bolt corner shelving to wire shelving with provided hardware 1/4-20 X .500 long hex bolts and 1/4-20 wingnuts from **CORNER HARDWARE KIT**.



*Wire Removed For Clarity

5 From **SV12007 60in Corner Back Panel Kit**, install back panel with Christmas tree clips, attaching to flanges on back of corner deck and corner shelves



Remainder Of Panel Will Be Behind Corner Shelves

Bottom Of Panel Sits In Front Of Lip On Deck

6 Secure corner shelves to back panel with plastic fasteners.

