

Technical Information

Reveal® - Combination Convertible Service Above Refrigerated Self-Service Case

Structural Concepts®

DELIVERING FRESH. ALWAYS.™

DIMENSIONS / SHIPPING				
Model	L"	L1"	L2"	Est Wt (lbs)
NR3651RRSSV	N/A	35.750	7.500	800
NR4851RRSSV	N/A	47.750	7.500	950
NR6051RRSSV	N/A	59.750	7.500	1,100
NR7251RRSSV	N/A	71.750	7.500	1,200

ELECTRICAL																
Model	System Circuit Volts				Ph	Frq	Rated Load Amps	Min Cir Amps	Max OCP Amps	Watts	Wires	NEMA Plug	Amps Lights	Amps Fans	Amps Anti-Sweats	Amps Misc/Refrig/Heat
NR3651RRSSV	Remote (DX)	Circuit #1	110-120	1	60	1.37	15	15	70	2+G	Leads Multiple	0.70	0.30	0.29	0.08	
	Remote (DX)	Circuit #1	110-120	1	60	1.37	15	15	70	2+G	Leads Multiple	0.70	0.30	0.29	0.08	
	Self-Contained (R290)	Circuit #1	110-120	1	60	15.27	20	20	1,523	2+G	5-20P or L5-20P	N/A	0.45	4.20	10.62	
NR4851RRSSV	Remote (DX)	Circuit #1	110-120	1	60	1.74	15	15	98	2+G	Leads Single	0.70	0.60	0.36	0.08	
	Remote (DX)	Circuit #1	110-120	1	60	1.74	15	15	98	2+G	Leads Single	0.70	0.60	0.36	0.08	
	Self-Contained (R290)	Circuit #1	208-240	1	60	16.00	20	20	2,810	2+G	6-20P or L6-20P	N/A	0.44	3.59	13.36	
NR6051RRSSV	Remote (DX)	Circuit #1	110-120	1	60	1.85	15	15	116	2+G	Leads Single	0.70	0.60	0.47	0.08	
	Remote (DX)	Circuit #1	110-120	1	60	1.85	15	15	116	2+G	Leads Single	0.70	0.60	0.47	0.08	
	Self-Contained (R290)	Circuit #1	208-240	1	60	16.00	20	20	2,830	2+G	6-20P or L6-20P	N/A	0.44	3.63	13.36	
NR7251RRSSV	Remote (DX)	Circuit #1	110-120	1	60	1.92	15	15	129	2+G	Leads Single	0.70	0.60	0.54	0.08	
	Remote (DX)	Circuit #1	110-120	1	60	1.92	15	15	129	2+G	Leads Single	0.70	0.60	0.54	0.08	
	Self-Contained (R290)	Circuit #1	208-240	1	60	16.00	20	20	2,850	2+G	6-20P or L6-20P	N/A	0.44	3.67	13.36	

REFRIGERATION															
Model	Zone	Section	System	Envt	REMOTE REFRIGERATION					GLYCOL / R744 REFRIGERATION					
					SST (°F)	Conv. Rack BTUH	Para. Rack BTUH	Defrost Interval (Hrs)	Defrost Duration	Total GPM	Pressure Drop (psi)	Concent (%)	Liquid Temp (°F)		
NR3651RRSSV	All	Refrigerator	Remote-DX	Type II	20	1,944	1,800	4.00	30.00	N/A	N/A	N/A	N/A		
	All	Refrigerator	Remote-DX	Type I	20	1,620	1,500	4.00	30.00	N/A	N/A	N/A	N/A		
	All	Main	Self-Contained-R290	Type II	N/A	N/A	N/A	N/A	N/A	N/A	N/A	N/A	N/A		
NR4851RRSSV	All	Refrigerator	Remote-DX	Type II	20	2,592	2,400	4.00	30.00	N/A	N/A	N/A	N/A		
	All	Refrigerator	Remote-DX	Type I	20	2,117	1,960	4.00	30.00	N/A	N/A	N/A	N/A		
	All	Main	Self-Contained-R290	Type II	N/A	N/A	N/A	N/A	N/A	N/A	N/A	N/A	N/A		
NR6051RRSSV	All	Refrigerator	Remote-DX	Type II	20	3,154	2,920	4.00	30.00	N/A	N/A	N/A	N/A		
	All	Refrigerator	Remote-DX	Type I	20	2,635	2,440	4.00	30.00	N/A	N/A	N/A	N/A		
	All	Main	Self-Contained-R290	Type II	N/A	N/A	N/A	N/A	N/A	N/A	N/A	N/A	N/A		
NR7251RRSSV	All	Refrigerator	Remote-DX	Type II	20	3,758	3,480	4.00	30.00	N/A	N/A	N/A	N/A		
	All	Refrigerator	Remote-DX	Type I	20	3,154	2,920	4.00	30.00	N/A	N/A	N/A	N/A		
	All	Main	Self-Contained-R290	Type II	N/A	N/A	N/A	N/A	N/A	N/A	N/A	N/A	N/A		

INTENDED ENVIRONMENT		
Type II - Designed to operate in ambient conditions of 80°F and 55% relative humidity unless noted otherwise under Envt above.		
WARMEST AVERAGE PRODUCT TEMP & INTENDED USE OF ZONES		
Zone	Temp (°F)	Intended Use
1	40	Packaged / unpackaged refrigerated products

IMPORTANT NOTES
1) REMOTE REFRIGERATION NOTE: Condensing unit not included, floor drain required.
2) ELECTRICAL NOTE: If GFCI is required, a GFCI breaker MUST be used in lieu of a GFCI receptacle.
3) Glass warranty only applicable to first point of delivery.
4) Compressor air intake from rear and out front panel at toe kick. Front panel cannot be blocked.

REGULATORY	
All Models	Accordance with AHRI Std 1200 ETL Listed to UL 471 ETL Listed to CAN/CSA 22.2 No. 120 ETL Sanitation to NSF/ANSI 7



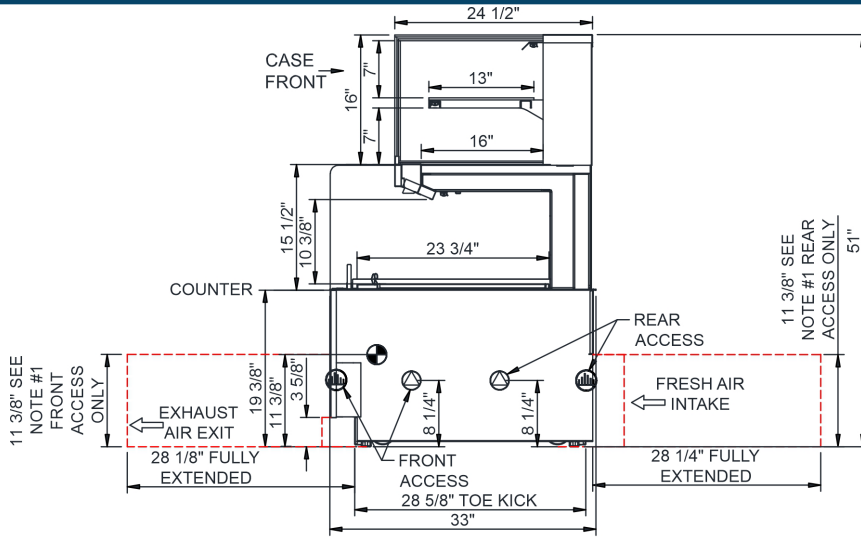
In Accordance with
AHRI Std 1200

Technical Information

Reveal® - Combination Convertible Service Above Refrigerated Self-Service Case

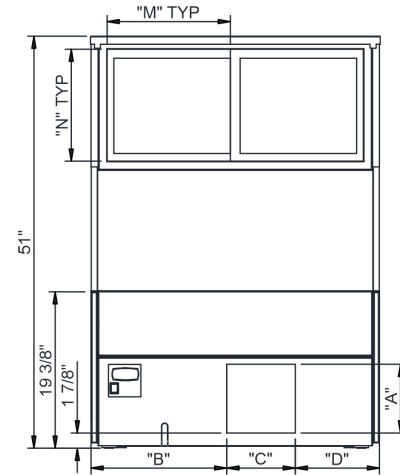
Structural Concepts®

DELIVERING FRESH. ALWAYS.™



NOTES:

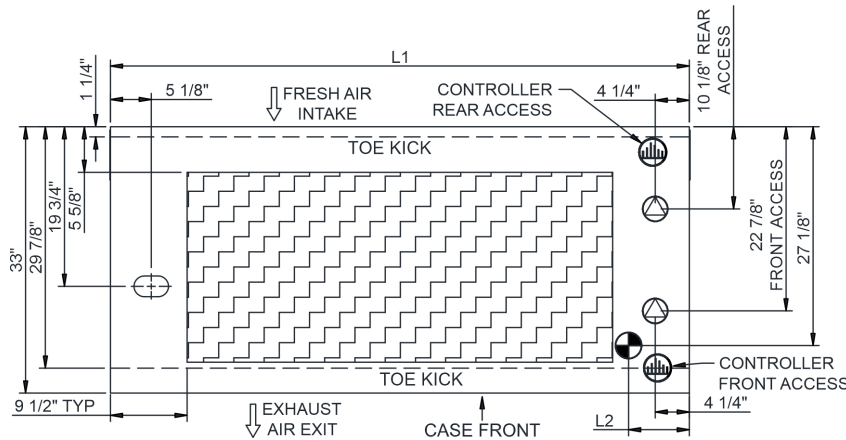
1. 11 3/8" TALL, FULL WIDTH OF CASE OPENING IN CABINET OR COUNTER IS REQUIRED TO PULL OUT REFRIGERATION SYSTEM.
2. BACK OF COUNTER / CABINET MUST BE VENTED PROPERLY FOR ADEQUATE AIRFLOW TO CONDENSER.
3. REPRESENTS REAR PULLOUT REFRIGERATION. AIR FLOW INTAKE AND EXIT DETAILS ARE REVERSED WITH FRONT PULLOUT REFRIGERATION OPTION.
4. SELF-CONTAINED ACCESS ONLY BY PULLING OUT CONDENSER UNIT.
5. 4" OPEN AREA CLEARANCE REQUIRED FOR AIR FLOW FRONT AND REAR OF CASE.



REAR VIEW

	"A"	"B"	"C"	"D"
NR3651RRSSV	8 1/2"	16 7/8"	8 1/2"	10 1/2"
NR4851RRSSV	8 1/2"	13 3/4"	8 1/2" x2	10 1/2"
NR6051RRSSV	8 1/2"	19 1/2"	8 1/2" x2	10 1/2"
NR7251RRSSV	8 1/2"	22 7/8"	8 1/2" x2	10 1/2"

	"M"	"N"
NR3651RRSSV	14 1/2"	13 7/8"
NR4851RRSSV	20 1/2"	13 7/8"
NR6051RRSSV	26 1/2"	13 7/8"
NR7251RRSSV	32 1/2"	13 7/8"



NOTE: ALL DIMENSIONS APPROXIMATE

⊗ ELECTRICAL JUNCTION BOX (SUPPLIED WITH 6" LEADS OR POWER CORD).
 ⊕ LOCATION OF DRAIN TUBE FOR REMOTE REF. ONLY (SUPPLIED WITH 3/4" OR 1 1/2" PVC TUBE).

⊕ REFRIGERATION LINE CONNECTION.
 ⊕ REMOTE FLOOR SINK & UTILITIES ACCESS AREA.

⊗ SELF-CONTAINED CASE SERVICE ACCESS AREA.
 ⊗ DRY CASE SERVICE ACCESS AREA.