

# 5070

## Worktop Freezers

Model #: MEWF-27-A, MEWF-48-A  
MEWF-60-A, MEWF-72-A

### Product Details

#### Exterior:

- 430 Stainless Steel
- Self-closing doors
- 90° stay-open feature
- Magnetic door gasket(s)
- Recessed handles for easy opening/cleaning
- Digital controls and LED temperature display
- Security lock with key
- (4) 4" casters - 2 locking, 2 non-locking

#### Interior:

- Aluminum
- Adjustable plastic coated steel shelves (1 per section; 90 lbs load capacity each)
- Auto-defrost system
- Holding temperature: -10°F to 10°F

Not suitable for installation in non-commercial or residential applications.

### Specifications

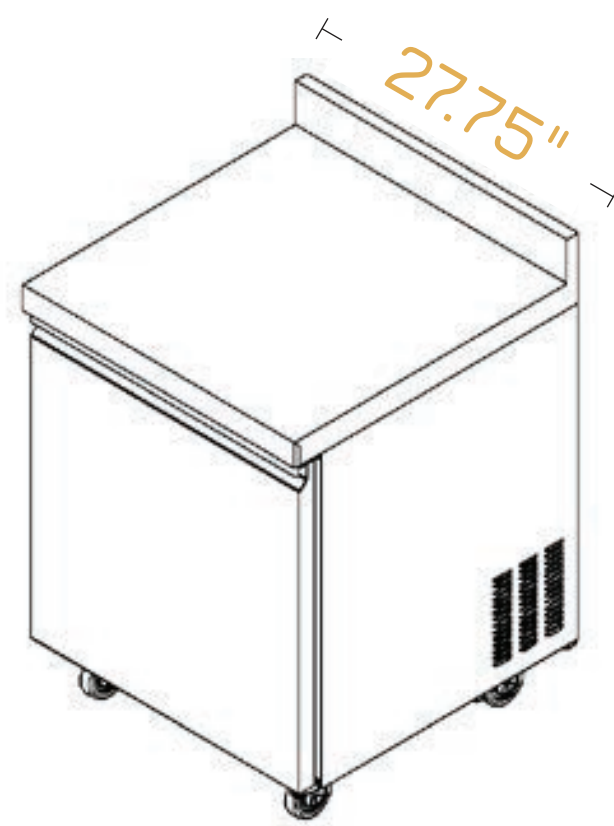
Model	External Dimensions	Internal Dimensions	NET. Volume	Holding Temperature Range	Doors/ Shelves	Refrigerant Type	Electrical	AMP/ WATTS
MEWF-27-A	27.7" x 30.5" x 37.5"	24.75" x 21" x 27"	7.3 Cu Ft	33°F to 41°F	1 / 1	R600A	115V/60Hz/1Ph	-
MEWF-48-A	48.5" x 30.5" x 37.5"	44.25" x 21" x 27"	12.9 Cu Ft	33°F to 41°F	2 / 2	R290	115V/60Hz/1Ph	-
MEWF-60-A	60.2" x 30.5" x 37.5"	56" x 21" x 27"	16.3 Cu Ft	33°F to 41°F	2 / 2	R290	115V/60Hz/1Ph	-
MEWF-72-A	71.7" x 30.5" x 37.5"	67.5" x 19.75" x 23.5"	19.6 Cu Ft	33°F to 41°F	2 / 2	R290	115V/60Hz/1Ph	-

# 5070

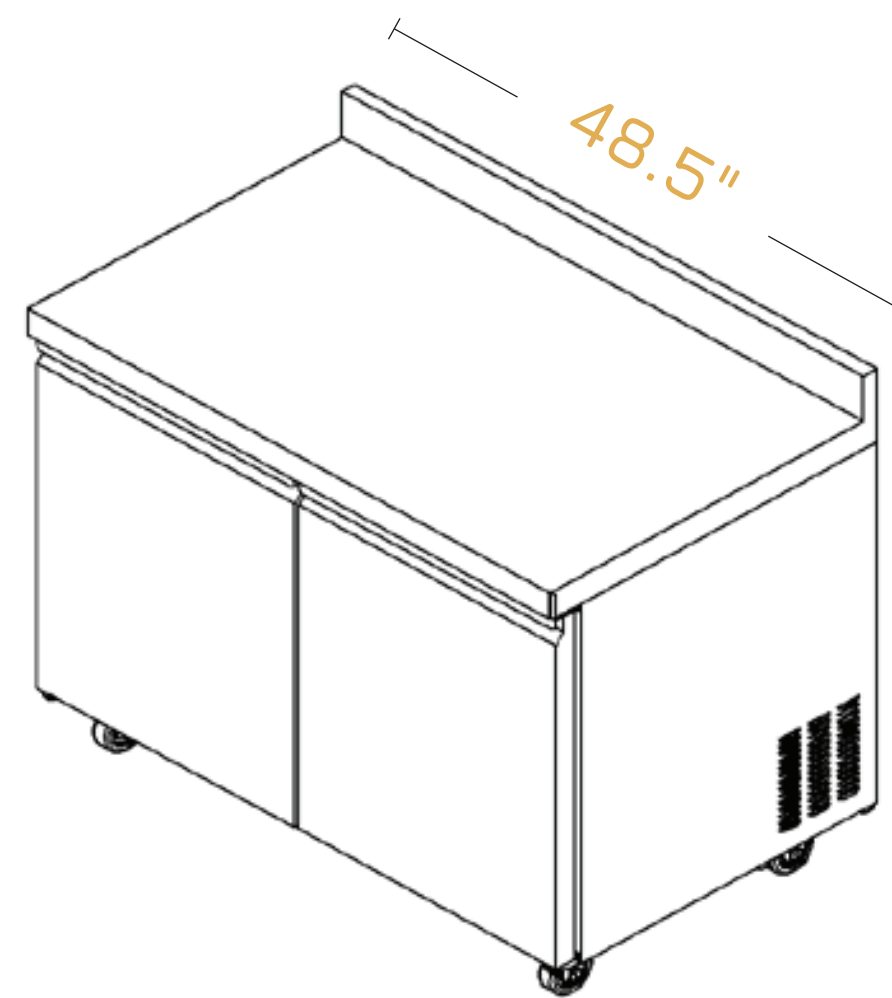
## Worktop Freezers

Model #: MEWF-27-A, MEWF-48-A  
MEWF-60-A, MEWF-72-A

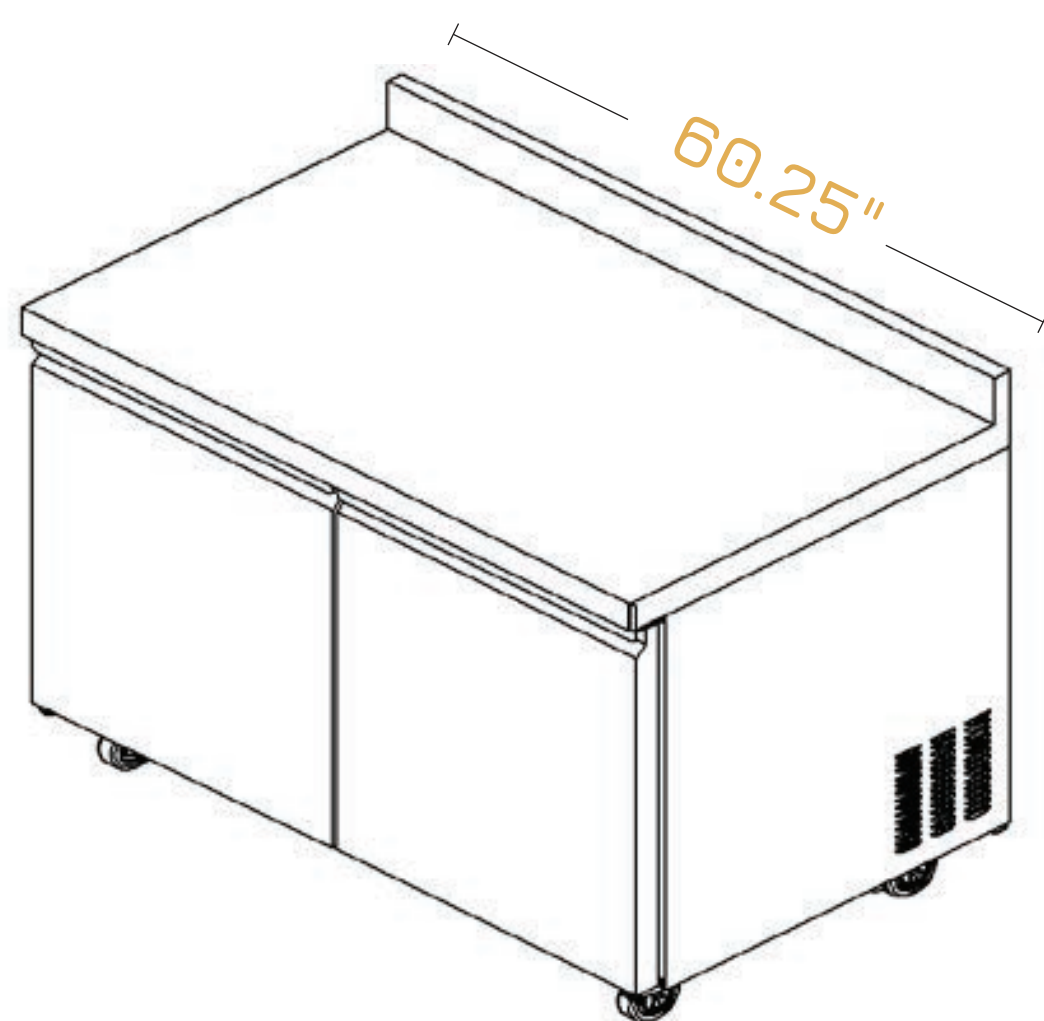
FRONT VIEW



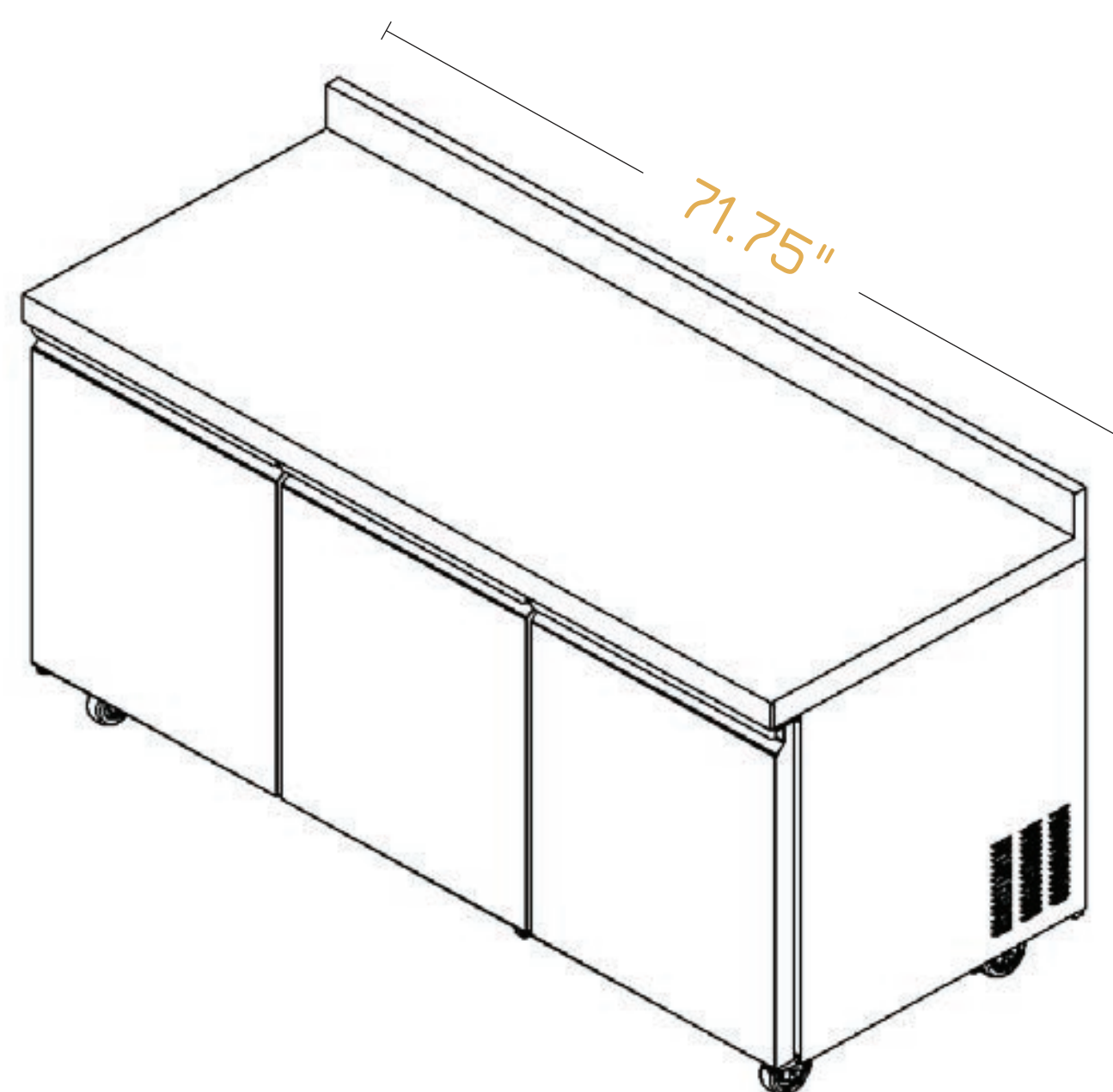
MEWF-27-A



MEWF-48-A



MEWF-60-A



MEWF-72-A