

Master Series High Shelves

Project _____
 Item _____
 Quantity _____
 CSI Section 11400
 Approved _____
 Date _____

Models

Double-Deck High Shelves

- M17DD • M24DD • M29DD • M34DD • M41DD
- M46DD • M48DD • M51DD • M58DD • M68DD

Single-Deck High Shelf

- M17SD • M24SD • M29SD • M34SD • M41SD
- M46SD • M48SD • M51SD • M58SD • M68SD



M34SD

Standard Features

- Stainless steel front and both sides are standard
- Provides recommended emit venting for safe & efficient operation of all Master Series ranges attachments, open broilers and fryers.
- Designed for easy and precise attachment to all Master Series ranges and equipment
- Available optional stainless steel main back
- Available in range of ten, (10), standard sizes up to a maximum of 68 inches, (1728mm)

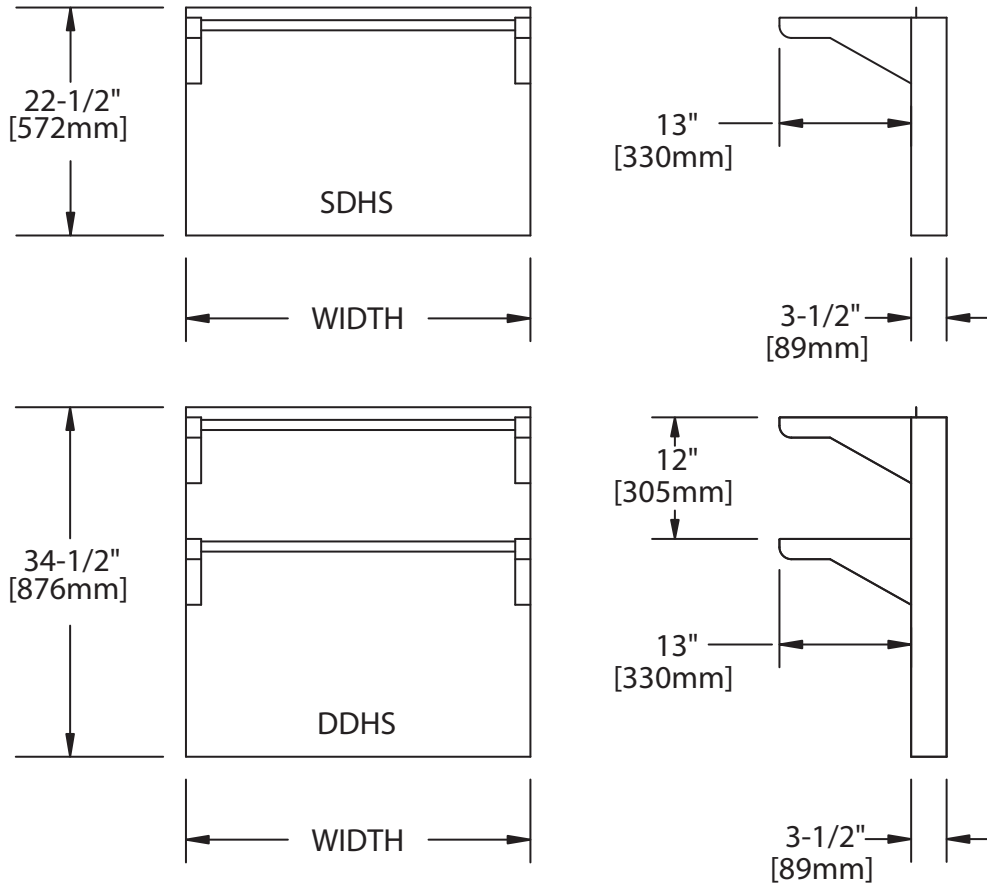
Specifications

Double and Single-Deck High Shelves are precisiondesigned to install with all Master Series ranges, and attachments up to a maximum width of 68 inches, (1728mm), (other sizes can be special-ordered). Shelves constructed of 1" (25mm) square tubing with 1" (25mm) spaces between each tube, provide convenient storage for condiments and cooking utensils.

Master Series HighShelves

Master Series High Shelves

DDHS = Double-Deck High Shelf
 SDHS = Single-Deck High Shelf



Garland reserves the right to make changes to the design or specifications without prior notice.

Garland Commercial Ranges Ltd.
 1177 Kamato Road,
 Mississauga, Ontario
 L4W 1X4 CANADA

General Inquires 1-905-624-0260
 USA Sales, Parts and Service 1-800-424-2411
 Canadian Sales 1-888-442-7526
 Canada or USA Parts/Service 1-800-427-6668

www.garland-group.com
 6904B
 07/25

