



# HOSHIZAKI

## Parts List

Steelheart B Series  
Refrigerated Kitchen Equipment

Models  
Undercounter Side-Mount  
Worktop Side-Mount



[hoshizakiamerica.com](https://www.hoshizakiamerica.com)

Number: 71444  
Issued: 5-30-2024

## CONTENTS

Auxiliary Codes.....	3
Model Codes .....	4
A. Main Assembly .....	5
_LR46B(-D2), _LF46B Undercounter, Worktop.....	5
_LR60B(-Dx), _LF60B, _LR67B(-Dx), _LF67B Undercounter, Worktop.....	6
_LR93B(-Dx) Undercounter, Worktop.....	7
B. Refrigeration Circuit.....	9
_LR46B(-D2), _LF46B, _LR60B(-Dx), _LF60B, _LR67B(-Dx), _LF67B, _LR93B(-Dx).....	9
C. Door-Right Hinged Solid.....	11
D. Door-Left Hinged Solid .....	12
E. Drawers .....	13
F. Accessories & Labels.....	14

## Auxiliary Codes

### **ULR46B**

N-5 August 2023

### **ULR46B-D2**

N-5 August 2023

### **WLR46B-D2**

N-5 September 2023

### **ULF46B**

P-5 January 2024

### **WLF46B**

P-5 January 2024

### **ULR60B**

N-5 September 2023

P-5 February 2024

### **ULR60B-D2**

N-5 September 2023

### **ULR60B-D4**

N-5 September 2023

### **WLR60B**

N-5 September 2023

### **WLR60B-D4**

N-5 October 2023

### **ULF60B**

P-5 January 2024

### **WLF60B**

P-5 January 2024

### **ULR67B**

N-5 October 2023

P-5 February 2024

### **ULR67B-D2**

N-5 October 2023

### **ULR67B-D4**

N-5 October 2023

### **WLR67B**

P-5 February 2024

### **WLR67B-D4**

N-5 October 2023

### **ULF67B**

P-5 February 2024

### **WLF67B**

P-5 February 2024

### **ULR93B**

N-5 September 2023

P-5 February 2024

### **ULR93B-D2**

TBD

### **ULR93B-D4**

N-5 September 2023

### **ULR93B-D6**

N-5 September 2023

### **WLR93B-D6**

N-5 October 2023

## **Model Codes**

The model number code breakdown is as follows:

U - Undercounter

W - Worktop

S - Prep Table

R - Refrigerator

F - Freezer

27, 36, 48, 60, 72 - Width

After Dash (-) Nomenclature:

-GLP - Glass Door with Low Profile Casters

-01 - Locks

-LP - Low Profile Casters

-LPC - Low Profile Stainless Steel Shelf

-LPW - Low Profile Salad Dressing Holders on Door

-D2, -D4, -D6 - Drawers and Drawer/Door Combination

-8, -10, -12, -16, -18 - Prep Table Number of Pans

-12M, -15M, -18M, -24M, -30M – Mega Top Number of Pans

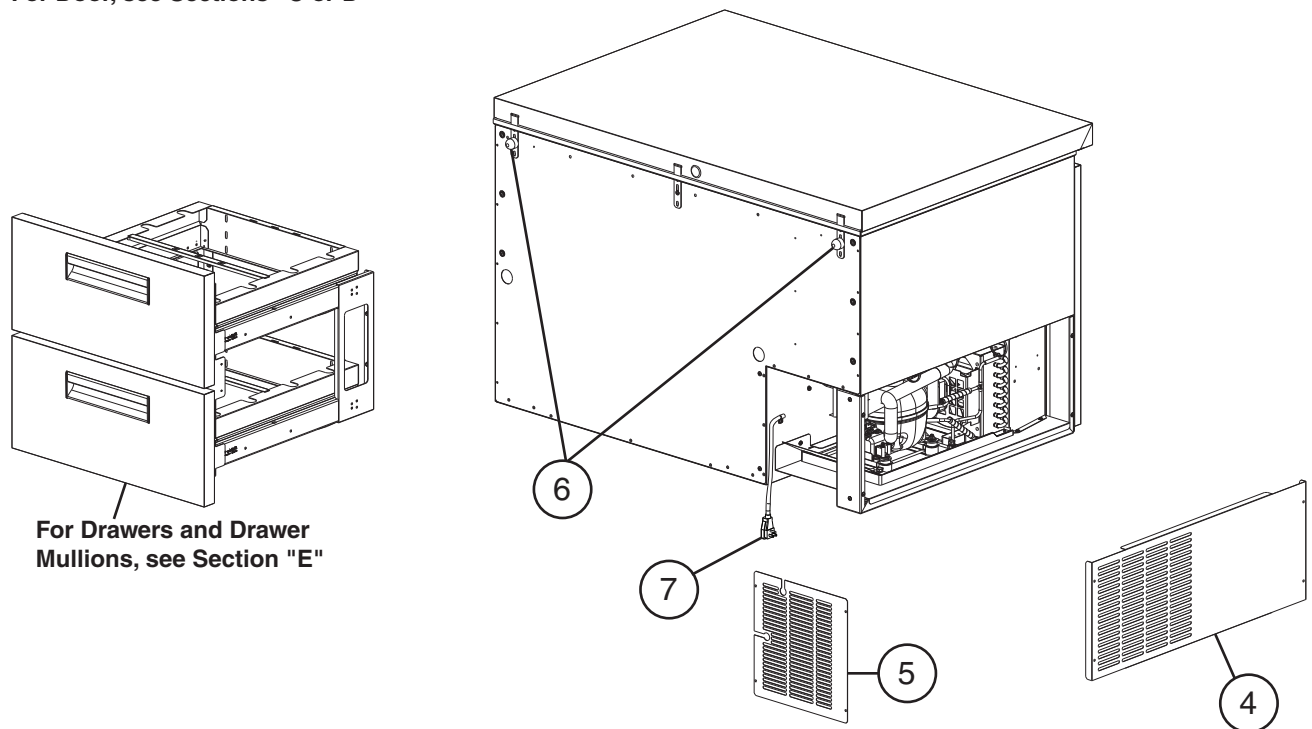
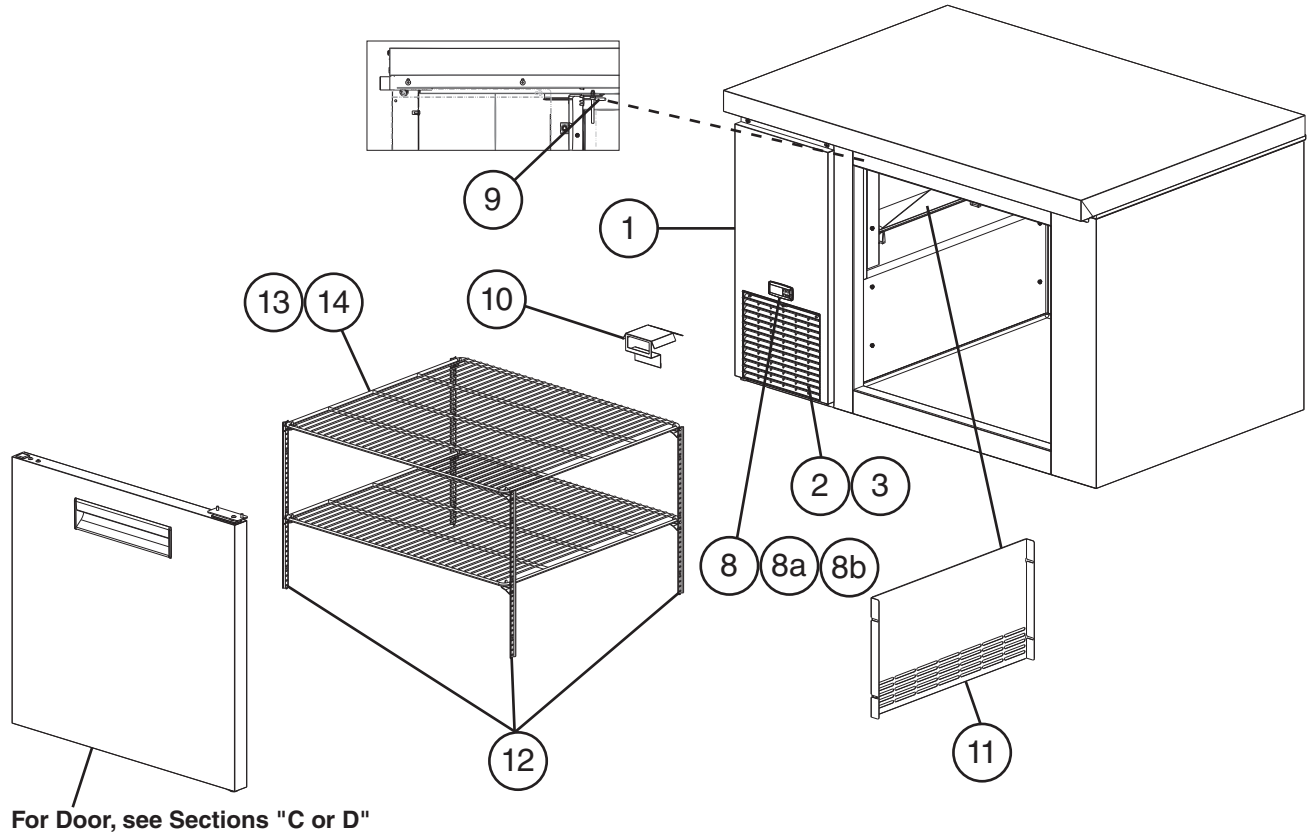
## **Auxiliary Code Breakdown**

The auxiliary code is the first two characters in the serial number. The first character indicates the year. Years progress or regress in alphabetical order. The series runs from "A" through "V" and the letters "I" and "O" are skipped. The second character indicates significant part changes within a year. Base is "5" and this number advances for each change. In cases where there is a letter in parentheses, this designates the month. This is the last character in the serial number. The series runs from "(A)" through "(M)" and the letter "(I)" is skipped. This designation is only included when identifying a parts change within an auxiliary code.

## **Note About Ordering Parts**

Most assemblies cannot be ordered as complete units; parts in the assemblies generally must be ordered separately.

**A. Main Assembly**  
**\_LR46B(-D2), \_LF46B Undercounter, Worktop**  
**1/3**  
 N-5, P-5

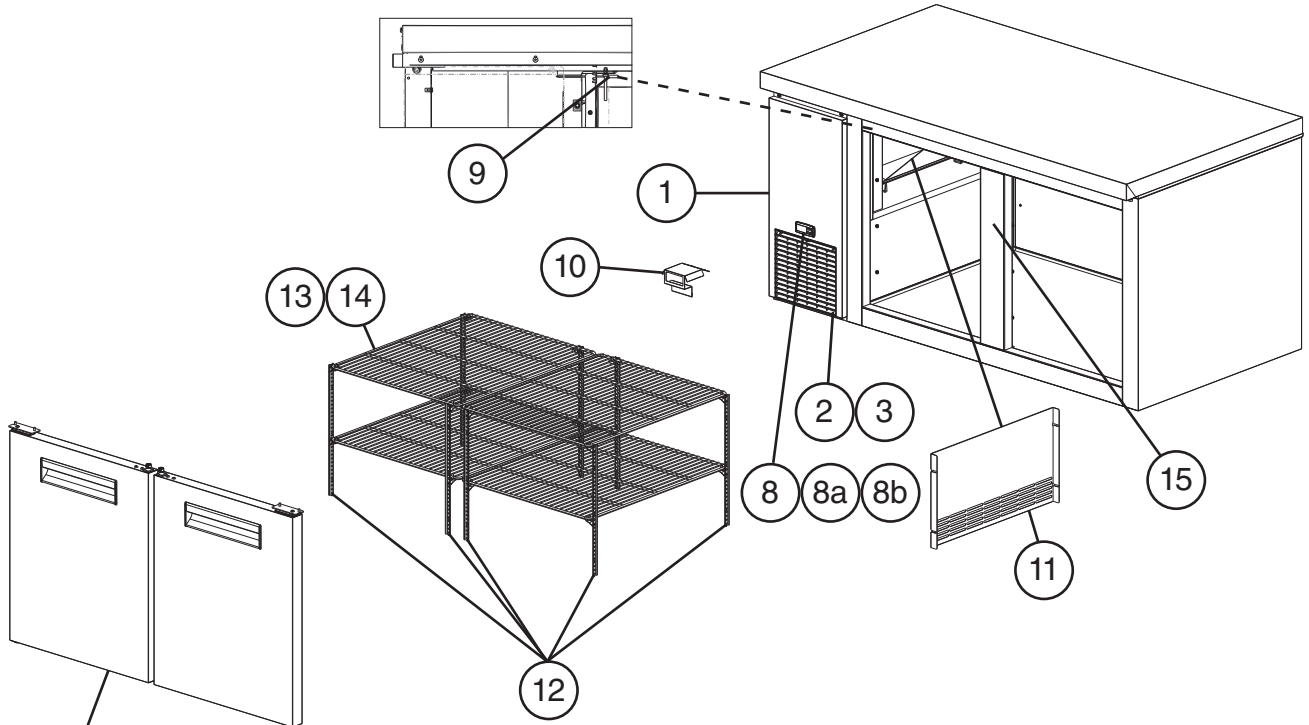


# A. Main Assembly

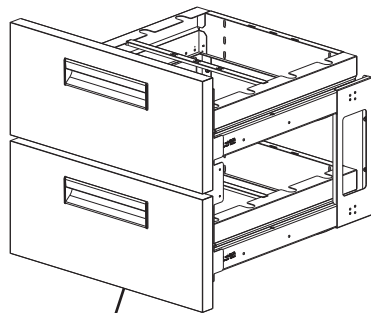
\_LR60B(-Dx), \_LF60B, \_LR67B(-Dx), \_LF67B Undercounter, Worktop

2/3

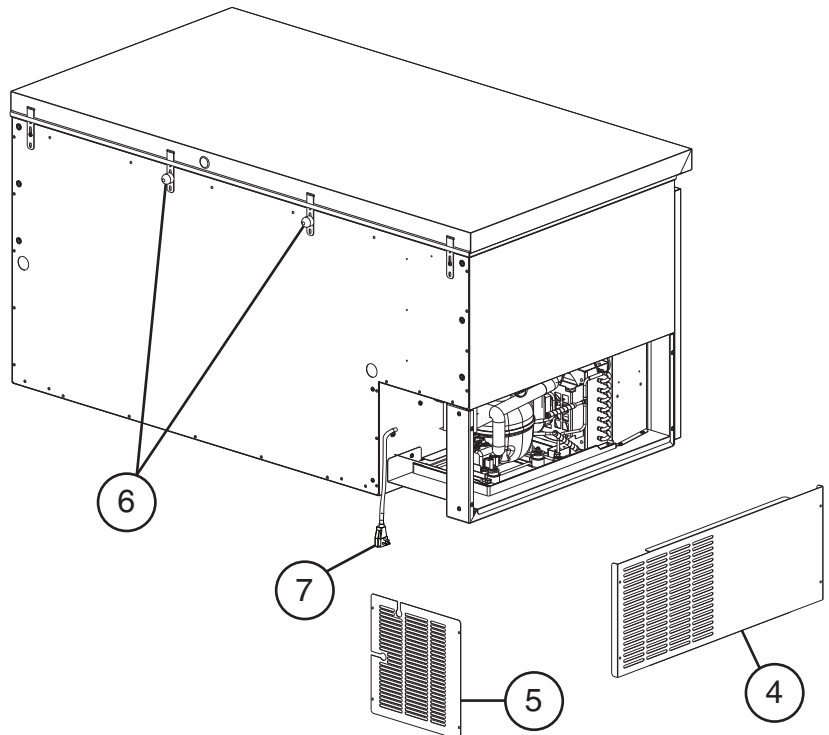
N-5, P-5



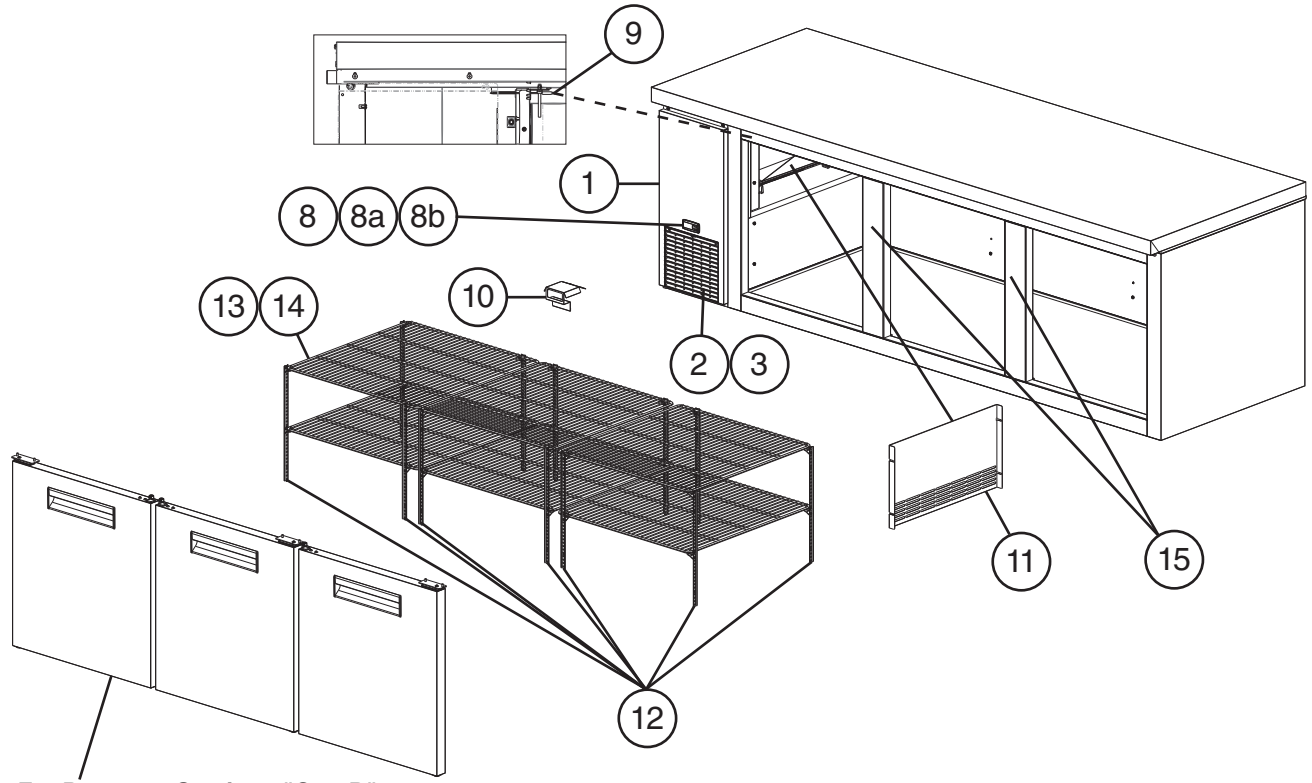
For Door, see Sections "C or D"



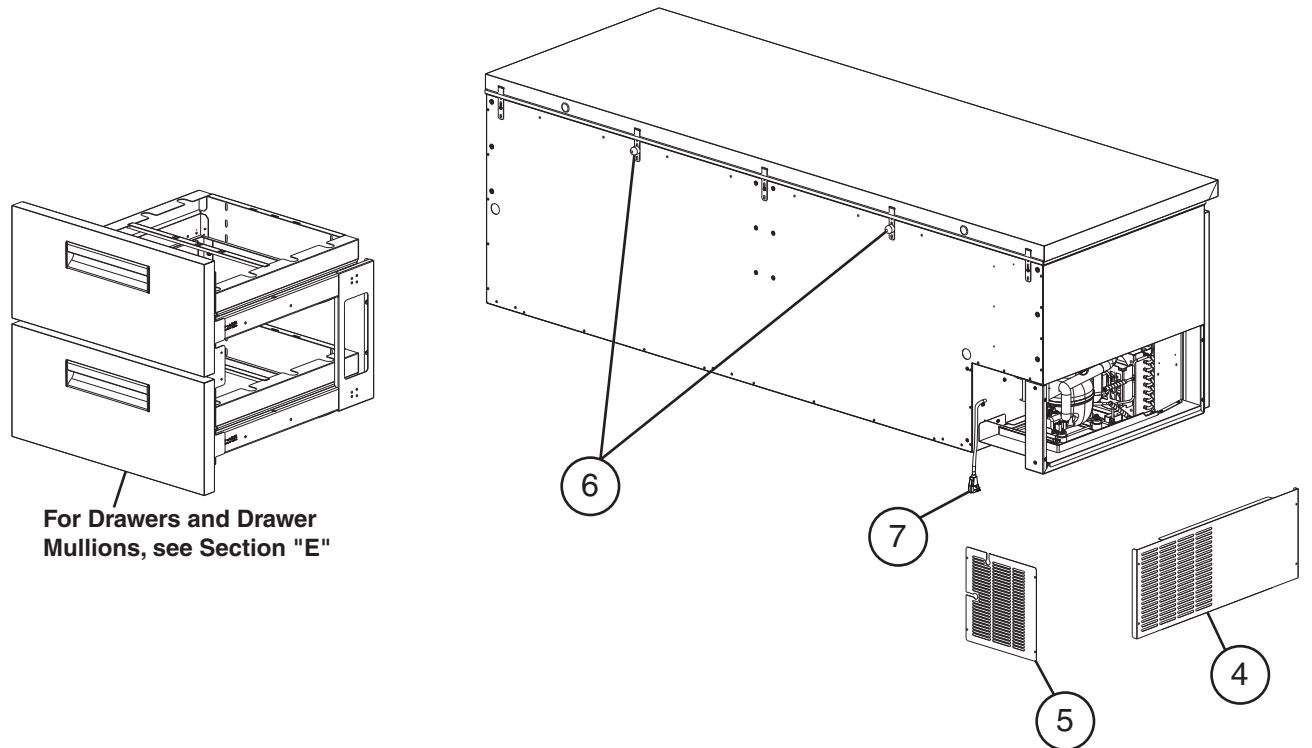
For Drawers and Drawer Mullions, see Section "E"



**A. Main Assembly**  
**LR93B(-Dx) Undercounter, Worktop**  
**3/3**  
 N-5, P-5



For Door, see Sections "C or D"



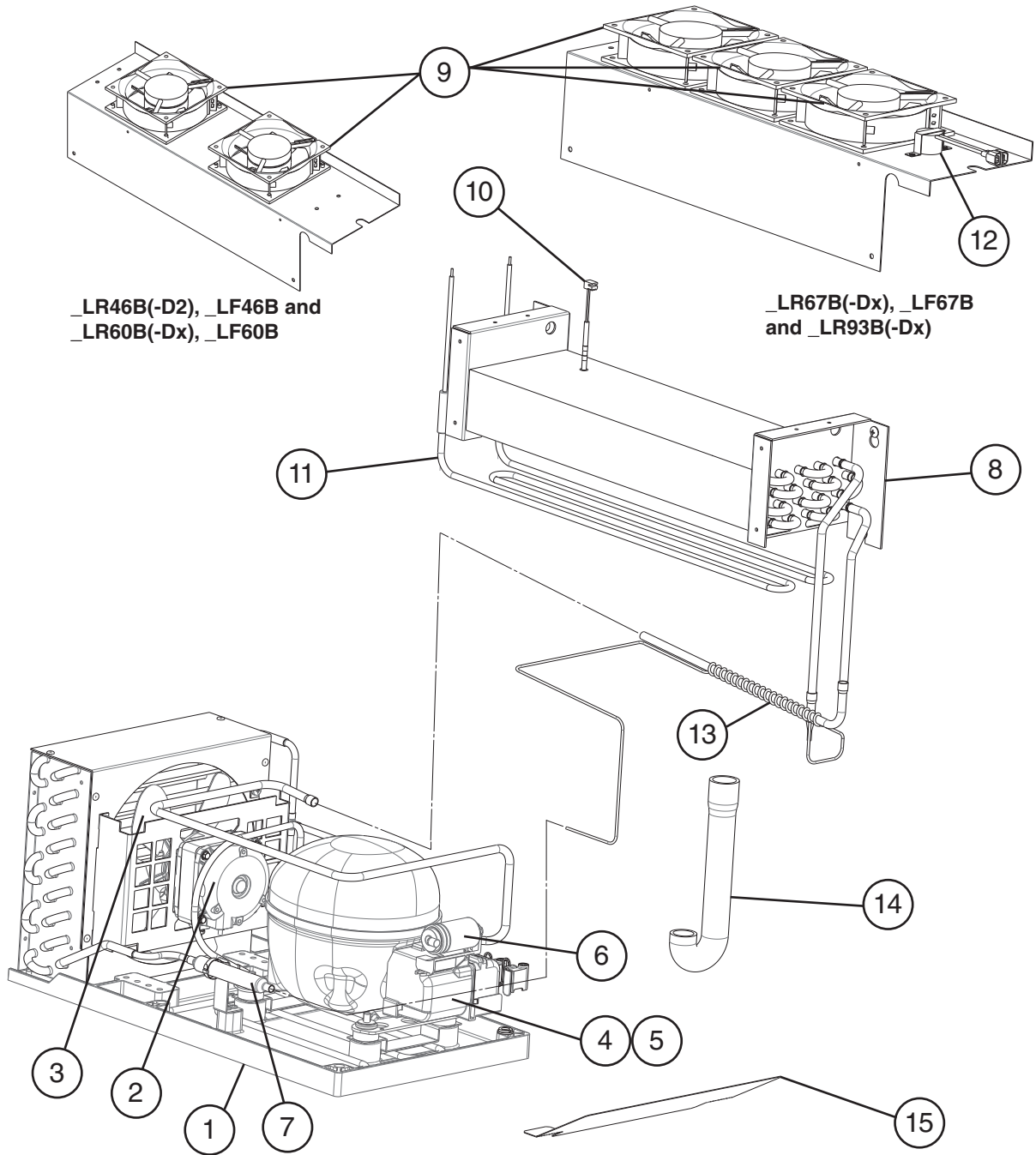
For Drawers and Drawer Mullions, see Section "E"

Title: A. Main Assembly Models: _LR46B(-D2), _LF46B, _LR60B(-Dx), _LF60B, _LR67B(-Dx), _LF67B, _LR93B(-Dx)												
Index No.	Description	Material or Model Number	Part Number	Required Number								
				N-5								
1	Front Panel (includes items 2 and 3)		3B1699A01	1								
2	Louver		103344-07	1								
3	Air Filter		208840G03	1								
4	Left Side Panel		2A9985-01	1								
5	Rear Louver Panel		3B0980-01	1								
6	Bumper		3A6696-01	2								
7	Wire Harness (includes power supply cord)		3B1666-01	1								
8	Cabinet Control Module (includes items 8a and 8b)	_LR_B	4A7415G01	1								
		_LF_B	4A7456G01	1								
8a	Retainer Clip		4A7085-01	2								
8b	Control Module Gasket		4A7127-01	1								
9	Cabinet Thermistor		4A7084-01	1								
10	Deflector		3B1541-01	1								
11	Evaporator Shroud		1A6423-02	1								
12	Pilaster	_LR46B _LF46B	4A5583-01	4								
		_LR60B _LF60B _LR67B _LF67B		8								
		_LR93B		12								
13	Shelf	_LR46B _LF46B	3A2830-13	2								
		_LR60B _LF60B	3A2830-21	4								
		_LR67B _LF67B	3A2830-12									
		_LR93B		6								
14	Shelf Clip	_LR46B _LF46B	4A5418-01	8								
		_LR60B _LF60B _LR67B _LF67B		16								
		_LR93B		24								
15	Vertical Mullion	_LR60B(-D2)	2A7355G01	1								
		_LR93B(-D2)(-D4)		2								
		_LR67B(-D2)	2A7003G01	1								
		_LF60B	2B0822G01	1								
		_LF67B	2B0821G01	1								

## B. Refrigeration Circuit

\_LR46B(-D2), \_LF46B, \_LR60B(-Dx), \_LF60B, \_LR67B(-Dx), \_LF67B, \_LR93B(-Dx)

N-5, P-5



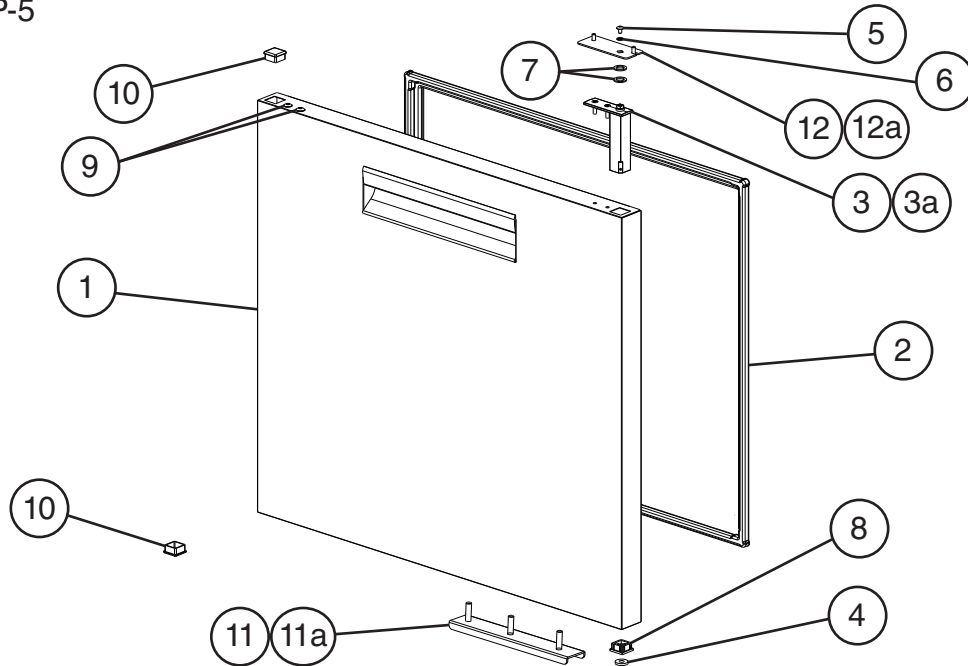
For compressor or condenser replacement, order item 1.

Title: B. Refrigeration Circuit Models: _LR46B(-D2), _LF46B, _LR60B(-Dx), _LF60B, _LR67B(-Dx), _LF67B, _LR93B(-Dx)											
Index No.	Description	Material or Model Number	Part Number	Required Number							
				N-5	P-5						
1	Condensing Unit (includes compressor, condenser, and items 2 through 7; compressor and condenser are not sold individually)	_LR46B(-D2) _LR60B(-Dx) _LR67B(-Dx)	3B0453-01	1							
		_LF46B _LR93B(-Dx)	3B0964-01	1							
		_LF60B _LF67B	3B0992-01	1							
2	Condenser Fan Motor	_LR46B(-D2) _LF46B _LR60B(-Dx) _LR67B(-Dx) _LR93B(-Dx)	3A6798-01	1							
		_LF60B _LF67B	4A7104-01	1							
3	Condenser Fan Blade		3A6799-01	1							
4	Compressor External Protector	_LR46B(-D2) _LR60B(-Dx) _LR67B(-Dx)	3A9475-01	1							
		_LF46B _LF60B _LF67B _LR93B(-Dx)	3B0897-01	1							
5	Start Relay		3A9476-01	1							
6	Run Capacitor		3B0898-01	1							
7	Drier		4A5576-01	1							
8	Evaporator		2B0101-01	1							
9	Evaporator Fan Motor	_LR46B(-D2) _LF46B _LR60B(-Dx) _LF60B	4A6192-01	2							
		_LR67B(-Dx) _LF67B _LR93B(-Dx)		3							
10	Defrost Thermistor	_LFxxB	4A7083-01	1							
11	Defrost Heater	_LFxxB	3B0457-01	1							
12	Defrost Safety Thermostat	_LFxxB	4A6194-01	1							
13	Heat Exchanger	_LR46B(-D2) _LR60B(-Dx) _LR67B(-Dx)	3B1501G01	1							
		_LF46B	3B1618G01	1							
		_LF60B _LF67B	3B1668G01	1							
		_LR93B(-Dx)	3B1039G01	1							
14	Drain Hose		3B0477-01	1							
15	Drip Ramp		3B0835-01	1							

## C. Door-Right Hinged Solid

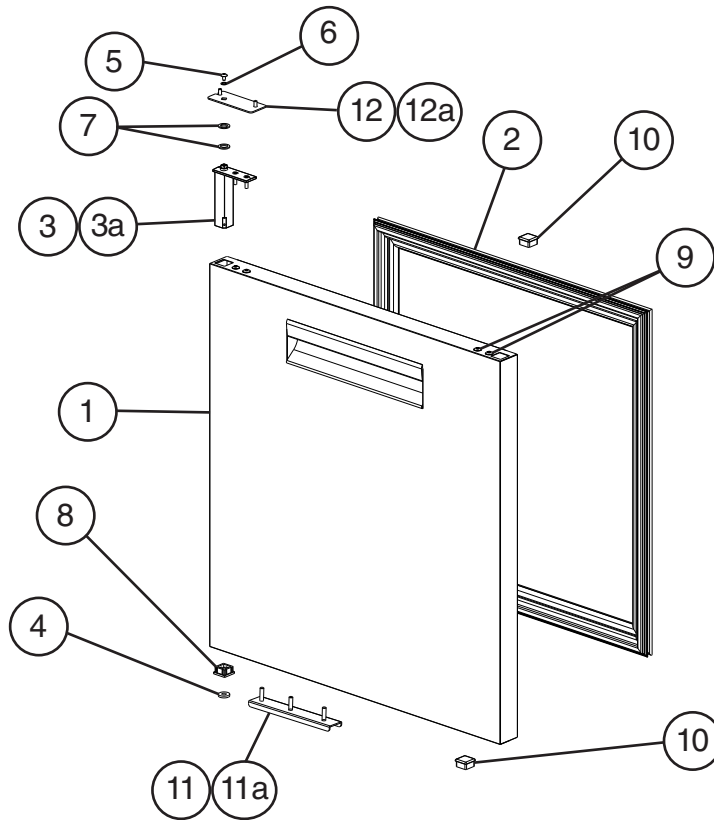
\_LRxxB(Dx), \_LFxxB

N-5, P-5



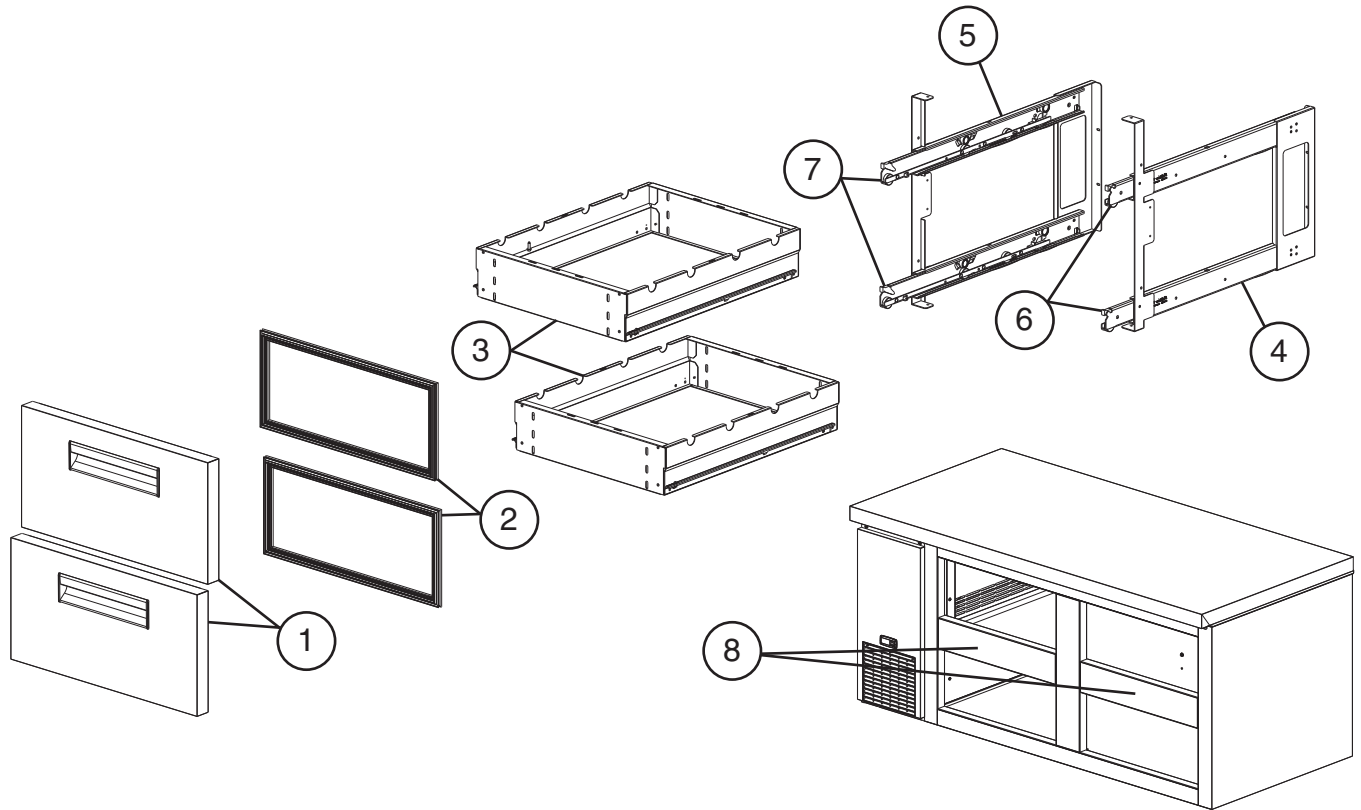
Title: C. Door-Right Hinged Solid Models: <u>_LRxxB(-Dx)</u> , <u>_LFxxB</u>																		
Index No.	Description	Material or Model Number	Part Number	Required Number Per Section														
				N-5	P-5													
1	Door Assembly (includes items 2 through 10)	<u>_LR46B</u> <u>_LF46B</u>	2A9409G04	1														
		<u>_LR60B(-D2)</u> <u>_LF60B</u>	2A9409G06	1														
		<u>_LR67B(-D2)</u> <u>_LF67B</u> <u>_LR93B(-D2)(-D4)</u>	2A9409G01	1														
2	Gasket	<u>_LR46B/_LF46B</u>	2A6996-12	1														
		<u>_LR60B(-D2)</u> <u>_LF60B</u>	2A6996-11	1														
		<u>_LR67B(-D2)</u> <u>_LF67B</u> <u>_LR93B(-D2)(-D4)</u>	2A6996-10	1														
3	Hinge Spring Cartridge (includes items 4 through 8)		3A9206-01	1														
3a	Countersunk Screw		7C42-0520	2														
4	Thrust Washer		4A5234-01	1														
5	Screw		4A5230-01	1														
6	Lock Washer		4A5231-01	1														
7	Thrust Washer		4A5233-01	2														
8	Bearing		4A5232-01	1														
9	Truss Head Screw (filler screws)		7C32-0510	2														
10	End Cap		4A5432-01	2														
11	Lower Hinge Bracket		3A6681G01	1														
11a	Hex Head Tapping Bolt		4A5213-01	2														
12	Upper Hinge Bracket		3A6810-01	1														
12a	Truss Head Screw		7C32-0512	2														

**D. Door-Left Hinged Solid**  
**\_LRxxB, \_LFxxB**  
 N-5, P-5



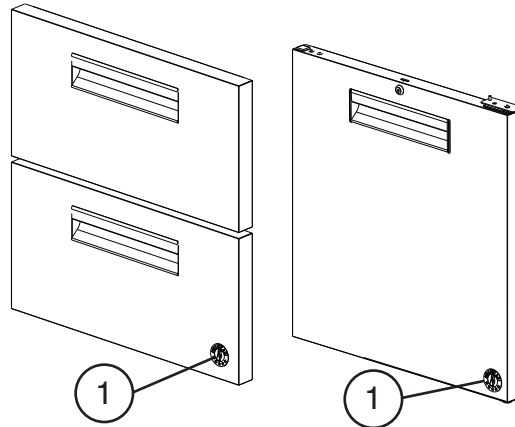
Title: D. Door-Left Hinged Solid Models: _LRxxB, _LFxxB					Required Number Per Section							
Index No.	Description	Material or Model Number	Part Number	N-5								
				P-5								
1	Door Assembly (includes items 2 through 10)	<b>_Lx60B</b>	2A9411G01	1								
		<b>_Lx67B</b>	2A9411G05	1								
		<b>_LR93B</b>										
2	Gasket	<b>_Lx60B</b>	2A6996-11	1								
		<b>_Lx67B</b>	2A6996-10	1								
		<b>_LR93B</b>										
3	Hinge Spring Cartridge (includes items 4 through 8)		3A9206-01	1								
3a	Countersunk Screw		7C42-0520	2								
4	Thrust Washer		4A5234-01	1								
5	Screw		4A5230-01	1								
6	Lock Washer		4A5231-01	1								
7	Thrust Washer		4A5233-01	2								
8	Bearing		4A5232-01	1								
9	Truss Head Screw (filler screws)		7C32-0510	2								
10	End Cap		4A5432-01	2								
11	Lower Hinge Bracket		3A6681G01	1								
11a	Hex Head Tapping Bolt		4A5213-01	2								
12	Upper Hinge Bracket		3A6810-01	1								
12a	Truss Head Screw		7C32-0512	2								

**E. Drawers**  
**\_LRxxB(-Dx)**  
 N-5, P-5



Title: G. Drawers Models: _LRxxB(-Dx)					Required Number Per Section													
Index No.	Description	Material or Model Number	Part Number	N-5														
				P-5														
1	Drawer Face (includes item 2)	<b>_LR46B-D2</b>	2A9760G01	2														
		<b>_LR60B-D(x)</b>	2A9759G01	2														
		<b>_LR67B-D(x)</b>	2A9736G01	2														
		<b>_LR93B-D(x)</b>																
2	Drawer Gasket	<b>_LR46B-D2</b>	2A5192-16	2														
		<b>_LR60B-D(x)</b>	2A5192-17	2														
		<b>_LR67B-D(x)</b>	2A5192-15	2														
		<b>_LR93B-D(x)</b>																
3	Drawer Box	<b>_LR46B-D2</b>	2A7236G01	2														
		<b>_LR60B-D(x)</b>	2B0060G01	2														
		<b>_LR67B-D(x)</b>	2A7319G01	2														
		<b>_LR93B-D(x)</b>																
4	Right Drawer Frame		2A7338G01	1														
5	Left Drawer Frame		2A7339G01	1														
6	Right Side Roller		4A5674-02	2														
7	Left Side Roller		4A5674-05	2														
8	Horizontal Mullion	<b>_LR46B-D2</b>	2A7406G01	1														
		<b>_LR60B-D(x)</b>	2B0059G01	1														
		<b>_LR67B-D(x)</b>	2A7174G01	1														
		<b>_LR93B-D(x)</b>																

**F. Accessories & Labels**  
**\_LRxxB(-Dx), \_LFxxB**  
 N-5, P-5



Title: H. Accessories & Labels Models: _LRxxB(-Dx), _LFxxB Undercounter, Worktop											
Index No.	Description	Material or Model Number	Part Number	Required Number							
				N-5	P-5						
1	Penguin Label		475552L01	1							
<b>Undercounters</b>											
2	4" Caster Kit (includes 2 of items 3 and 4)	HS-5035	4A5434A01	1							
3	4" Non-Locking Caster	UL_46B(-D2) ULR93B(-Dx)	4A5427-01	3							
		UL_60B(-Dx) UL_67B(-Dx)		2							
4	4" Locking Caster	UL_46B(-D2) ULR93B(-Dx)	4A5427-02	3							
		UL_60B(-Dx) UL_67B(-Dx)		2							
<b>Worktops</b>											
5	6" Caster Kit (includes 2 of items 6 and 7)	HS-5036	4A5435A01	1							
6	6" Non-Locking Caster	WL_46B(-D2) WLR93B(-Dx)	4A5428-01	3							
		WL_60B(-Dx) WL_67B(-Dx)		2							
7	6" Locking Caster	WL_46B(-D2) WLR93B(-Dx)	4A5428-02	3							
		WL_60B(-Dx) WL_67B(-Dx)		2							