



KM-1340M_J(Z)(3)

MODULAR CRESCENT CUBER



KM-1340M_J(Z)(3)
07/02/24
Item # 13249

Item #: _____
Project: _____
Qty: _____
AIA#: _____

W x D x H
30" x 27^{3/8}" x 41^{1/2}"

KM|EDGE™

KM-1340MAJ ★
Air-Cooled 1 Phase
Shown on optional bin: B900

KM-1340MWJ
Water-Cooled 1 Phase

KM-1340MRJZ
Remote Air-Cooled 1 Phase

KM-1340MRJZ3 ★
Remote Air-Cooled 3 Phase



Features

- ▶ Individual crescent cube
- ▶ Stainless steel evaporator
- ▶ CycleSaver™ design

- Up to 1428 lbs. of ice production per 24 hours
- Mount two units, side-by-side, in only 60" of floor space for double the amount of ice production
- Durable stainless steel exterior
- EverCheck alert system
- Removable air filters (Air-cooled model only)
- R-404A Refrigerant

Available on Bins:

B-500SF B-800SF B-1150SS B-1500SS
B-700SF B-900SF B-1300SS B-1650SS

Top kit may be required. See Bin Spec Sheets.

Warranty:

3 Year Parts & Labor on entire machine. 5 Year Parts & Labor on Evaporator. 5 Year Parts on Compressor; air-cooled condenser coil. Valid in United States, Canada, Puerto Rico and U.S. Territories. Contact factory for warranty in other countries.

Shipping: (LxWxH) 33.5" x 33.25" X 48" Volume: 30.94ft³



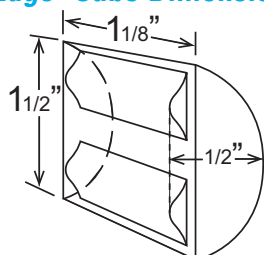
| Condenser | Model | ICE PRODUCTION | | WATER USAGE | | ELECTRICAL | | | | | | | | |
|-----------|--------|--|--|--|--------------------------------------|------------------------------------|----------|---------|--|------------------------------|------------------------------|-----------------------------|------------------------------------|-----------|
| | | Air / Water Temp Lbs. per 24 hours 70°/50°F 90°/70°F | Potable Gal. per 100 lbs. 90°/70°F | Condenser Gal. per 100 lbs. 90°/70°F | kWh Used per 100 lbs. 90°/70°F | Min. Circuit/ Max. Fuse Size | Amperage | Voltage | Circuit Wires (including ground) | Heat Rejection BTU/hr. | Refrigerant Charge Amount | Net / Ship Weight (lbs.) | | |
| 1 Phase | Air | KM-1340MAJ | 1275 | 1089 | 23.6 | N/A | 4.81 | 20A | 13.2A | 208-230V/60/1 | 4* | 21,000 | 4 lbs. 10.1 oz. | 285 / 315 |
| | Water | KM-1340MWJ | 1323 | 1280 | 17.8 | 128.5 | 3.60 | 20A | 11.0A | 208-230V/60/1 | 4* | 18,500 | 2 lbs. 1.5 oz. | 285 / 315 |
| | Remote | KM-1340MRJZ | 1371 | 1177 | 17.5 | N/A | 4.54 | 20A | 14.0A | 208-230V/60/1 | 4* | 19,900 | 6 lbs. 9.8 oz. 11 lbs. 0.4 oz.† | 259 / 289 |
| 3 Phase | Remote | KM-1340MRJZ3 | 1428 | 1266 | 17.5 | N/A | 4.12 | 20A | 12.5A | 208-230V/60/3 | 4 | 18,000 | 6 lbs. 9.8 oz. 11 lbs. 0.4 oz.† | 259 / 289 |

*If neutral is not available transformer kit (HS-5030) is required. Refer to instruction manual for installation and electrical requirements.

†(with condenser)

Power cord not included. Must be hard-wired at site.

KMEdge™ Cube Dimensions* Operating Limits



* approximate size in inches, image not to scale

- Ambient Temp Range 45 - 100°F
- Water Temp Range 45 - 90°F
- Water Pressure 10 - 113 PSIG
- Voltage Range 187 - 253V
- If GFCI is required, a GFCI breaker MUST be used in lieu of GFCI receptacle

Service

- Panels easily removed and all components accessible for service.
- Allow 6" (15cm) clearance at rear, sides, and top for proper air circulation and ease of maintenance/service.

Plumbing

- Icemaker Water Supply Line: Min. 3/8" Nominal ID Copper Water Tubing or Equivalent
- Icemaker Drain Line: Min. 3/4" Nominal ID Hard Pipe or Equivalent Water-Cooled Model (Lines Must Be Independent of Icemaker)
- Condenser Water Supply Line: Min. 3/8" Nominal ID Copper Water Tubing or Equivalent
- Condenser Drain/Return Line: Min. 3/8" Nominal ID Hard Pipe (open drain system) or Copper Water Tubing (closed loop system) or Equivalent

Water Filter

Please refer to water filter spec sheet for recommended configurations.

Hoshizaki reserves the right to change specifications without notice.

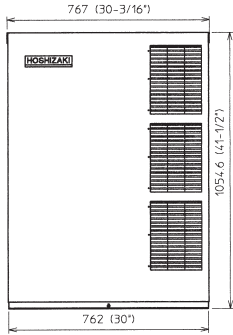


KM-1340M_J(Z)(3)

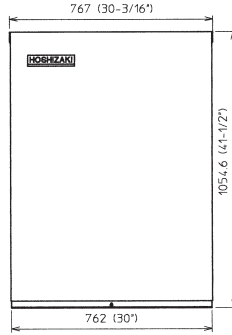
MODULAR CRESCENT CUBER

KM-1340M_J(Z)(3)
07/02/24
Item # 13249

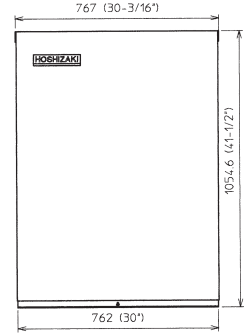
FRONT VIEW



AIR-COOLED

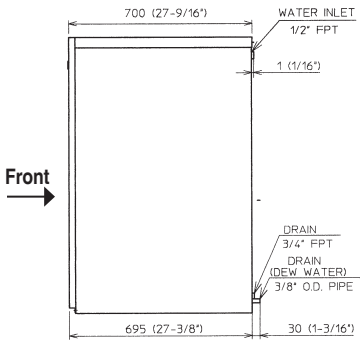


WATER-COOLED

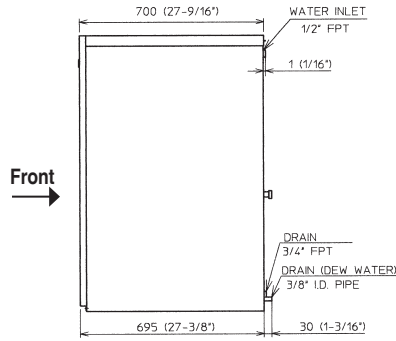


REMOTE AIR-COOLED

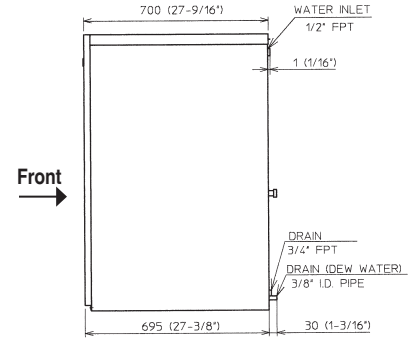
SIDE VIEW



AIR-COOLED

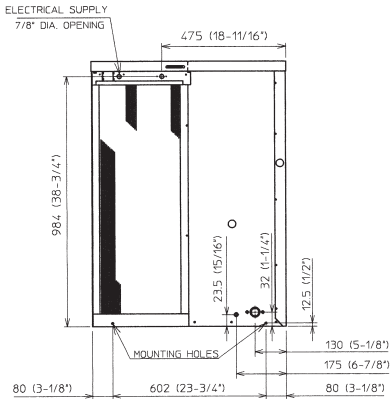


WATER-COOLED

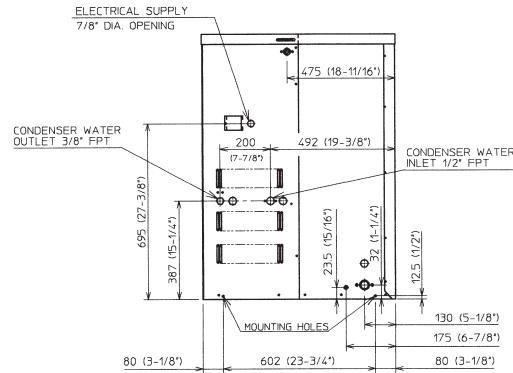


REMOTE AIR-COOLED

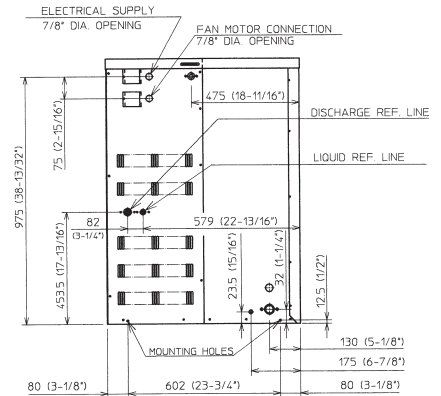
BACK VIEW



AIR-COOLED

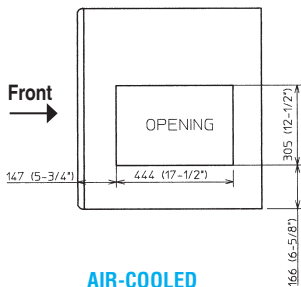


WATER-COOLED



REMOTE AIR-COOLED

BOTTOM VIEW



**AIR-COOLED
WATER-COOLED
REMOTE AIR-COOLED**

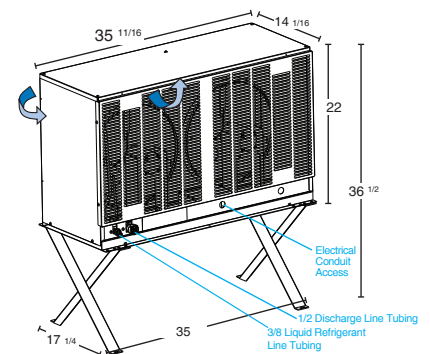
**Brazed Line Sets
(Sold Separately)**
25' HS-5604
35' HS-5605
55' HS-5606



Voltage supply for the URC Remote Condenser is supplied from the Ice Maker. No additional circuit is required.

URC-14FZ Remote Condenser (Sold Separately)
(W x D x H) 35 11/16 x 14 1/16 x 36 1/2

For Use with KM-1340MRJZ(3)





SF Bins

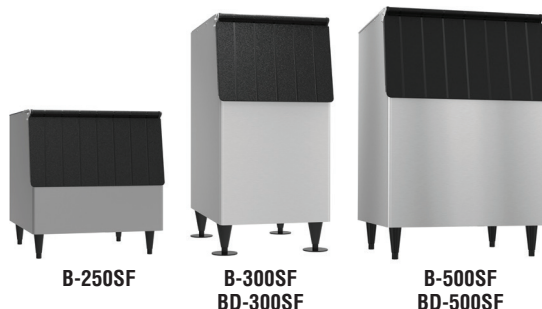
ICE STORAGE BIN SERIES



SF Bins
07/02/24
Item # 13163

Item #: _____
 Project: _____
 Qty: _____
 AIA#: _____

SF - Stainless Steel Finish



Features

- ▶ Polyethylene bin liner for sanitary storage
- ▶ Sturdy construction for side-by-side or stacked ice machine installation

- Ice storage capacity from 250 lbs. up to 900 lbs.
- Both surfaces are designed for easy cleaning
- Long lasting attractive appearance
- Foamed-in-place polyurethane insulation, in all bin walls and bottom, provides dependable ice storage
- H-GUARD Plus Antimicrobial adds extra protection to the ice scoop (included)

SF - Stainless Steel Finish

BD Bins

- Fit 24" - 24 1/2" deep ice machine without top kit extension

Warranty:

2 Year Parts & Labor (Production prior to January 2012)
 3 Year Parts & Labor (Production January 2012 and after)
 Valid in United States, Canada, Puerto Rico and U.S. Territories. Contact factory for warranty in other countries.



| Model Number | Exterior Dimensions W x D x H* | Interior Dimensions W x D x H | Application Storage Capacity † | Cubic Volume | Shipping Dimensions L x W x H | Shipping Weight (lbs.) |
|--------------|-----------------------------------|----------------------------------|-----------------------------------|-----------------------|----------------------------------|------------------------|
| B-250SF | 30" x 32.3" x 33.4" | 27" x 27.7" x 23.7" | 250 lbs. | 10.30 ft ³ | 35" x 32" x 32" | — |
| B-300SF | 22" x 32.3" x 46" | 19" x 27.7" x 37.6" | 300 lbs. | 11.51 ft ³ | 35" x 24" x 45" | 125 |
| BD-300SF | 22" x 32.3" x 46" | 19" x 27.7" x 37.6" | 300 lbs. | 11.51 ft ³ | 35" x 24" x 45" | 130 |
| B-500SF | 30" x 32.3" x 46" | 27" x 27.7" x 37.6" | 500 lbs. | 16.33 ft ³ | 35" x 32" x 45" | 140 |
| BD-500SF | 30" x 32.3" x 46" | 27" x 27.7" x 37.6" | 500 lbs. | 16.33 ft ³ | 35" x 32" x 45" | 140 |
| B-700SF | 44" x 32.3" x 46" | 41" x 27.7" x 37.6" | 700 lbs. | 24.77 ft ³ | 46" x 35" x 45" | 175 |
| B-800SF | 48" x 32.3" x 46" | 45" x 27.7" x 37.6" | 800 lbs. | 26.90 ft ³ | 50.25" x 35" x 45" | 185 |
| B-900SF | 52" x 32.3" x 46" | 49" x 27.7" x 37.6" | 900 lbs. | 29.59 ft ³ | 54.5" x 35" x 45" | 195 |

*Height includes 6" legs

† Capacity based on volume x 30 lb/ft³ average density of ice.

Hoshizaki reserves the right to change specifications without notice.



SF Bins

ICE STORAGE BIN SERIES



SF Bins
07/02/24
Item # 13163

Ice Machine Model Application

| | 22" Width | 22" Width | 30" Width | 30" Width | 44" Width | 44" Width | 48" Width |
|-----------------------------------|--|--|---|---|---|--|--|
| | KM-350M KM-520M KM-660M F-450M F-801M F-1002M | KMD-410M† KMS-822M FD-650M-C† FD-1002M-C | KM-901M KM-1340M KM-1601M KML Series KMD-505M KMD-705M F-1501M F-2001 | KMD-460M‡ KMD-530M‡ KMD-860M‡ KMS-1402M* KMS-2000M* | 2 KM-350M 2 KM-520M 2 KM-660M IM-500S 2 F-450M 2 F-801M 2 F-1002M | 2 KMD-410M 2 FD-650M-C 2 FD-1002M-C | KM-1301S KM-1400S KM-1601S KM-1900S KM-2200S KM-2600S |
| Bins B-300SF DB-130H | — | NEED HS-2153 HS-5424 <i>(KMD-410 on B-300 only)</i> | N/A | N/A | N/A | N/A | N/A |
| Bins B-250SF B-500SF | NEED HS-2033 | NEED HS-2033 & HS-2129 | — | NEED HS-2129 | N/A | N/A | N/A |
| Bins B-700SF | NEED HS-2035 | NEED HS-2035 & HS-2130 | NEED HS-2034 | NEED HS-2130 & HS-2034 | — | NEED HS-2130 <i>(KMD-410 does not apply)</i> | N/A |
| Bins B-800SF | NEED HS-2035 & HS-2032 | NEED HS-2035, HS-2032 & HS-2131 | NEED HS-2034 & HS-2032 | NEED HS-2131, HS-2034 & 2032 | NEED HS-2032 | NEED HS-2032 & HS-2131 | — |
| Bins B-900SF | NEED HS-2035 & HS-2033 | NEED HS-2035, HS-2033 & HS-2132 | NEED HS-2035 | NEED HS-2132 & HS-2035 | NEED HS-2033 | NEED HS-2033 & HS-2132 | NEED HS-2032 |
| Bins DB-200H DM-200B | NEED HS-2036 <i>(KM units only)</i> | N/A | — <i>(KML Series only)</i> NEED HS-2148 <i>(KMD Series on DB-200H only)</i> | N/A | N/A | N/A | N/A |

— No top kit necessary | N/A Combination of ice maker and bin is not possible

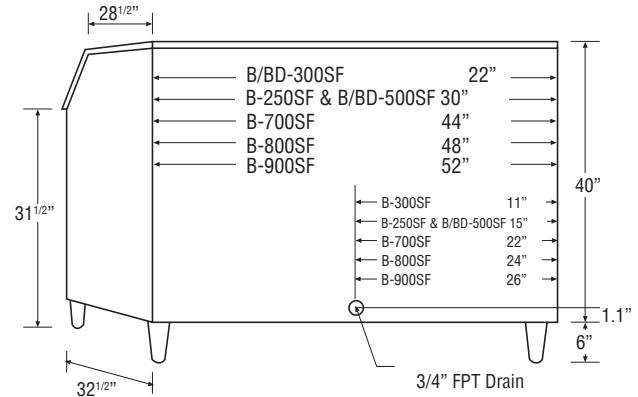
BD Bins fit 24" - 24 1/2" deep ice machine without Top Kit extension.

† **BD-300SF:** KMD-410M, KMS-822M, FD-650M-C, FD-1002M-C

‡ **BD-500SF:** KMD-460M, KMD-530M, KMD-860M, KMD-505M, KMD-705M

Top Kits:

- HS-2032 - 4" ABS Top Kit
- HS-2033 - 8" ABS Top Kit
- HS-2034 - 14" ABS Top Kit
- HS-2035 - 22" ABS Top Kit
- HS-2036 - (2) 4" ABS Top Kits
- HS-2066 - Seismic Kit for SD 500 Stands
- HS-2071 - Anchored Leg Kit SD 500 Stands
- HS-2111 - 11.3" x 26.2" Stainless Cover/Separator
- HS-2148 - 30" x 3.1" Stainless Cover
- HS-2153 - KMD-410 on B-300 bin
- HS-2160 - 2 KM-901M



Ice Drop Area



B Bins



BD Bins



Bin Flanged Legs:
B/BD-300SF



Bin Legs:
B-250SF, B/BD-500SF
B-700SF, B-800SF
B-900SF