



F-422MAK(-C)

**MODULAR ICE MACHINE
SLIM-LINE SERIES**



F-422MAK



F-422MAK-C

F-422MAK(-C)
10/01/25
Item # 13743K

W x D x H
22" x 27^{1/2}" x 22"


F-422MAK
Air-Cooled
Shown on optional bin B-300

F-422MAK-C
Air-Cooled



Features

- ▶ Durable stainless steel exterior
- ▶ Factory-installed ultrasonic bin control can be adjusted on site
- ▶ Environmentally friendly R290 hydrocarbon refrigerant

- Stainless steel auger with greaseless bearing
- F-422MAK - Up to 485 lbs. of ice production per 24 hrs.
- F-422MAK-C - Up to 476 lbs. of ice production per 24 hrs.
- Mount two units, side-by-side, in only 44" of floor space for double the amount of ice production
- 2-second flush cycle every hour
- Flush cycle removed sediment for cleaner ice
- Advanced CleanCycle24™ design 
- Durable stainless steel exterior
- Not recommended for dispensing applications

Available on Bins:

B-250SF B-500SF B-700SF B-800SF B-900SF B-1300SS
B-300SF B-700SF B-800SF B-900SF B-1150SS

Top kit may be required; See Bin Spec Sheets.

Warranty:

3 Year Parts & Labor on entire machine. 5 Year Parts on Compressor; air-cooled condenser coil. Valid in United States, Canada, Puerto Rico and U.S. Territories. Contact factory for warranty in other countries.

Shipping: (LxWxH) 25.6" x 33.46" x 27.6" Volume: 13.57ft³



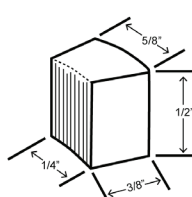
Condenser	Model	ICE PRODUCTION			WATER USAGE			ELECTRICAL					
		Air / Water Temp Lbs. per 24 hours 70°/50°F 90°/70°F	Type of Ice	Type of Ice	Potable Gal. per 100 lbs. 90°/70°F	Condenser Gal. per 100 lbs. 90°/70°F	kWh Used per 100 lbs. 90°/70°F	Min. Circuit/ Max. Fuse Size	Amperage	Voltage	Heat Rejection BTU/hr.	Refrigerant Charge Amount	Net / Ship Weight (lbs.)
Air	F-422MAK	485	380	Flaked	12.0	N/A	4.9	15A	8.8A	115V/60/1	4,700	4.1 oz	150 / 175
Air	F-422MAK-C	476	360	Cubelet	12.0	N/A	5.3	15A	8.8A	115V/60/1	4,800	4.1 oz	150 / 175

Cube Dimensions*

Flaked
F-422MAK



Cubelet
F-422MAK-C



* approximate size in inches, image not to scale

Operating Limits

- Ambient Temp Range 45 - 100°F
- Water Temp Range 45 - 90°F
- Water Pressure 10 - 113 PSIG
- Voltage Range 108-127V
- If GFCI is required, a GFCI breaker MUST be used in lieu of GFCI receptacle

Service

- Panels easily removed and all components accessible for service.
- Removable/cleanable air filter (Air-cooled model only)
- Allow 24" (61 cm) clearance at top for removal of auger.
- Appliance should not be located next to high heat producing equipment.

Plumbing

- Icemaker Water Supply Line: Minimum 1/4" Nominal ID Copper Water Tubing or Equivalent
- Icemaker Drain Line: Minimum 3/4" Nominal ID Hard Pipe or Equivalent

Hoshizaki reserves the right to change specifications without notice.

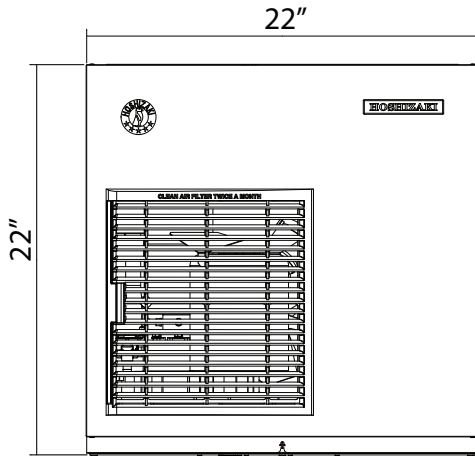


F-422MAK(-C)

MODULAR ICE MACHINE
SLIM-LINE SERIES

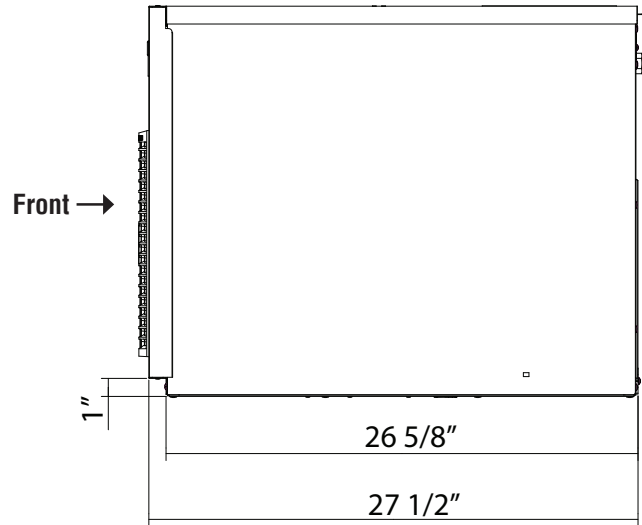
F-422MAK(-C)
10/01/25
Item # 13743K

FRONT VIEW

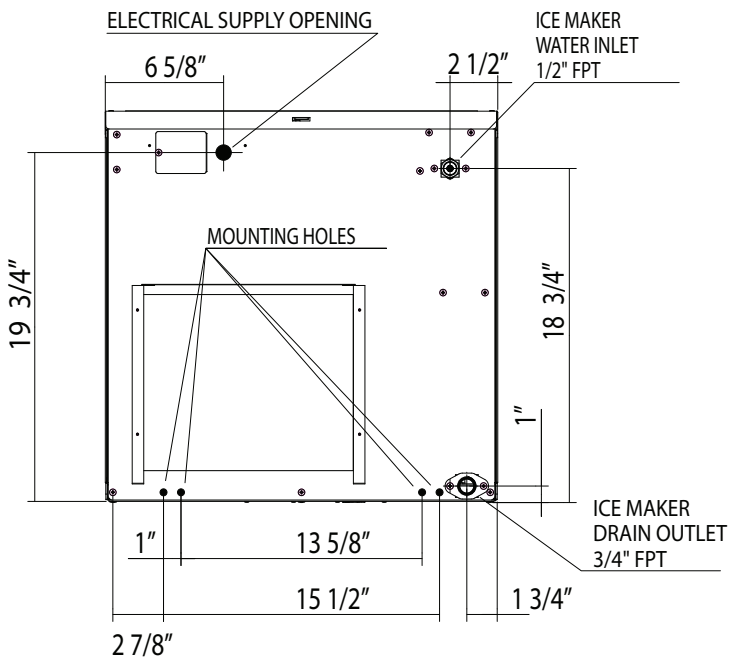


SIDE VIEW

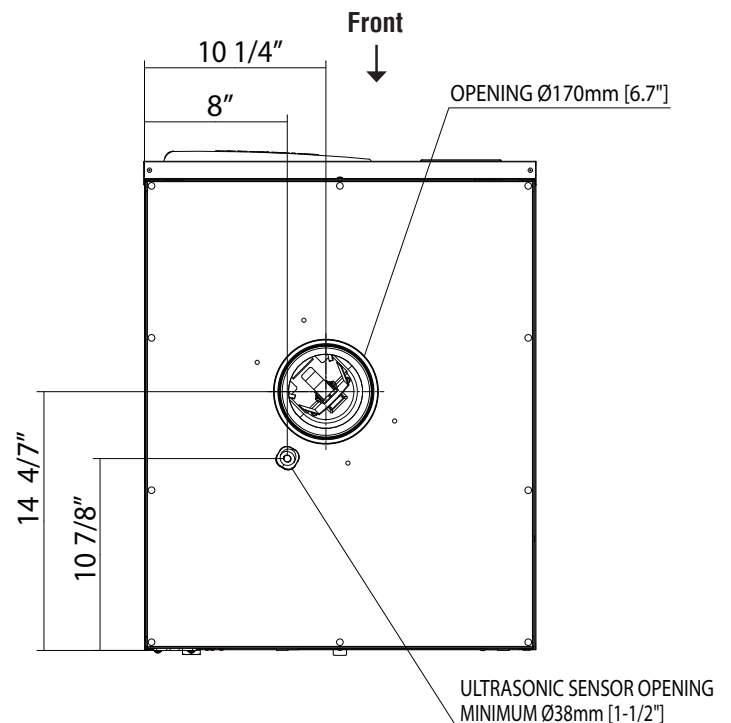
mm
[inch]



REAR VIEW



BOTTOM VIEW





SF Bins

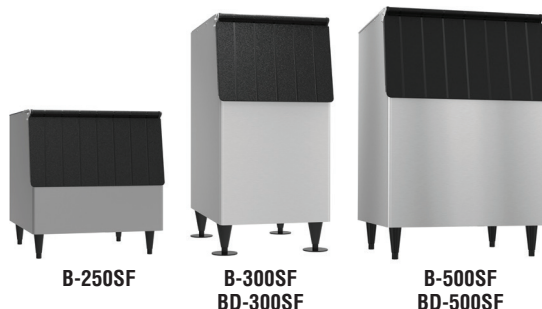
ICE STORAGE BIN SERIES



SF Bins
05/19/25
Item # 13163

Item #: _____
 Project: _____
 Qty: _____
 AIA#: _____

SF - Stainless Steel Finish



Features

- ▶ Polyethylene bin liner for sanitary storage
- ▶ Sturdy construction for side-by-side or stacked ice machine installation

- Ice storage capacity from 250 lbs. up to 900 lbs.
- Both surfaces are designed for easy cleaning
- Long lasting attractive appearance
- Foamed-in-place polyurethane insulation, in all bin walls and bottom, provides dependable ice storage

SF - Stainless Steel Finish

BD Bins

- Fit 24" - 24 1/2" deep ice machine without top kit extension

Warranty:

2 Year Parts & Labor (Production prior to January 2012)
 3 Year Parts & Labor (Production January 2012 and after)
 Valid in United States, Canada, Puerto Rico and U.S. Territories. Contact factory for warranty in other countries.



Model Number	Exterior Dimensions W x D x H*	Interior Dimensions W x D x H	Application Storage Capacity †	Cubic Volume	Shipping Dimensions L x W x H	Shipping Weight (lbs.)
B-250SF	30" x 32.3" x 33.4"	27" x 27.7" x 23.7"	250 lbs.	10.30 ft ³	35" x 32" x 32"	—
B-300SF	22" x 32.3" x 46"	19" x 27.7" x 37.6"	300 lbs.	11.51 ft ³	35" x 24" x 45"	125
BD-300SF	22" x 32.3" x 46"	19" x 27.7" x 37.6"	300 lbs.	11.51 ft ³	35" x 24" x 45"	130
B-500SF	30" x 32.3" x 46"	27" x 27.7" x 37.6"	500 lbs.	16.33 ft ³	35" x 32" x 45"	140
BD-500SF	30" x 32.3" x 46"	27" x 27.7" x 37.6"	500 lbs.	16.33 ft ³	35" x 32" x 45"	140
B-700SF	44" x 32.3" x 46"	41" x 27.7" x 37.6"	700 lbs.	24.77 ft ³	46" x 35" x 45"	175
B-800SF	48" x 32.3" x 46"	45" x 27.7" x 37.6"	800 lbs.	26.90 ft ³	50.25" x 35" x 45"	185
B-900SF	52" x 32.3" x 46"	49" x 27.7" x 37.6"	900 lbs.	29.59 ft ³	54.5" x 35" x 45"	195

*Height includes 6" legs

† Capacity based on volume x 30 lb/ft³ average density of ice.

Hoshizaki reserves the right to change specifications without notice.



SF Bins

ICE STORAGE BIN SERIES



SF Bins
05/19/25
Item # 13163

Ice Machine Model Application

	22" Width	22" Width	30" Width	30" Width	44" Width	44" Width	48" Width
	KM-350M KM-520M KM-660M F-450M F-801M F-1002M	KMD-410M† KMS-822M FD-650M-C† FD-1002M-C	KM-901M KM-1100M KM-1340M KM-1601M KML Series F-1501M F-2001	KMD-355M KMD-505M KMD-705M KMD-460M‡ KMD-530M‡ KMD-860M‡ KMS-1402M* KMS-2000M*	2 KM-350M 2 KM-520M 2 KM-660M IM-500S 2 F-450M 2 F-801M 2 F-1002M	2 KMD-410M 2 FD-650M-C 2 FD-1002M-C	KM-1301S KM-1400S KM-1601S KM-1900S KM-2200S KM-2600S
Bins B-300SF DB-130H	—	NEED HS-2153 <i>(KMD-410 on B-300 only) (KMD-410 not compatible with DB-130H)</i>	N/A	N/A	N/A	N/A	N/A
Bins B-250SF B-500SF	NEED HS-2033	NEED HS-2033 & HS-2129	—	NEED HS-2129	N/A	N/A	N/A
Bins B-700SF	NEED HS-2035	NEED HS-2035 & HS-2130	NEED HS-2034	NEED HS-2130 & HS-2034	—	NEED HS-2130 <i>(KMD-410 does not apply)</i>	N/A
Bins B-800SF	NEED HS-2035 & HS-2032	NEED HS-2035, HS-2032 & HS-2131	NEED HS-2034 & HS-2032	NEED HS-2131, HS-2034 & HS-2032	NEED HS-2032	NEED HS-2032 & HS-2131	—
Bins B-900SF	NEED HS-2035 & HS-2033	NEED HS-2035, HS-2033 & HS-2132	NEED HS-2035	NEED HS-2132 & HS-2035	NEED HS-2033	NEED HS-2033 & HS-2132	NEED HS-2032
Bins DB-200H DM-200B	NEED HS-2036 <i>(KM units only)</i>	N/A	— <i>(KML Series only)</i>	NEED HS-2148 <i>(KMD Series on DB-200H only)</i>	N/A	N/A	N/A

— No top kit necessary | N/A Combination of ice maker and bin is not possible

BD Bins fit 24" - 24 1/2" deep ice machine without Top Kit extension.

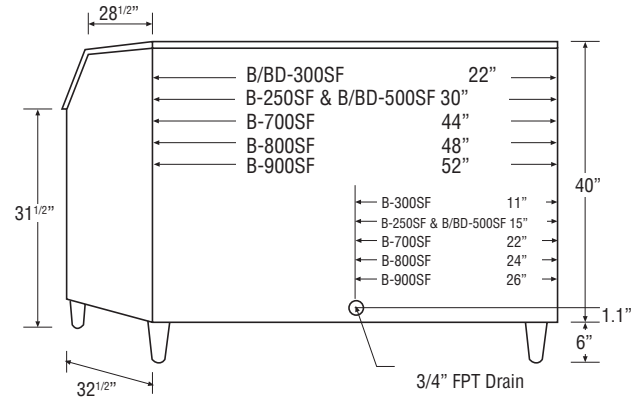
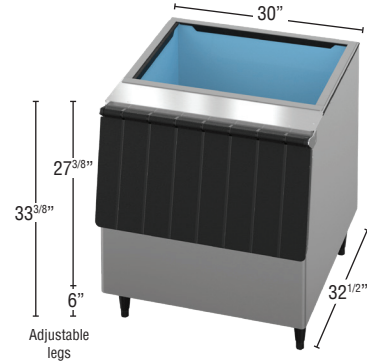
† **BD-300SF:** KMD-410M, KMS-822M, FD-650M-C, FD-1002M-C

‡ **BD-500SF:** KMD-460M, KMD-530M, KMD-860M, KMD-355, KMD-505M, KMD-705M

Top Kits:

- HS-2032 - 4" ABS Top Kit
- HS-2033 - 8" ABS Top Kit
- HS-2034 - 14" ABS Top Kit
- HS-2035 - 22" ABS Top Kit
- HS-2036 - (2) 4" ABS Top Kits
- HS-2066 - Seismic Kit for SD 500 Stands
- HS-2071 - Anchored Leg Kit SD 500 Stands
- HS-2111 - 11.3" x 26.2" Stainless Cover/Separator
- HS-2148 - 30" x 3.1" Stainless Cover
- HS-2153 - KMD-410 on B-300 bin
- HS-2160 - (2) KM-901M / (2) KM-1100M

B-250SF



Ice Drop Area



B Bins



BD Bins



Bin Flanged Legs:
B/BD-300SF



Bin Legs:
B-250SF, B/BD-500SF
B-700SF, B-800SF
B-900SF