



F-2001M_J(Z)(3)(-C)

Modular Ice Machine



F-2001M_J(Z)(3)(-C)
07/02/24
Item # 13255

W x D x H
30" x 27^{1/2}" x 34^{7/16}"

F-2001MWJ
Water-Cooled Flaker

F-2001MRJZ
Remote Air-Cooled Flaker 1-Phase
Shown on optional bin B-700


F-2001MRJZ3
Remote Air-Cooled Flaker 3-Phase

F-2001MRJZ-C
Remote Air-Cooled Cubelet



Item #: _____
Project: _____
Qty: _____
AIA#: _____

Features

- ▶ Durable stainless steel exterior
- ▶ Advanced CleanCycle24™ design 
- ▶ Stainless steel auger with greaseless bearing

- Flaker - Up to 2098 lbs. of ice production per 24 hours
- Cubelet - Up to 1832 lbs. of ice production per 24 hours
- Mount two units, side-by-side, in only 60" of floor space for double the amount of ice production
- 2-second flush cycle every hour
- Flush cycle removes sediment for cleaner ice
- R-404A Refrigerant

Available on Bins:

B-250SF B-700SF B-900SF B-1300SS B-1650SS*
B-500SF B-800SF B-1150SS B-1500SS*

Top kit may be required. See Bin Spec Sheets. *Two unit application only.

Warranty:

3 Year Parts & Labor on entire machine. 5 Year Parts on Compressor; air-cooled condenser coil. Valid in United States, Canada, Puerto Rico and U.S. Territories. Contact factory for warranty in other countries.

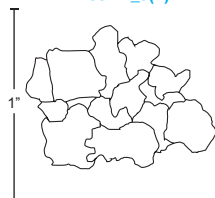
	Condenser	Model	ICE PRODUCTION		WATER USAGE			ELECTRICAL				Heat Rejection BTU/hr.	Refrigerant Charge Amount	Net / Ship Weight (lbs.)
			Air / Water Temp Lbs. per 24 hours 70°/ 50°F	90°/ 70°F	Potable Gal. per 100 lbs. 90°/ 70°F	Condenser Gal. per 100 lbs. 90°/ 70°F	kWh Used per 100 lbs. 90°/ 70°F	Min. Circuit/ Max. Fuse Size	Amperage	Voltage	Circuit Wires (including ground)			
1 Phase	Water Flaker	F-2001MWJ	2043	1840	12.0	109	3.19	30A	16.4A	208-230V/60/1	4	19,500	2 lbs. 0.1 oz.	310 / 342
	Remote Flaker	F-2001MRJZ	2073	1660	12.0	N/A	3.81	30A	19.9A	208-230V/60/1	4	16,500	8 lbs. 2.5 oz. (15 lbs. 14 oz.) [†]	326 / 360
	Remote Cubelet	F-2001MRJZ-C	1832	1500	12.0	N/A	4.35	30A	19.9A	208-230V/60/1	4	20,300	8 lbs. 2.5 oz. (15 lbs. 14 oz.) [†]	326 / 360
3 Phase	Remote Flaker	F-2001MRJZ3	2098	1675	12.0	N/A	3.90	20A	18.1A	208-230V/60/3	4	19,500	8 lbs. 2.5 oz. (15 lbs. 14 oz.) [†]	326 / 360

[†] (with condenser)

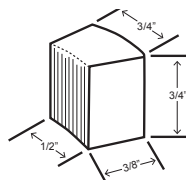
Power cord not included. Must be hard-wired at site.

Cube Dimensions*

Flaked
F-2001M_J(Z)



Cubelet
F-2001MRJ(Z)-C



* approximate size in inches, image not to scale

Operating Limits

- Ambient Temp Range 45 - 100°F
- Water Temp Range 45 - 90°F
- Water Pressure 10 - 113 PSIG
- Voltage Range 187-253V
- If GFCI is required, a GFCI breaker MUST be used in lieu of GFCI receptacle

Service

- Panels easily removed and all components accessible for service.
- Allow 6" (15 cm) clearance at rear and sides for proper air circulation and ease of maintenance/service. Allow 24" (61 cm) clearance at top for removal of auger.

Plumbing

- Icemaker Water Supply Line: Minimum 1/4" Nominal ID Copper Water Tubing or Equivalent
- Icemaker Drain Line: Minimum 3/4" Nominal ID Hard Pipe or Equivalent
- Water-Cooled Model (Lines Must Be Independent of Icemaker)
- Condenser Water Supply Line: Minimum 1/4" Nominal ID Copper Water Tubing or Equivalent
- Condenser Drain/Return Line: Minimum 1/4" Nominal ID Hard Pipe (open drain system) or Copper Water Tubing (closed loop system) or Equivalent

Hoshizaki reserves the right to change specifications without notice.

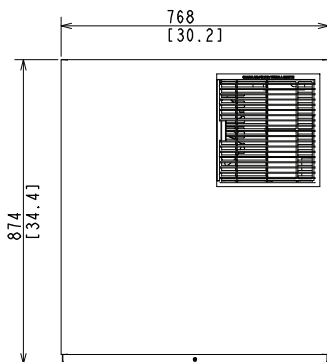


F-2001M_J(Z)(3)(-C)

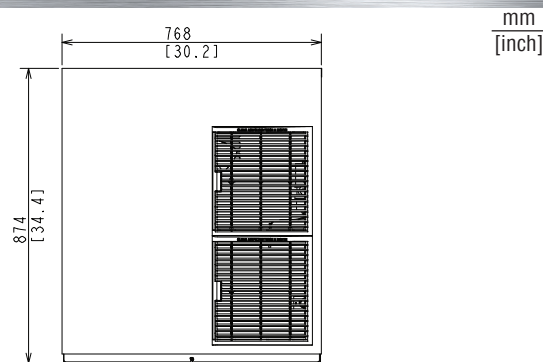
Modular Ice Machine

F-2001M_J(Z)(3)(-C)
07/02/24
Item # 13255

FRONT VIEW

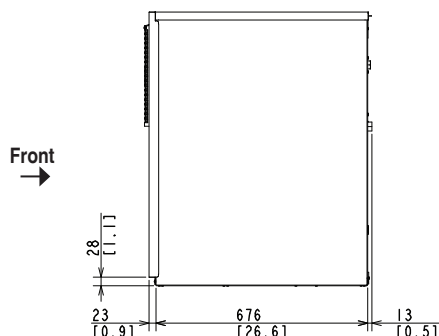


WATER-COOLED

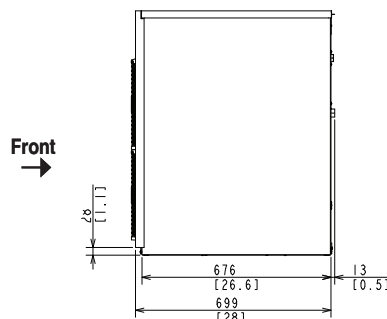


REMOTE AIR-COOLED

SIDE VIEW

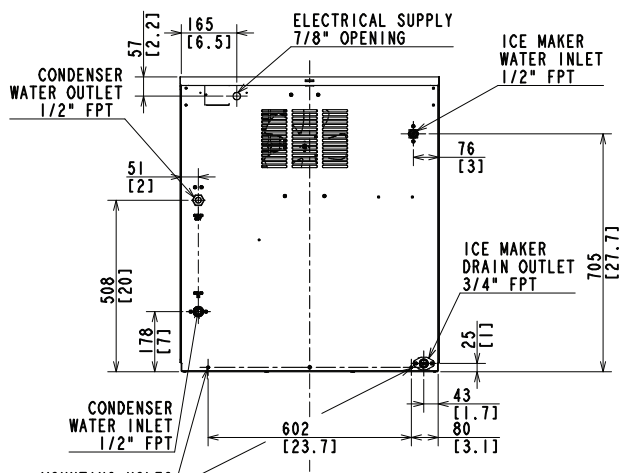


WATER-COOLED

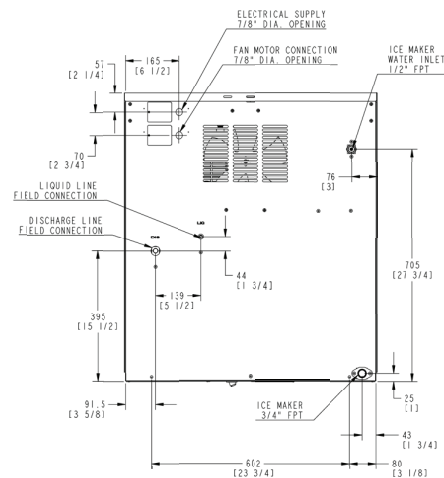


REMOTE AIR-COOLED

REAR VIEW

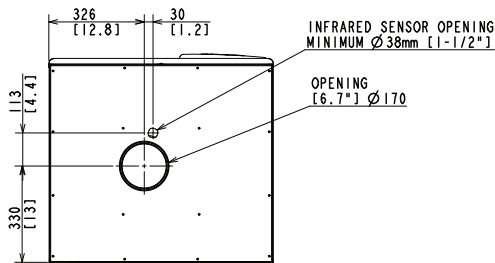


WATER-COOLED

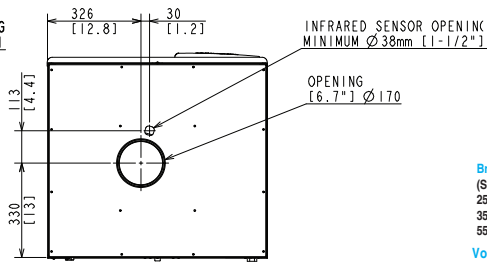


REMOTE AIR-COOLED

BOTTOM VIEW



WATER-COOLED

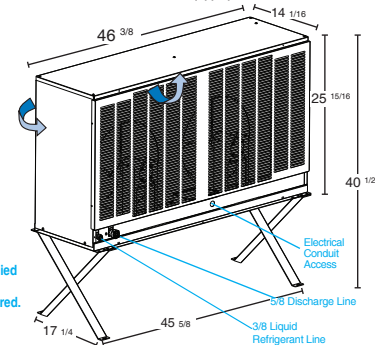


REMOTE AIR-COOLED

URC-22FZ Remote Condenser (Sold Separately)
(W x D x H) 46 3/8 x 14 1/16 x 40 1/2
For Use with F-2001MRJZ(3)(-C)

Brazed Line Sets
(Sold Separately)
25' HS-5323
35' HS-5324
55' HS-5325

Voltage supply for the URC Remote Condenser is supplied from the Ice Maker. No additional circuit is required.





SF Bins

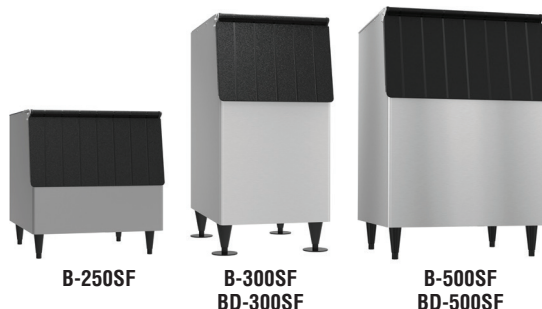
ICE STORAGE BIN SERIES



SF Bins
07/02/24
Item # 13163

Item #: _____
 Project: _____
 Qty: _____
 AIA#: _____

SF - Stainless Steel Finish



Features

- ▶ Polyethylene bin liner for sanitary storage
- ▶ Sturdy construction for side-by-side or stacked ice machine installation

- Ice storage capacity from 250 lbs. up to 900 lbs.
- Both surfaces are designed for easy cleaning
- Long lasting attractive appearance
- Foamed-in-place polyurethane insulation, in all bin walls and bottom, provides dependable ice storage
- H-GUARD Plus Antimicrobial adds extra protection to the ice scoop (included)

SF - Stainless Steel Finish

BD Bins

- Fit 24" - 24 1/2" deep ice machine without top kit extension

Warranty:

2 Year Parts & Labor (Production prior to January 2012)
 3 Year Parts & Labor (Production January 2012 and after)
 Valid in United States, Canada, Puerto Rico and U.S. Territories. Contact factory for warranty in other countries.



Model Number	Exterior Dimensions W x D x H*	Interior Dimensions W x D x H	Application Storage Capacity †	Cubic Volume	Shipping Dimensions L x W x H	Shipping Weight (lbs.)
B-250SF	30" x 32.3" x 33.4"	27" x 27.7" x 23.7"	250 lbs.	10.30 ft ³	35" x 32" x 32"	—
B-300SF	22" x 32.3" x 46"	19" x 27.7" x 37.6"	300 lbs.	11.51 ft ³	35" x 24" x 45"	125
BD-300SF	22" x 32.3" x 46"	19" x 27.7" x 37.6"	300 lbs.	11.51 ft ³	35" x 24" x 45"	130
B-500SF	30" x 32.3" x 46"	27" x 27.7" x 37.6"	500 lbs.	16.33 ft ³	35" x 32" x 45"	140
BD-500SF	30" x 32.3" x 46"	27" x 27.7" x 37.6"	500 lbs.	16.33 ft ³	35" x 32" x 45"	140
B-700SF	44" x 32.3" x 46"	41" x 27.7" x 37.6"	700 lbs.	24.77 ft ³	46" x 35" x 45"	175
B-800SF	48" x 32.3" x 46"	45" x 27.7" x 37.6"	800 lbs.	26.90 ft ³	50.25" x 35" x 45"	185
B-900SF	52" x 32.3" x 46"	49" x 27.7" x 37.6"	900 lbs.	29.59 ft ³	54.5" x 35" x 45"	195

*Height includes 6" legs

† Capacity based on volume x 30 lb/ft³ average density of ice.

Hoshizaki reserves the right to change specifications without notice.



SF Bins

ICE STORAGE BIN SERIES



SF Bins
07/02/24
Item # 13163

Ice Machine Model Application

	22" Width	22" Width	30" Width	30" Width	44" Width	44" Width	48" Width
	KM-350M KM-520M KM-660M F-450M F-801M F-1002M	KMD-410M† KMS-822M FD-650M-C† FD-1002M-C	KM-901M KM-1340M KM-1601M KML Series KMD-505M KMD-705M F-1501M F-2001	KMD-460M‡ KMD-530M‡ KMD-860M‡ KMS-1402M* KMS-2000M*	2 KM-350M 2 KM-520M 2 KM-660M IM-500S 2 F-450M 2 F-801M 2 F-1002M	2 KMD-410M 2 FD-650M-C 2 FD-1002M-C	KM-1301S KM-1400S KM-1601S KM-1900S KM-2200S KM-2600S
Bins B-300SF DB-130H	—	NEED HS-2153 HS-5424 <i>(KMD-410 on B-300 only)</i>	N/A	N/A	N/A	N/A	N/A
Bins B-250SF B-500SF	NEED HS-2033	NEED HS-2033 & HS-2129	—	NEED HS-2129	N/A	N/A	N/A
Bins B-700SF	NEED HS-2035	NEED HS-2035 & HS-2130	NEED HS-2034	NEED HS-2130 & HS-2034	—	NEED HS-2130 <i>(KMD-410 does not apply)</i>	N/A
Bins B-800SF	NEED HS-2035 & HS-2032	NEED HS-2035, HS-2032 & HS-2131	NEED HS-2034 & HS-2032	NEED HS-2131, HS-2034 & 2032	NEED HS-2032	NEED HS-2032 & HS-2131	—
Bins B-900SF	NEED HS-2035 & HS-2033	NEED HS-2035, HS-2033 & HS-2132	NEED HS-2035	NEED HS-2132 & HS-2035	NEED HS-2033	NEED HS-2033 & HS-2132	NEED HS-2032
Bins DB-200H DM-200B	NEED HS-2036 <i>(KM units only)</i>	N/A	— <i>(KML Series only)</i> NEED HS-2148 <i>(KMD Series on DB-200H only)</i>	N/A	N/A	N/A	N/A

— No top kit necessary | N/A Combination of ice maker and bin is not possible

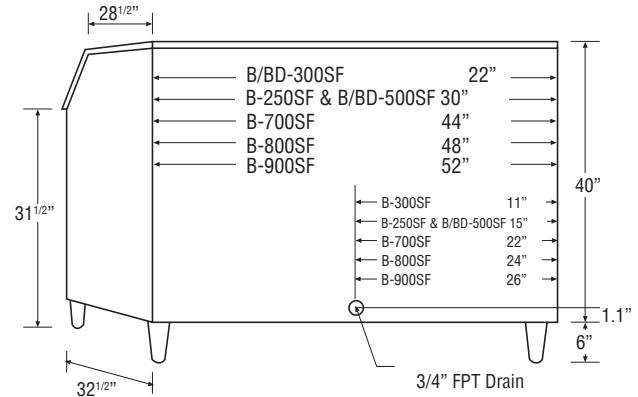
BD Bins fit 24" - 24 1/2" deep ice machine without Top Kit extension.

† **BD-300SF:** KMD-410M, KMS-822M, FD-650M-C, FD-1002M-C

‡ **BD-500SF:** KMD-460M, KMD-530M, KMD-860M, KMD-505M, KMD-705M

Top Kits:

- HS-2032 - 4" ABS Top Kit
- HS-2033 - 8" ABS Top Kit
- HS-2034 - 14" ABS Top Kit
- HS-2035 - 22" ABS Top Kit
- HS-2036 - (2) 4" ABS Top Kits
- HS-2066 - Seismic Kit for SD 500 Stands
- HS-2071 - Anchored Leg Kit SD 500 Stands
- HS-2111 - 11.3" x 26.2" Stainless Cover/Separator
- HS-2148 - 30" x 3.1" Stainless Cover
- HS-2153 - KMD-410 on B-300 bin
- HS-2160 - 2 KM-901M



Ice Drop Area



B Bins



BD Bins



Bin Flanged Legs:
B/BD-300SF



Bin Legs:
B-250SF, B/BD-500SF
B-700SF, B-800SF
B-900SF