



Get the App!

Indigo NXT Series iP0800 ice machine on D570 bin. Ice machine and bin sold separately.

ICE SHAPES



▶ **Half-Dice:** 3/8" x 1 1/8" x 7/8"
(0.95 x 2.86 x 2.22 cm)



▶ **Dice:** 7/8" x 7/8" x 7/8"
(2.22 x 2.22 x 2.22 cm)



▶ **Regular:** 1 1/8" x 1 1/8" x 7/8"
(2.86 x 2.86 x 2.22 cm)

SIZE

▶ Up to 781 lbs (354 kgs) of daily ice production

▶ 30" (76.20 cm) wide, 34" (86.36 cm) deep, and 76.5" (194.3 cm) high on 6" (15.24 cm) legs

▶ 532 lbs (241 kgs) ice bin storage capacity*

*Application capacity based on 90% volume x 33 lbs./ft³ average density of ice

SPECIFICATIONS

Refrigerant: R290

- ▶ Air-cooled: 14.1 oz (400 g)
- ▶ Water Cooled: 14.1 oz (400 g)

BTU Per Hour

- ▶ Air-cooled:
 - 14,080 (average)
 - 16,340 (peak)
- ▶ Water-cooled:
 - 14,080 (Average)
 - 16,340 (Peak)

Operating Limits

- ▶ Ambient temperature range: 35° to 110°F (1.7° to 43.3°C)
- ▶ Water temperature range: 40° to 90°F (4.4° to 32.2°C)
- ▶ Water pressure ice maker (water in)
 - Min. 20 psi (137.9 kPa)
 - Max. 80 psi (551.1 kPa)
- ▶ Condenser water pressure
 - Min. 20 psi (137.9 kPa)
 - Max. 276 psi (1,902.95 kPa)

Power: 208-230/60/1

- ▶ Air-cooled
 - Minimum circuit ampacity: 9 amps
 - Maximum fuse size: 15 Amps
- ▶ Water-cooled
 - Minimum circuit ampacity: 8.3 amps
 - Maximum fuse size: 15 amps

FEATURES

- ▶ Sanitation
 - Hinged front door and removable components (water trough, tube, curtain, probe, pump) allow easy interior access and cleaning.
 - Select parts feature AlphaSan[®] antimicrobial protection.
 - DuraTech[™] exterior provides superior corrosion resistance compared to stainless steel. Innovative clear coat resists finger prints and dirt.
 - Optional LuminIce[®] Growth Inhibitor helps control bacteria and yeast, with status indicator on display.
 - ▶ Sustainability & Value
 - R290 offers low global warming potential and zero ozone depletion.
 - Energy-efficient models (see EnergyStar.gov)
 - Icon-based easyTouch[®] display simplifies operation.
 - Acoustical probe and Active Sense help ensure consistent ice production.
 - 24-hour diagnostics support preventative maintenance.
 - Designed with programmable ice production to take advantage of off-peak rates and/or shut off over night to lower lifetime costs.*
 - Connect via Bluetooth for quick setup and instant machine information.
- *Based on manufacturer assumptions without independent testing. Results may vary by settings and conditions.

ACCESSORIES

- ▶ LuminIce[®] II virus and bacteria inhibitor helps control viruses and bacteria in the ice machine.
- ▶ iAuCS[®] schedules and performs routine ice machine descaling or sanitizing automatically.
- ▶ Arctic Pure[®] Pro water filters reduce sediments and chlorine contaminants down to 0.5 microns. For optimal performance, use the Arctic Pure prefilter in combination with the Arctic Pure primary filter.



LuminIce II



iAuCS



Arctic Pure Water Filters

iP0800

Manitowoc Ice Cube Machine

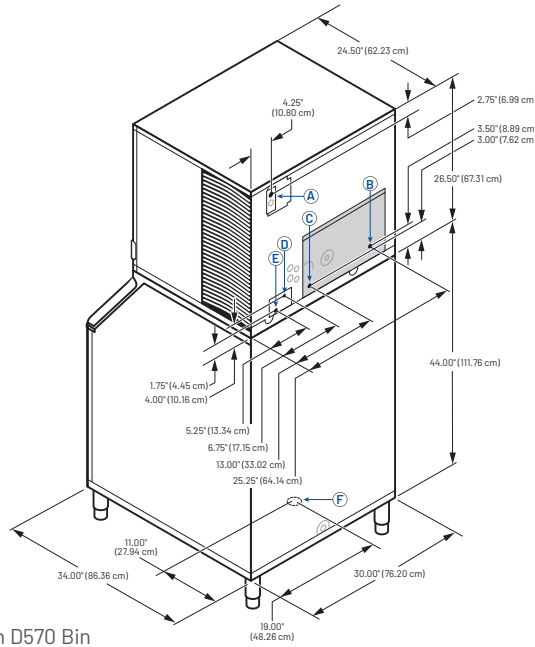
IRP0800A | IDP0800A | IYP0800A | IRP0800W | IDP0800W | IYP0800W

INSTALLATION

Ice machine must be installed indoors.

- Required clearance for
 - Top/side: 8" (20.32 cm)
 - Back: 5" (12.7 cm)

- A** Electrical Entrance (2) Options
 - B** 3/8" (0.95 cm) F.P.T. Water Condenser Inlet (water-cooled units)
 - C** 1/2" (1.27 cm) F.P.T. Water Condenser Outlet (water-cooled units)
 - D** 3/8" (0.95 cm) F.P.T. Ice Making Water Inlet
 - E** 1/2" (1.27 cm) F.P.T. Ice Making Water Drain
 - F** 3/4" (1.91 cm) Bin Drain
- 1/2" (1.27 cm)
 Auxiliary Base Drain Socket (not shown)



iP0800 on D570 Bin

SPACE-SAVING DESIGN



	iP0800 D400	iP0800 D570
Height	64.50" 163.83 cm	76.50" 194.30 cm
Width	30.0" 76.26 cm	30.0" 76.2 cm
Depth	34.0" 86.36 cm	34.0" 86.36 cm
Bin Storage	635 lbs 165 kgs	532 lbs 241 kgs

Height includes adjustable bin legs 6.00" to 8.00", (15.24 to 20.32 cm) set at 6.00" (15.24 cm).

Bin capacity is based on 90% of the volume x 33 lbs/ft³ average density of ice. Ice machine and bin sold separately.

SPECIFICATIONS

	Model	Ice Shape	Shipping Weight	Ice Production 24 Hours		Power Usage kWh per 100 lbs of ice	Ice Machine Potable water usage per 100 lbs ice	Condenser water usage per 100 lbs ice
				70° Air/50°F Water 21° Air/10°C Water	90° Air/70°F Water 32° Air/21°C Water			
Air Cooled	IRP0800A	Regular	181 lbs (82 kgs)	761 lbs (345 kgs)	650 lbs (295 kgs)	4.81 ★	13.5 gal (51.1 L)	N/A
	IDP0800A	Dice	180 lbs (82 kgs)	775 lbs (352 kgs)	674 lbs (306 kgs)	4.59 ★	13.7 gal (51.9 L)	N/A
	IYP0800A	Half-Dice	183 lbs (83 kgs)	745 lbs (338 kgs)	669 lbs (303 kgs)	4.87 ★	13.7 gal (51.9 L)	N/A
Water Cooled	IRP0800W	Regular	184 lbs (83.5 kgs)	781 lbs (354 kgs)	692 lbs (314 kgs)	3.72	13.6 gal (51.5 L)	115 gal (435 L)
	IDP0800W	Dice	184 lbs (83.5 kgs)	755 lbs (342 kgs)	658 lbs (298 kgs)	3.85	13.7 gal (51.9 L)	115 gal (435 L)
	IYP0800W	Half-Dice	184 lbs (83.5 kgs)	744 lbs (337 kgs)	684 lbs (310 kgs)	3.8	13.5 gal (51.1 L)	115 gal (435 L)

★ Energy Star Model

Limited Commercial Warranty

Ice Maker Three (3) years parts and labor

Evaporator Five (5) years parts and labor

Compressor Five (5) years parts, three (3) years labor



2110 South 26th Street | Manitowoc, WI 54220 | United States
 +1.920.682.0161 | 920.683.7589 Fax | manitowocice.com

All indicated Pentair trademarks and logos are property of Pentair. Third party registered and unregistered trademarks and logos are the property of their respective owners. ©2025 Pentair. All rights reserved.



SPA-312 • SFA-292 Ice Dispensers

Model SPA-312

SFA-292

ADA Compliant



SPA 312 Model

Designed for filling both ice buckets and glasses. The touch-less lever activated ice chute means the ice bucket or glass is used to dispense ice, not a hand.

Clearance from grate to bottom of the chute 9.5" (24.13 cm)



Indigo NXT iT0450 Ice Machine
SPA-312 Ice Dispenser
(Ice Machine and Dispenser sold separately)



Indigo NXT iT0450 Ice Machine
SFA-292 Ice & Water Dispenser
(Ice Machine and Dispenser sold separately)

SFA 292 Model

Designed for filling both ice buckets and glasses with a built in Water Valve. The touch-less lever activated ice chute means the ice bucket or glass is used to dispense ice, not a hand.

Clearance from grate to bottom of chute 9.5" (24.13 cm)



SPA-312 • SFA-292 Ice Dispensers

Standard Features

- 180 lbs. (82 kgs.) ice storage capacity. Accepts 22" (55.88 cm) or 30" (76.2 cm) wide Manitowoc ice machine.
- Only 30" (76.2 cm) wide, 32" (81.28 cm) deep, and 82" high (208.28 cm).
- The touch-less lever eliminates the need to touch a hand to the machine to dispense ice.
- Efficient built-in agitator assures 100% dispensing. Oversized drain pan collects larger quantity of ice overflow.
- DuraTech™ exterior provides superior corrosion resistance. Stainless finish with innovative clear-coat resists fingerprints and dirt.
- With Indigo and Indigo NXT ice machines you can program the ice machines to be off certain hours of the day so that while the hotel guests are sleeping, the ice machine can be too.

Warranty

- 5-year parts and 5-year labor coverage on ice machine evaporator.
- 5-year parts and 3-year labor coverage on ice machine compressor.
- 3-year parts-and-labor coverage on all other ice machine and dispenser components.

Ice Shape

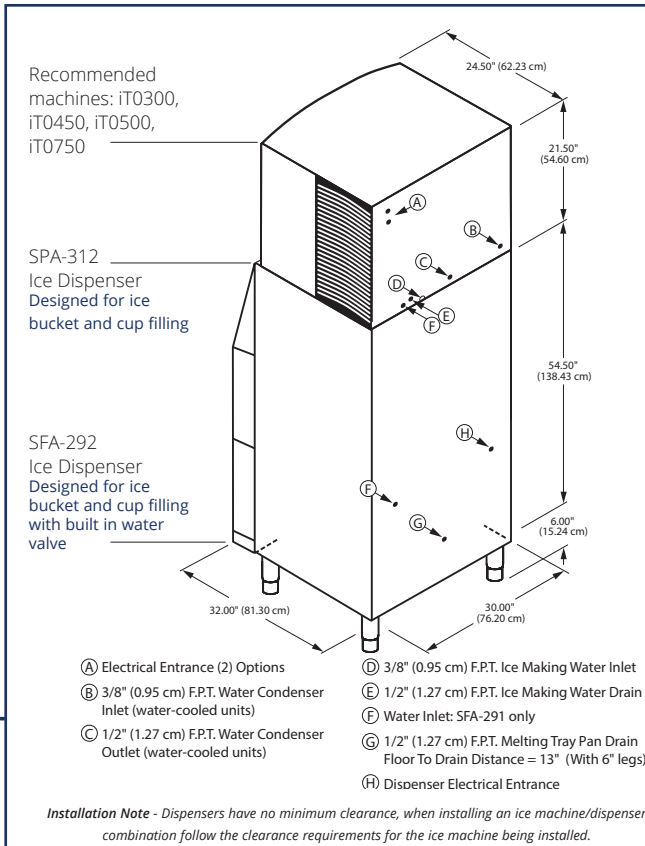


Half Dice
3/8" x 1 1/8" x 7/8"
(.95 x 2.86 x 2.22 cm)



Dice
7/8" x 7/8" x 7/8"
(2.22 x 2.22 x 2.22 cm)





Ice Machine Electric

Note: Dispenser will accept single 22" or 30" wide ice machine.* Ice machine ordered separately. Choose Dice or Half Dice cube size. Refer to ice machine specification sheet for electrical and complete AHRI standard ratings.

Dispenser Electric:

SPA 312 & SFA 291 available in 115/60/1, 230/50/1 Maximum Circuit Fuse Size:

15.0 amps. HACR-type circuit breakers can be used in place of fuses.

Dispenser Electrical Connection:

6' power cord, rated 125 VAC, 16-3 conductors with standard 3-prong, straight-blade, ground-type plug (NEMA configuration 5-15P).

Motor:

1.6 amps maximum. Permanently lubricated.

Service Access:

Dispenser door removes easily to access components.

Model Options:

SPA-312 touch-less activated lever only

SPA-292 touch-less activated lever with water valve

*22" wide ice machines on 30" wide dispensers require K-00365 Adapter & K-00348 Baffle.

Series IT0300 (115 v)

Model	Ice Shape	Ice Production 24 Hours			
		70°Air/50°F Water		90°Air/70°F Water	
		lbs.	kgs.	lbs.	kgs.
IDT0300A	dice	305	138	230	104
IDT0300W	dice	305	138	258	117
IYT0300A	half-dice	310	141	230	104
IYT0300W	half-dice	310	141	260	118

Series iT0500 (115 volt)

Model	Ice Shape	Ice Production 24 Hours			
		70°Air/50°F Water		90°Air/70°F Water	
		lbs.	kgs.	lbs.	kgs.
IDT0500A	dice	520	236	400	181
IDT0500W	dice	500	227	400	181
IYT0500A	half-dice	550	249	440	200
IYT0500W	half-dice	535	243	460	209

Series iT0450 (115 volt)

Model	Ice Shape	Ice Production 24 Hours			
		70°Air/50°F Water		90°Air/70°F Water	
		lbs.	kgs.	lbs.	kgs.
IDT0450A	dice	470	213	358	162
IDT0450W	dice	430	195	360	163
IYT0450A	half-dice	490	222	378	171
IYT0450W	half-dice	470	213	420	191

Series IT0750 (208-230 volt)

Model	Ice Shape	Ice Production 24 Hours			
		70°Air/50°F Water		90°Air/70°F Water	
		lbs.	kgs.	lbs.	kgs.
IDT0750A	dice	632	287	490	222
IDT0750W	dice	661	300	575	261
IYT0750A	half-dice	635	288	555	252
IYT0750W	half-dice	700	318	580	263

LumiIce® II Virus and Bacteria Inhibitor controls viruses and bacteria inside the ice machine.



Arctic Pure Plus Water Filters

AR-Pre-P

Filters dirt, rust, and hard sediments down to 5 micron.



AR-10000-P

Ultra-fine filtration reduces chlorine & contaminants down to .5 microns. Use of pre-filter recommended.



Manitowoc Ice reserves the right to make changes to the design or specifications without prior notice.