

Get the App!



Indigo NXT Series iP0420 ice machine on D320 bin. Ice machine and bin sold separately.

ICE SHAPES



▶ **Half-Dice:** 3/8" x 1 1/8" x 7/8"
(0.95 x 2.86 x 2.22 cm)



▶ **Dice:** 7/8" x 7/8" x 7/8"
(2.22 x 2.22 x 2.22 cm)

SIZE

- ▶ Up to 466 lbs (211 kgs) of daily ice production
- ▶ 22" (55.88 cm) wide, 34" (86.36 cm) deep, and 71.5" (181.61 cm) high including 6" (15.24 cm) legs
- ▶ 383 lb (174 kgs) ice bin storage capacity*

*Application capacity based on 90% volume x 33 lbs./ft³ average density of ice

SPECIFICATIONS

Refrigerant: R290

- Air-cooled: 6 oz (170 g)
- Water-cooled: 5.3 oz (150 g)

BTU Per Hour

- ▶ 8,800 (average)
- ▶ 10,570 (peak)

Operating Limits

- ▶ Ambient temperature range: 40° to 110°F (4.4° to 43.3°C)
- ▶ Water temperature range: 40° to 90°F (4.4° to 32.2°C)
- ▶ Water pressure ice maker (water in)
 - Min. 20 psi (137.9 kPa)
 - Max. 80 psi (551.1 kPa)
- ▶ Condenser inlet water in (water-cooled only)
 - Min. 20 psi (137.9 kPa)
 - Max. 276 psi (1,902.95 kPa)

Power: 115/60/1

- ▶ Air-cooled-115V
 - Minimum circuit ampacity: 12 amps
 - Maximum fuse size: 20 amps
- ▶ Water-cooled-115V
 - Minimum circuit ampacity: 11.3 amps
 - Maximum fuse size: 15 amps

FEATURES

- ▶ Sanitation
 - Hinged front door and removable components (water trough, tube, curtain, probe, pump) allow easy interior access and cleaning.
 - Select parts feature AlphaSan[®] antimicrobial protection.
 - DuraTech[™] exterior provides superior corrosion resistance compared to stainless steel. Innovative clear coat resists finger prints and dirt.
 - Optional LuminIce[®] Growth Inhibitor helps control bacteria and yeast, with status indicator on display.
 - ▶ Sustainability & Value
 - R290 offers low global warming potential and zero ozone depletion.
 - Icon-based easyTouch[®] display simplifies operation.
 - Acoustical probe and Active Sense help ensure consistent ice production.
 - 24-hour diagnostics support preventative maintenance.
 - Designed with programmable ice production to take advantage of off-peak rates and/or shut off over night to lower lifetime costs.*
 - Connect via Bluetooth for quick setup and instant machine information.
- *Based on manufacturer assumptions without independent testing. Results may vary by settings and conditions.

ACCESSORIES

- ▶ LuminIce[®] II virus and bacteria inhibitor helps control viruses and bacteria in the ice machine.
- ▶ iAuCS[®] schedules and performs routine ice machine descaling or sanitizing automatically.
- ▶ Arctic Pure[®] Pro water filters reduce sediments and chlorine contaminants down to 0.5 microns. For optimal performance, use the Arctic Pure prefilter in combination with the Arctic Pure primary filter.



LuminIce II



iAuCS



Arctic Pure Water Filters

INDIGO NXT iP0420

Manitowoc Ice Cube Machine

IDP0420A | IYP0420A | IDP0420W | IYP0420W

INSTALLATION

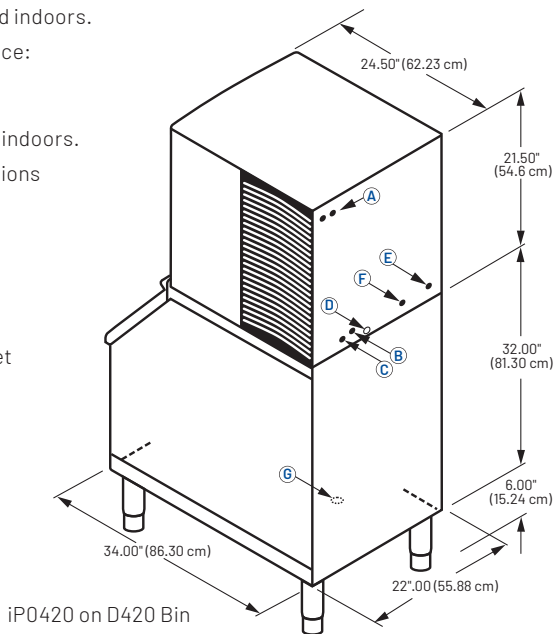
Ice machine must be installed indoors.

Minimum installation clearance:

- Top/side: 12" (30.5 cm)
- Back: 5" (12.7 cm)

Installation location must be indoors.

- A** Electrical Entrance (2) Options
- B** 3/8" (0.95 cm) F.P.T. Ice Making Water Inlet
- C** 1/2" (1.27 cm) F.P.T. Ice Making Water Outlet
- D** 1/2" (1.27 cm) Auxiliary Base Drain Socket
- E** 3/8" (0.95 cm) F.P.T. Water Condenser Inlet (water-cooled units)
- F** 1/2" (1.27 cm) F.P.T. Water Condenser Outlet (water-cooled units)
- G** 3/4" (1.91 cm) Bin Drain



iP0420 on D420 Bin

SPACE-SAVING DESIGN



	iP0420 D320	iP0420 D420
Height	59.50" 151.13 cm	71.5" 181.61 cm
Width	22.0" 55.9 cm	22.0" 55.9 cm
Depth	34.0" 86.36 cm	34.0" 86.36 cm
Bin Storage	264 lbs 120 kgs	383 lbs 174 kgs

Height includes adjustable bin legs 6.00" to 8.00", (15.24 to 20.32 cm) set at 6.00" (15.24 cm).

Bin capacity is based on 90% of the volume x 33 lbs/ft³ average density of ice. Ice machine and bin sold separately.

SPECIFICATIONS

	Model	Ice Shape	Shipping Weight	Ice Production 24 Hours		Power Usage kWh per 100 lbs of ice	Ice Machine Potable water usage per 100 lbs ice	Condenser water usage per 100 lbs ice
				70° Air/50°F Water 21° Air/10°C Water	90° Air/70°F Water 32° Air/21°C Water			
Air Cooled	IDP0420A	Dice	131 lbs (59.42 kgs)	463 lbs (210 kgs)	358 lbs (162 kgs)	5.9	14.44 gal (55.7 L)	N/A
	IYP0420A	Half-Dice	134 lbs (60.78 kgs)	437 lbs (198 kgs)	336 lbs (152 kgs)	5.9	14.76 gal (55.9 L)	N/A
Water Cooled	IDP0420W	Dice	132 lbs (59.87 kgs)	442 lbs (205 kgs)	369 lbs (167 kgs)	5.06	13.9 gal (52.6 L)	141.3 (534.9 L)
	IYP0420W	Half-Dice	132 lbs (59.87 kgs)	466 lbs (211 kgs)	416 lbs (189 kgs)	4.81	14 gal (53 L)	114.7 (434 L)

R290 is a refrigerant grade propane which is naturally occurring with no ozone depletion potential and extremely low global warming potential.

Limited Commercial Warranty

Ice Maker Three (3) years parts and labor

Evaporator Five (5) years parts and labor

Compressor Five (5) years parts, three (3) years labor



2110 South 26th Street | Manitowoc, WI 54220 | United States
+1.920.682.0161 | 920.683.7589 Fax | manitowocice.com

All indicated Pentair trademarks and logos are property of Pentair. Third party registered and unregistered trademarks and logos are the property of their respective owners. ©2025 Pentair. All rights reserved.



SPA-162 • SFA-192 Touchless Ice Dispensers

Model



SPA-162



SFA-192

ADA Compliant



ONLY 22" WIDE

SPA Model

Designed for filling both i buckets and glasses. The touch-less lever activated ice chute means the ice bucket or glass is used to dispense ice, not a hand. Clearance from the grate to the bottom of the chute 9.5" (24.13cm).

Coupled with an Indigo NXT ice machine, you can program the ice machine to be off at night so that while the hotel guests are sleeping, the ice machine can be too!



Indigo NXT iT0620 Ice Machine
SPA-162 Ice Dispenser
(Ice Machine and Dispenser sold separately)



Indigo NXT iT0620 Ice Machine
SFA-192 Ice & Water Dispenser
(Ice Machine and Dispenser sold separately)

SFA Model

Designed for filling both ice buckets and glasses with a built in Water Valve. The touch-less lever activated ice chute means the ice bucket or glass is used to dispense ice, not a hand. Clearance from grate to bottom of chute 9.5" (24.13 cm) .



Standard Features

- 120 lbs. (54.4 kgs.) ice storage capacity. Accepts 22" (55.88 cm) wide Manitowoc ice machine.
- Only 22" (55.88 cm) wide, 31" (78.7 cm) deep, and 75.5" high (191.77 cm).
- The touch-less lever eliminates the need to touch a hand to the machine to dispense ice.
- Efficient built-in agitator assures 100% dispensing. Oversized drain pan collects larger quantity of ice overflow.
- DuraTech™ exterior provides superior corrosion resistance. Stainless finish with innovative clear-coat resists fingerprints and dirt.

Warranty

- 5-year parts and 5-year labor coverage on ice machine evaporator.
- 5-year parts and 3-year labor coverage on ice machine compressor.
- 3-year parts-and-labor coverage on all other ice machine and dispenser components.

Ice Shape



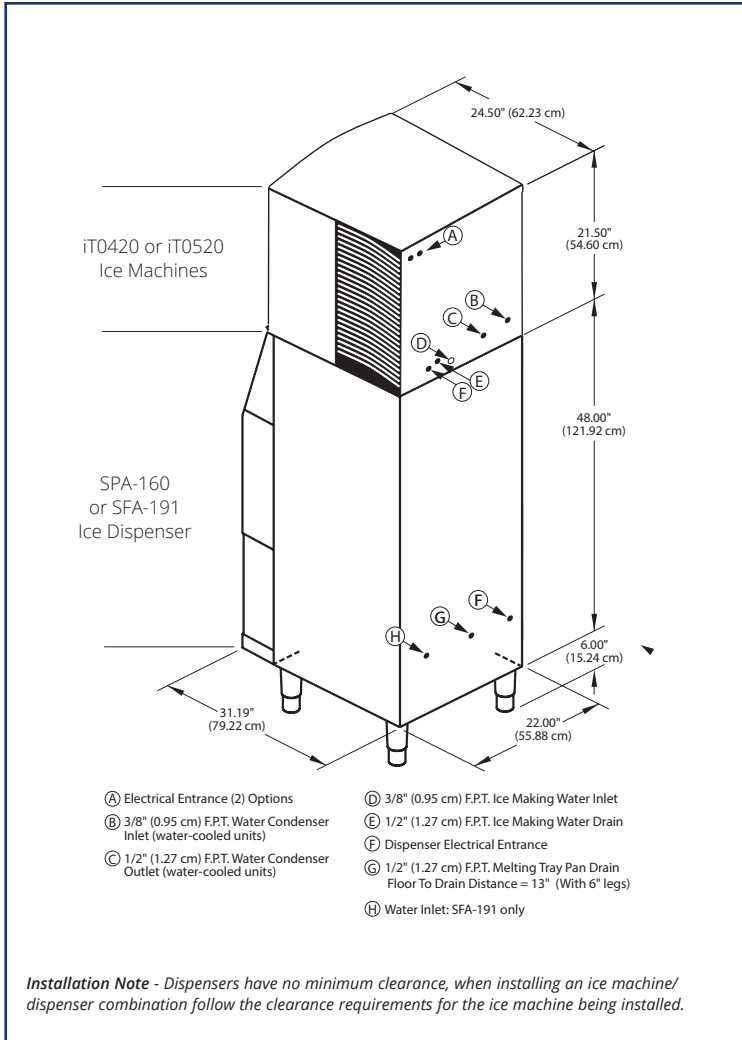
Half Dice
3/8" x 1 1/8" x 7/8"
(.95 x 2.86 x 2.22 cm)



Dice
7/8" x 7/8" x 7/8"
(2.22 x 2.22 x 2.22 cm)



SPA-162 • SFA-192 Touchless Ice Dispensers



Ice Machine Electric

Note: Dispenser will accept single 22" wide ice machine. Ice machine ordered separately. Choose Dice or Half Dice cube size. Refer to ice machine specification sheet for electrical and complete AHRI standard ratings.

Dispenser Electric:

115/60/1. (208-230/60/1 and 230/50/1 also available.)

Maximum Circuit Fuse Size:

15.0 amps. HACR-type circuit breakers can be used in place of fuses.

Dispenser Electrical Connection:

6' power cord, rated 125 VAC, 16-3 conductors with standard 3-prong, straight-blade, ground-type plug (NEMA configuration 5-15P).

Motor:

1.6 amps maximum. Permanently lubricated.

Service Access:

Dispenser door removes easily to access components.

Model Options:

SPA-162 touch-less activated lever only
SFA-192 touch-less activated lever with water valve

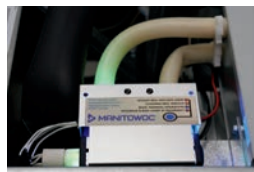
Series iT0420 (115 volt)

Model	Ice Shape	Ice Production 24 Hours			
		70°Air/50°F Water		90°Air/70°F Water	
		lbs.	kgs.	lbs.	kgs.
IDT-0420A	dice	470	213	375	170
IDT-0420W	dice	454	206	400	181
IYT-0420A	half-dice	460	209	375	170
IYT-0420W	half-dice	490	222	425	193

Series iT0620 (115 volt)

Model	Ice Shape	Ice Production 24 Hours			
		70°Air/50°F Water		90°Air/70°F Water	
		lbs.	kgs.	lbs.	kgs.
IDT-0620A	dice	560	254	450	204
IDT-0620W	dice	530	240	450	204
IYT-0620A	half-dice	575	261	465	211
IYT-0620W	half-dice	560	254	485	220

LuminIce® II Virus and Bacteria Inhibitor
controls viruses and bacteria inside the ice machine



Arctic Pure Plus Water Filters

AR-Pre-P

Filters dirt, rust, and hard sediments down to 5 micron.



AR-10000-P

Ultra-fine filtration reduces chlorine & contaminants down to .5 microns. Use of pre-filter recommended.



Manitowoc Ice reserves the right to make changes to the design or specifications without prior notice.