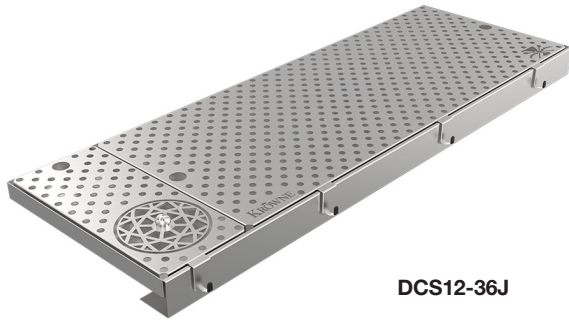


# Adaptive Scupper Jet Rinser/Drainboard



**DCS6-36J**



**DCS12-36J**

## Standard Features

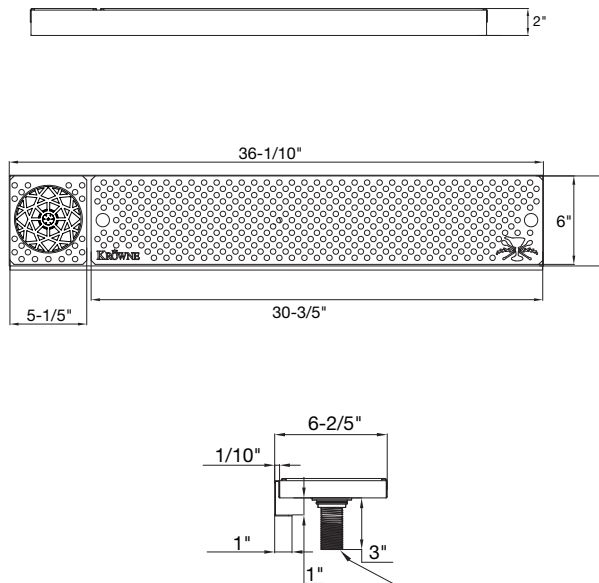
- Organized station = better flow: keeps tools and workspace organized and dry, supporting faster, more consistent service
- Adaptable for any bartender: sections can be rearranged to match personal preferences or left/right-handed setups
- Consistent brand aesthetic: uniform design across multiple bars or locations creates a cohesive, professional appearance
- Smooth workflow: properly placed scupper rails reduce clutter and help bartenders move efficiently
- Elevated work area: gives bartender space to finish or create cocktail for overall visual presentation
- Tool storage: multi-facet tool storage capabilities plus bitter storage as well
- Fully insulated: garnish box fully insulated to keep garnishes fresh for long periods of time

## Specifications

<b>Height</b>	1"
<b>Width</b>	36.1"
<b>Material</b>	Stainless steel
<b>Weight</b>	8.3 lbs. (DCS6-36J) 12.7 lbs. (DCS12-36J)

Model	Description
DCS6-36J	Death & Co Adaptive Scupper Jet Rinser/Drainboard, 6" x 36"
DCS12-36J	Death & Co Adaptive Scupper Jet Rinser/Drainboard, 12" x 36"

**DCS6-36J**



**DCS12-36J**

