



Model: **28-166S** Item #: \_\_\_\_\_ Date: \_\_\_\_\_  
 Project: \_\_\_\_\_ Qty: \_\_\_\_\_ Approved By: \_\_\_\_\_

# Triangle Heavy Duty Plate Caster

**CASTERS**

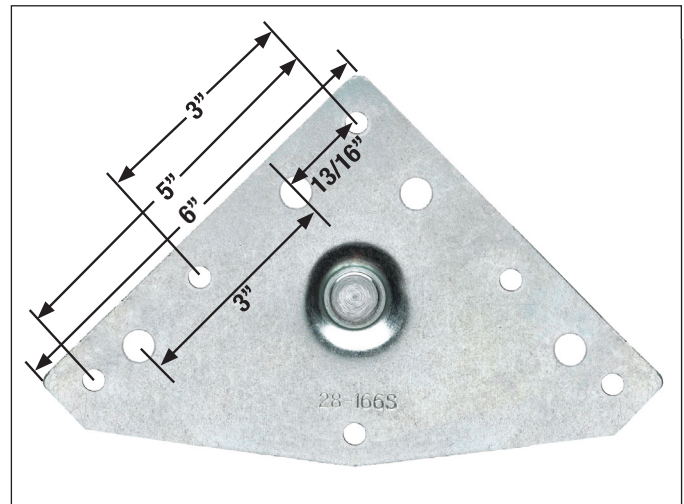
## Product Image



## Standard Features

- Grease resistant wheels with brakes
- Heavy duty 500 lb. load capacity per caster
- Set of 4 casters per box
- Quantity per case: 4

## Hole Centers



## Specifications

Model	Weight (Set of 4)	Load Capacity per Caster	Temp Range	Wheel Size	Overall Height
28-166S	17	500	14°F to 212°F	5" with Brakes	6"