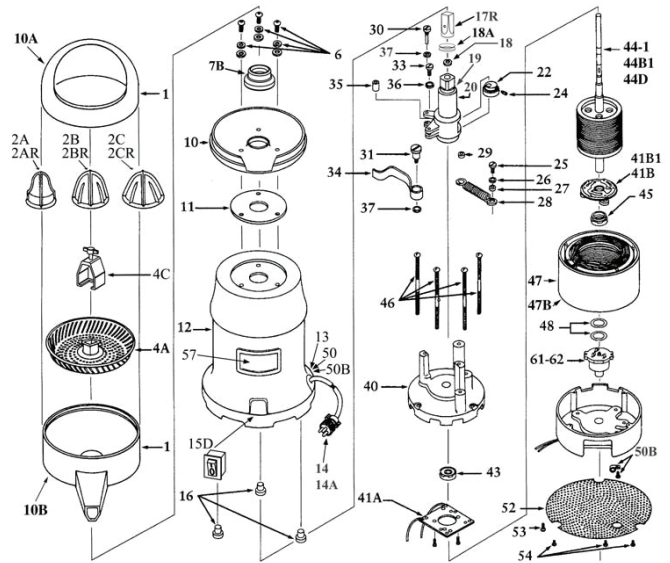


# Commercial Juicer Information



MODEL	COLOR	DESCRIPTION
J-1	CHROME	115 V / 60 Hz 1725 RPM
J-2CE	CHROME	230 V / 50 Hz 1425 RPM
J-2	CHROME	230 V / 50 Hz 1425 RPM
J-2CCC	CHROME	230 V / 50 Hz 1425 RPM, China Certified

1	Plastic Bowl Assembly incl. Dome (10A), spout (10B) & Bowl Support (10)
2	Extracting Bulb Set w/metal insert (Only use with 17 or 17C) A. Lemon/Lime fits #8 model B. Orange fits #7 & #8 models C. Grapefruit fits #7 & #8 models
2R	Extracting Bulb Set w/o metal insert (Only use with 17R) A. Lemon/Lime fits #8 model B. Orange fits #7 & #8 models C. Grapefruit fits #7 & #8 models
3	Lever Lock & Screws for Strainer (For #7 juicer-not illustrated)
4	Strainer w/Lever Lock & Screws (For #7 juicer-not illustrated)
4A	Strainer for #8 juicer
4C	Strainer Puller for #8 juicer
6	Bowl Support Screws, Spacers, Washers (set of 3)
7	Umbrella Ring w/Set Screw & Gasket (Not illustrated)
7B	Umbrella Seal (only for grooved eccentric housings, replaces 7, 8, & 9)
8	Umbrella Ring Set Screw (incl'd w/7 not illustrated)
9	Umbrella Ring Gasket (incl'd w/7 not illustrated)
10	Plastic Bowl Support only (incl'd w/1)
10A	Plastic Dome only (incl'd w/1)
10B	Plastic Spout only (incl'd w/1)
11	Bowl Support Gasket
12	Chrome Motor Housing
13	Electric Cord Bushing
14	Electric Cord 115/60
14A	Robber Cord-Export
15	Toggle Switch w/Switch Guard (not illustrated)
15D	Rocker Switch w/Switch Seal
15E	Connectors for 14 & 15D (Set of 4 not illustrated)
16	Rubber Feet (set of 3)
17	Shaft Tip w/Pin (Only use w/2A, 2B and/or 2C not illustrated)
17C	Shaft Tip w/Pin (Graduated tip-not illustrated)
17R	Shaft Tip w/Pin (Flat tip-only use w/2AR, 2BR, 2CR not illustrated)
18	Eccentric Housing Gasket (incl'd w/20)
18A	Shaft Tip Gasket (fits 17C & 17R)
19	Brass Tube
20-7	Eccentric Housing w/Bearings, Gasket & Brass Tube #7 juicer
20-8	Eccentric Housing w/Bearings, Gasket & Brass Tube #8 juicer
20-8C	Eccentric Mechanism #8 juicer
22	Eccentric Hub w/Bearing & Screw
24	Eccentric Hub Hex Screw 1/4-20x1/2
25	Spring Screw to Motor Mount 10-32
26	Lock Washers incl. 36 (2) & 37 (3)
27	Bronze Bushing Coil Spring to Motor Mount 9/64 x 3/8 x 1/4
28	Coil Spring
29	Bronze Bushing Coil spring to Ecc. Housing 9/63 x 3/8 x 3/16
30	Arm Screw-Small 1/4-32 x 1 1/16
31	Arm Screw-Large 1/4-20 x 29/32
33	Spring Screw to Ecc. Housing 1/4-32
34	Eccentric Arm
35	Ecc. Arm Bronze Bushing 1/2 x 3/16 x 5/16
36	Lock Washer, 3/16, Internal Tooth
37	Lock Washer, 1/4, Internal Tooth
40	Top Motor Casting



## SPECIFICATION

Chrome plated steel housing.
Corrosion proof plastic dome, spout & bowl support.
Listed by UL, CUL, CE, CCC, NSF
Shipping Weight 37 pounds
Net Weight 31 pounds
Overall Dimensions 17" high, 8" diameter
Cube 1.12
Carton Size 22 3/4" x 9 3/4" x 9 3/4"
Horsepower 1/4 continuous-operating

## PART DESCRIPTION

41A	Stationary Motor Switch
41B	Centrifugal Motor Switch 115V
43	Motor Bearing-top or bottom
44-1	Rotor w/Shaft 115/60
44B1	Rotor w/Shaft 230/50
44D	Rotor w/Shaft 230/60
45	Motor Bearing-top or bottom
46	Motor Screws (set of 4)
47	Stator (winding) 115/60
47B	Stator (winding) 230/50
48	Tension Washers (set of 2)
50	Electric Cord Strain Relief; J-2
50B	Electric Cord Strain Relief; J-1, J-4
52	Perforated Base Plate
53	Ground Screw w/Lock Washer for J-1, J-2 (set of 2)
54	Base Plate Screws for J-1, J-4 3/ea
57	Logo Plate, Label & Fastners
61	Thermal Overload 115/60
62	Thermal Overload 230/50
64	Model #7 or #8 Motor 115/60 4.3 amp - 1725 rpm
65	Model #7 or #8 Motor 230/50 2.5 amp - 1425 rpm
67	Model #7 or #8 Motor