



Operation

- Touch-free dual sensor activation
- Standard 11 second max run time per activation
- Standard 11 second auto system rinse if not activated within 24 hours
- Option for manual flush
- Low flow options 0.35 gpm (1.3 Lpm), 0.05 gpc (0.25 Lpc) or 0.50 gpm (1.9 Lpm), 0.09 gpc (0.35 Lpc)
- Laminar flow device

Sensor Technology

- Dual sensor detects user's hand within a 4-9/16" (116 mm) detection range
- First sensor is always operating but does so under low power settings, while the second sensor is more accurate in its detection, minimizing false activations
- After the first sensor detects the presence of something, the second sensor is activated to ensure accurate activation of the fixture
- Sensors work in tandem to adapt to light, color, and optimize battery life
- Sensor has a narrow cone to prevent simultaneous activations with the soap dispenser

Indicator Lights

- Power ON: Flashes red for 1.5 seconds
- Water dispense activation: Single flash green light
- Low power indication: Continuously flashing green light

Power Source

Standard Equipment

- Battery box
- 4x AA alkaline batteries included
- Battery life – alkaline up to 500,000 cycles per set
- Easily convert from battery only to AC adapter
- Low battery indicator with sensor package

Optional Equipment

- Single AC adapter or AC adapter splitter kit (ordered separately)
- Splitter kit powers up to 4 faucets or combination of 4 faucets and soap dispensers
- 120V AC/6V DC plug-in adapter requires 120V/220V, 50/60Hz power source
- Battery box converts to battery back-up when using AC adapter



Lithium AA batteries are not recommended.

Verify all rough-in dimensions prior to installation.
Consult local and national codes. Conformity and compliance to local and national codes is the responsibility of the installer.

Mounting

- Requires 1-1/4" to 1-3/8" centershank drilling
- When paired with Bradley lavatory, faucet drilling will be 1 1/4".
- Requires a maximum deck thickness of 2".
- Faucet comes with rotation-resistant connection
- Minimum of 6" center-to-center spacing between Verge faucet and Verge soap drillings is required to ensure proper fitup of components

Materials

Faucet comes in chrome-plated cast brass construction with optional in-stock PVD finishes*.

* PVD Finishes

Physical Vapor Deposition is an intricate, environmentally friendly finishing process that molecularly bonds the finish to the faucet, creating a very hard, durable surface that will not corrode, discolor, or tarnish.

Vandal Resistance

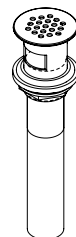
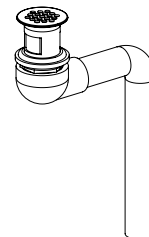
- Concealed sensor package deters vandalism
- Shank features rotation-resistant locking nut
- Vandal-resistant laminar flow device
- Durable PVD finish is scratch resistant
- Optional 4" centerset trim plates with integral rotation-resistant pins are available for additional vandal resistance

Water Supply

- Operating water pressure range 20-125 psi
- Control module integrates choice of thermostatic mixing valve or tempered line valve to deliver tempered water
- Water source located outside of control module to prevent water damage to electrical components
- In-line filter included with mixing valve and tempered line valve to trap debris

Drain Assembly

- Complete your faucet selection with an optional drain assembly
- Includes grid strainer in matching chrome-plated finish or PVD finishes
- Available in a straight or ADA offset configuration

Straight**ADA Offset**



A WATTS Brand

S53-3300 Verge™ Faucet – Metro Series

Model (select one)	
S53-3300	Verge Faucet – Metro Series
Standard Selections (must select one from each category)	
Activation Type	
R	Touch-Free Dual Sensor Activation
Water Supply Type (select one)	
T	Navigator Thermostatic Mixing Valve
L	Tempered Line Adapter
Flow Type (select one)	
3	0.35 gpm Silicone Tip, (multiple individual laminar flow streams)
5	0.5 gpm Silicone Tip, (multiple individual laminar flow streams)
Finish Type (select one)	
PC	<input type="checkbox"/> Polished Chrome
BB	<input type="checkbox"/> Brushed Black Stainless
BS	<input type="checkbox"/> Brushed Stainless
BZ	<input type="checkbox"/> Brushed Bronze
BR	<input type="checkbox"/> Brushed Brass
BN	<input type="checkbox"/> Brushed Nickel
Optional Selections (select one)	
Drain Assembly (includes strainer and tailpiece)	
D-ASSY	Drain Assembly - Straight Tailpiece
D-ASSY-ADA	Drain Assembly - ADA Offset Tailpiece
NONE	No Drain Assembly
NOTE: The drain assembly finish will match the faucet finish.	
Transformer Type (select one)	
A14-029	AC Adapter – Electrical Plug Type B (one per faucet)
NONE	No AC Adapter (battery box only)

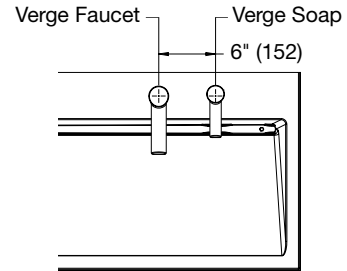
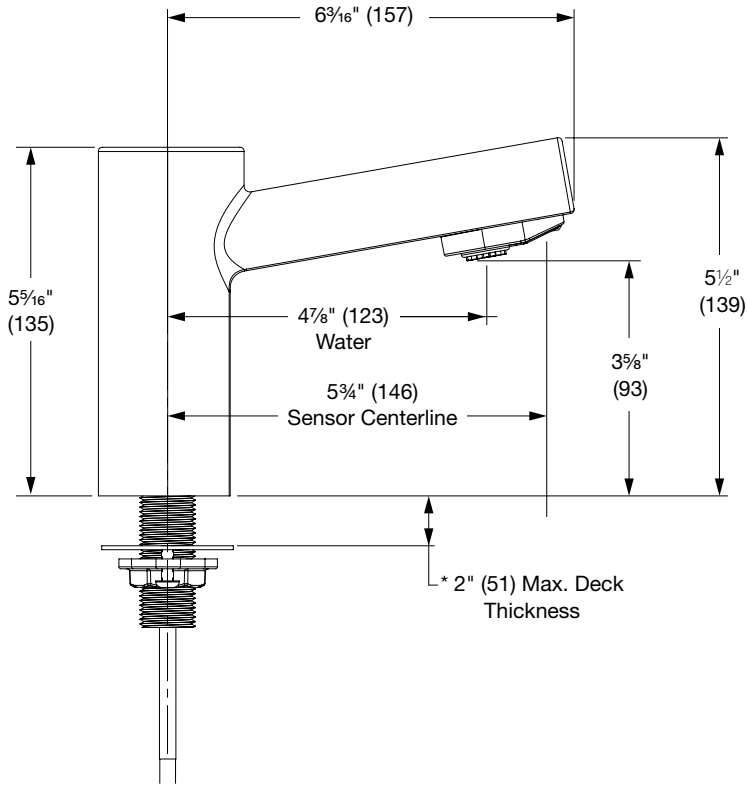
Additional Parts for Purchase (Purchased Separately)	
Verge Faucet Trim Plate (select one)	
S39-869-PC	<input type="checkbox"/> Polished Chrome Finish
S39-869-BB	<input type="checkbox"/> Brushed Black Finish
S39-869-BS	<input type="checkbox"/> Brushed Stainless Finish
Feature	Part Number
AC Adapter Splitter Assembly accommodates up to 4 devices when desiring a combination of multiple devices (faucet, soap, & multi-feed soap tank assembly) and/or stations. (Electrical Plug Type B)	A14-031

Verify all rough-in dimensions prior to installation. Consult local and national codes. Conformity and compliance to local and national codes is the responsibility of the installer.



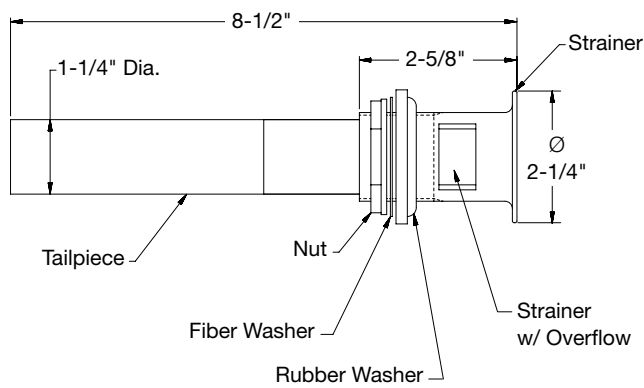
Metro Series Faucet Dimensions

(mm)

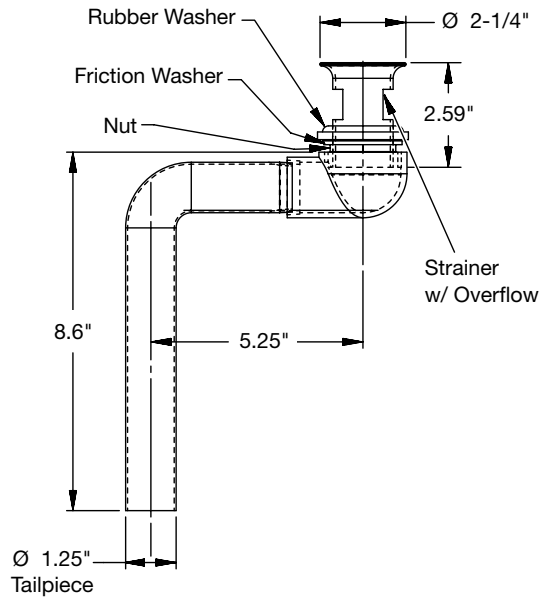


✓ When pairing Verge faucets with Verge soap, a minimum of 6" center-to-center spacing between drillings is required to ensure proper fitup of components. *Verge soap dispensers require a maximum deck material thickness of 1.25".

Straight Drain Assembly



ADA Offset Drain Assembly



Verify all rough-in dimensions prior to installation.
 Consult local and national codes. Conformity and compliance to local and national codes is the responsibility of the installer.