

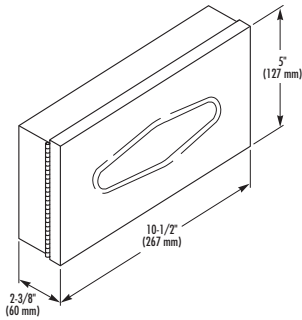


987-11

Surface-mounted facial tissue dispenser fabricated of stainless steel with exposed surfaces in satin finish. Holds one box of 100 tissues. Satin Finish.

Unit measures 10.5" W x 5" H x 2.375" D
(267 x 127 x 60 mm)

See bradleycorp.com for exact dimensions.

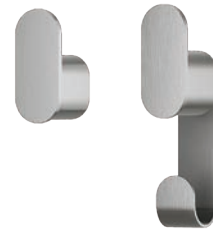
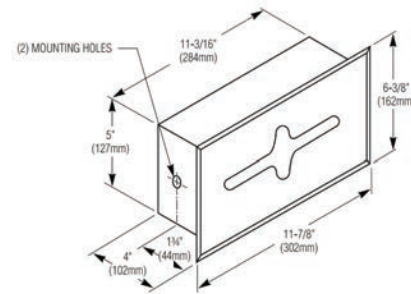


987-36

Recess-mounted, large-capacity facial tissue dispenser fabricated of stainless steel with exposed surfaces in satin finish. Holds one box of 300 tissues. Satin Finish.

Rough wall opening: 10.75" W x 5.125" H x 4" D
(273 x 130 x 102 mm)

See bradleycorp.com for exact dimensions.



9B1-110000

Surface-mounted stainless steel hook. 14-gauge, 300 series stainless steel in a brushed #3 satin finish or optional electrocoat finishes.

See technical data for sizes and BradEx options

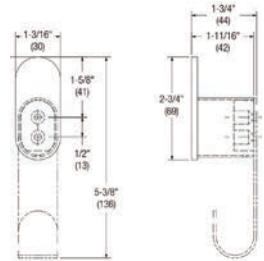
2-3/4" H x 1-3/16" W x 1-11/16" D
(69 x 30 x 42mm)

9B1-110200

Double Hook.

See technical data for sizes and BradEx options

5-3/8" H x 1-3/16" W x 1-3/4" D
(136 x 30 x 44mm)



9114

Surface-mounted stainless steel, single robe hook. Concealed mounting plate with set screw. Satin Finish.

Units measure 2" W x 2" H (51 x 51 mm)

Projects 2" (51 mm) from wall



917

Surface-mounted stainless steel, single robe hook. Exposed mounting. Satin Finish.

Projects 1.125" (29 mm) from wall



9124

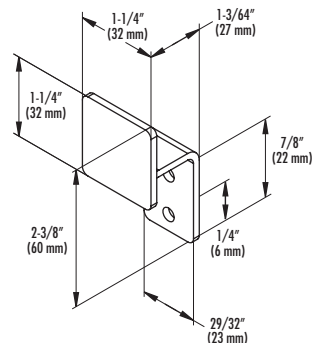
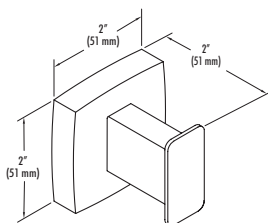
Surface-mounted stainless steel, double robe hook. Concealed mounting plate with set screw. Satin Finish.

Projects 2.25" (57 mm) from wall



9115

Bright Polish Finish



9125

Bright Polish Finish

