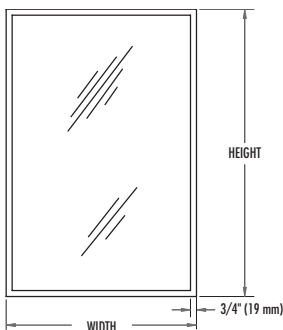




780

Angle framed mirror. 0.75" x 0.75" (19 mm x 19 mm) satin finish, stainless steel angle frame with welded and polished corners. 0.25" (6 mm) thick glass. Wall hanger of 18-gauge steel provides theft-resistant mounting. Galvanized steel back plate with shock-absorbing, waterproof filler. Standard or barrier-free applications.

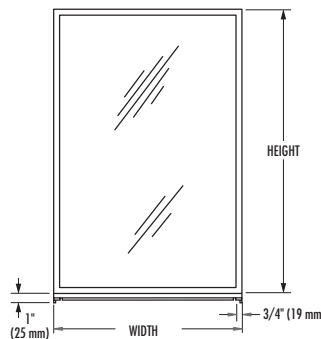
See technical data for BradEX sizes **BX**



7805

Angle framed mirror with shelf. 0.75" x 0.75" (19 mm x 19 mm) satin finish stainless steel angle frame with welded and polished corners. 0.25" (6 mm) thick glass. 5.5" (140 mm) W satin finish stainless steel shelf welded to frame. Shelf has flanged front and sides. Wall hanger of 18-gauge steel provides vandal- and theft-resistant mounting. Galvanized steel back plate with shock-absorbing, waterproof filler. Standard or barrier-free applications.

See technical data for BradEX sizes **BX**



781

Channel framed mirror. 0.75" x 0.75" x 0.4375" (19 mm x 19 mm x 11 mm) channel frame of stainless steel with bright annealed finish. Neatly mitered corners. 0.25" (6 mm) thick glass. Wall hanger of 18-gauge steel provides vandal- and theft-resistant mounting. Galvanized steel back plate with shock-absorbing, waterproof filler. Standard or barrier-free applications.

See technical data for BradEX sizes **BX**

