



YOU CAN TRUST

## ECONOMY SLICERS

GL200F / GL250F / GL300F



### STANDARD FEATURES

- Our line of economy manual slicers is an excellent choice for small to medium operations with limited space and/or budget.
- These light to medium duty manual Slicers are equipped with top mounted sharpener always ready to use. Stones edge swings clear of blade when not in use. Grinding and honing stones can be used independently or simultaneously.
- Belt driven.
- Moisture proof on/off switch
- Carriage, gauge plate and knife cover easily removable without tools and streamlined design, rounded corners make thorough cleaning practical and easy.
- Nonslip rubber feet.
- These units are suitable for sub shops, restaurants, hotels and similar meat slicing applications. Not recommended for slicing cheese.



**GL200F**  
8" ECONOMY SLICER



**GL250F**  
10" ECONOMY SLICER



**GL300F**  
12" ECONOMY SLICER



#### ITALIAN BLADE

Models feature chromium-plated steel knife made in Italy.



**Skyfood Equipment LLC**  
175 SW 7th Street, Ste 2416  
Miami, FL 33130

**Toll Free:**  
1-800-503-7534  
sales@skyfood.us

[www.skyfood.us](http://www.skyfood.us)



Follow us to keep up to date with the latest news and offers

/SkyfoodEquipment

/SkyfoodEquipment

/SkyfoodEquipment

ILLUSTRATIVE PHOTO, ACTUAL PRODUCTS AND ACCESSORIES ARE SUBJECT TO CHANGE WITHOUT NOTICE.



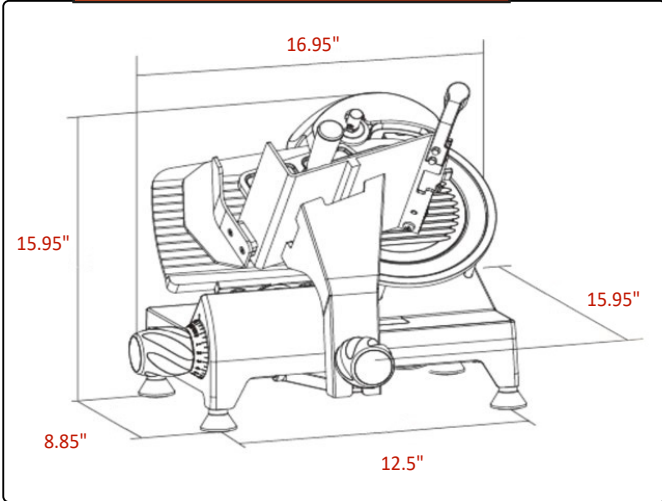
YOU CAN TRUST

## ECONOMY SLICERS

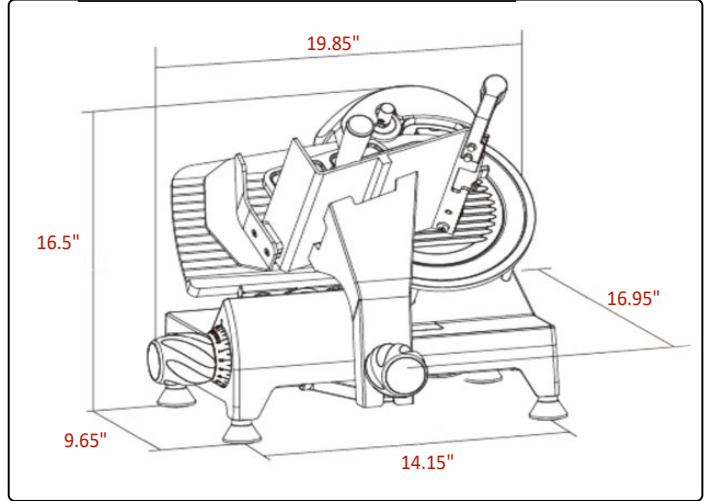
GL200F / GL250F / GL300F



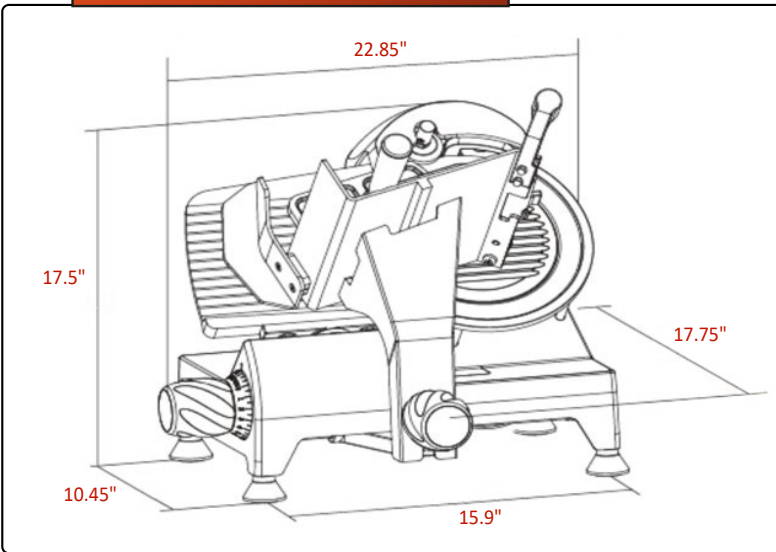
### DIMENSIONS / GL200F



### DIMENSIONS / GL250F



### DIMENSIONS / GL300F



**WARRANTY 01 YEAR PARTS AND LABOR VALID IN THE CONTINENTAL UNITED STATES.**



Item	Voltage	Power Rating	Amps	Dimensions (W x D x H)	Weight (Net x Ship)	Blade	Cutting (W x H)	Max. Slice	PLUG
GL200F	110 V	1/4 HP	2	16.95" x 15.95" x 15.95"	5.3 lb x 6 lb	8"	6" x 4 1/2"	9/16"	NEMA 5-15P
GL250F	110 V	1/3 HP	3	19.85" x 16.95" x 16.5"	10.4 lb x 11 lb	10"	7 1/2" x 5 1/2"	9/16"	NEMA 5-15P
GL300F	110 V	1/3 HP	3	22.85" x 17.75" x 17.5"	11 lb x 12 lb	12"	7 7/8" x 8 3/4"	9/16"	NEMA 5-15P



**Skyfood Equipment LLC**  
175 SW 7th Street, Ste 2416  
Miami, FL 33130

**Toll Free:**  
1-800-503-7534  
sales@skyfood.us

[www.skyfood.us](http://www.skyfood.us)



Follow us to keep up to date with the latest news and offers

[/SkyfoodEquipment](#)

[/SkyfoodEquipment](#)

[/SkyfoodEquipment](#)

ILLUSTRATIVE PHOTO, ACTUAL PRODUCTS AND ACCESSORIES ARE SUBJECT TO CHANGE WITHOUT NOTICE.