



# CATALOG OF REPLACEMENT PARTS

## TCM ELECTRIC OVEN

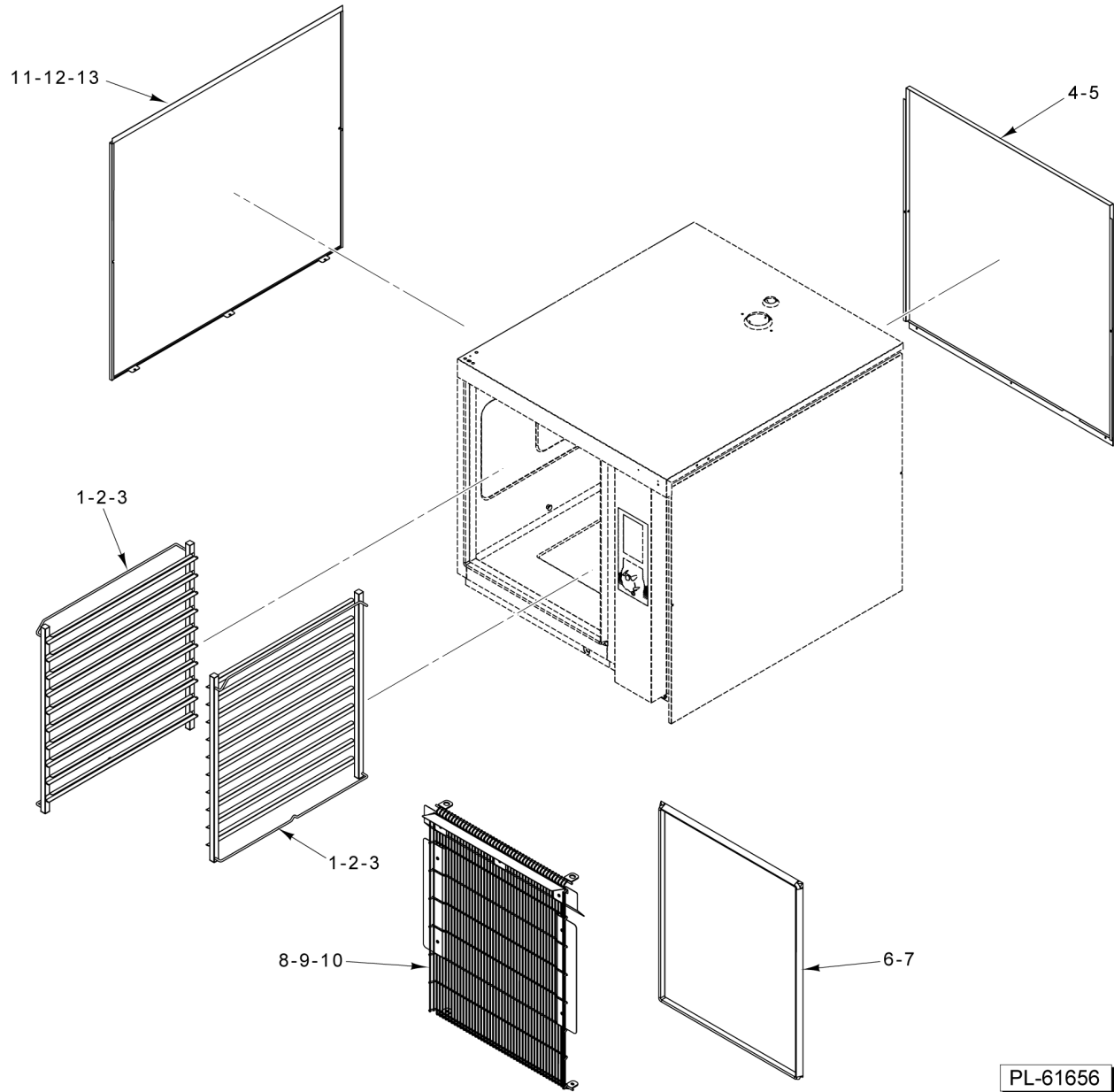


TCM-61E-208/240 (VPJ071E-86)  
TCM-101E-208/240 (VPJ101E-86)  
TCM-102E-208 (VPJ102E-86)  
TCM-102E-240 (VPJ102E-96)  
TCM-102E-480 (VPJ102E-36)



### Table of Contents

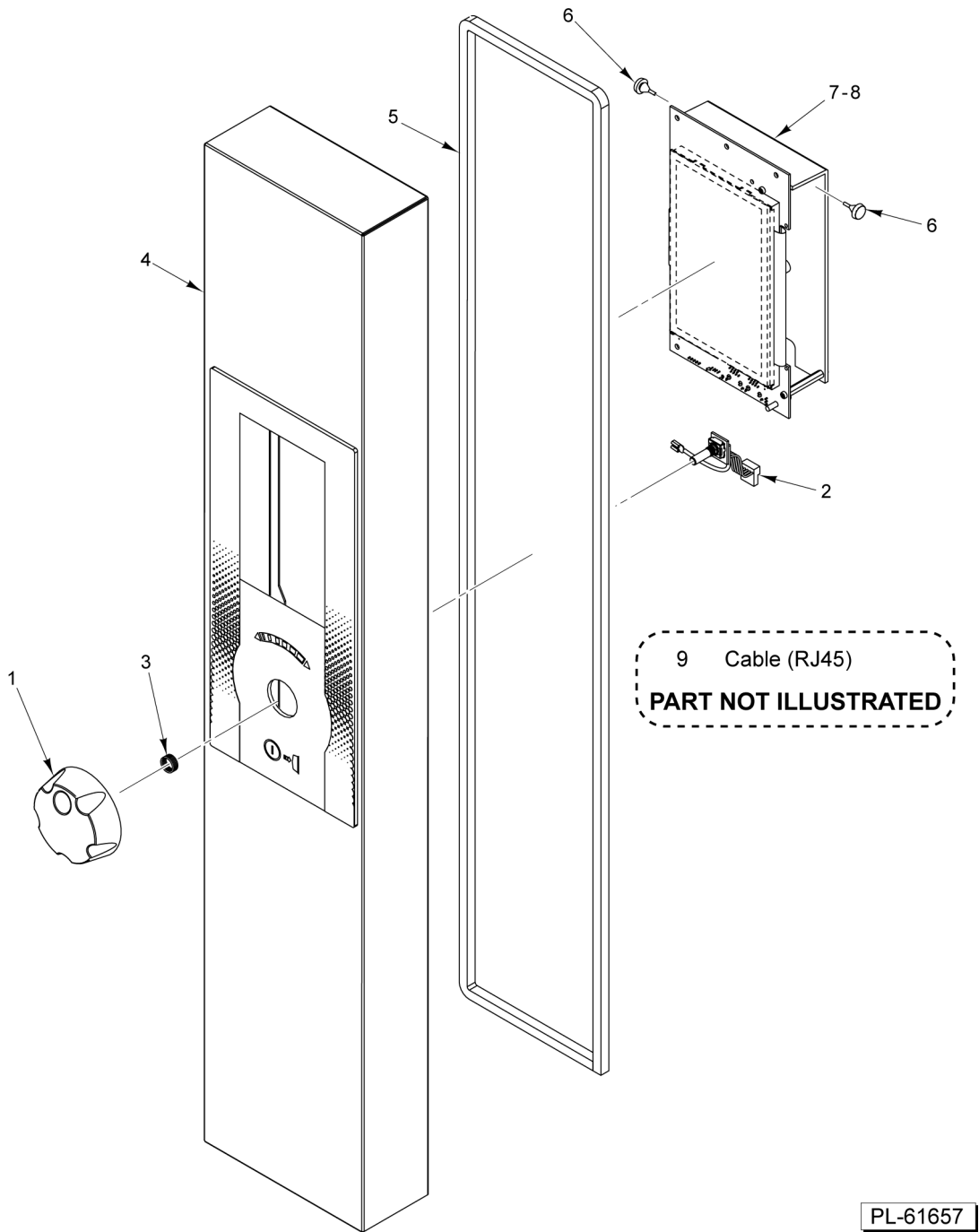
5	PANELS
7	CONTROL PANEL
9	DOOR
11	ELECTRICAL COMPONENTS
13	HEATING ELEMENT AND CONVECTION MOTOR
15	WASH AND DETERGENT PUMP
17	GREASE REMOVAL
19	GREASE REMOVAL ACCESSORIES
21	VENT



**PANELS**

## PANELS

ILLUS. PL-61656	PART NO.	NAME OF PART	AMT.
1	00-978215	Guide - Rack (61E).....	2
2	00-978202	Guide - Rack (101E).....	2
3	00-978003	Guide - Rack (102E).....	2
4	00-978212	Panel - Back (61E).....	1
5	00-978001	Panel - Back (101E/102E).....	1
6	00-978214	Gasket - Door (61E).....	1
7	00-978007	Gasket - Door (101E/102E).....	1
8	00-978210	Plate - Baffle (61E).....	1
9	00-978205	Plate - Baffle (101E).....	1
10	00-978183	Plate - Baffle (102E).....	1
11	00-978213	Panel - Side (61E).....	1
12	00-978204	Panel - Side (101E).....	1
13	00-978002	Panel - Side (102E).....	1



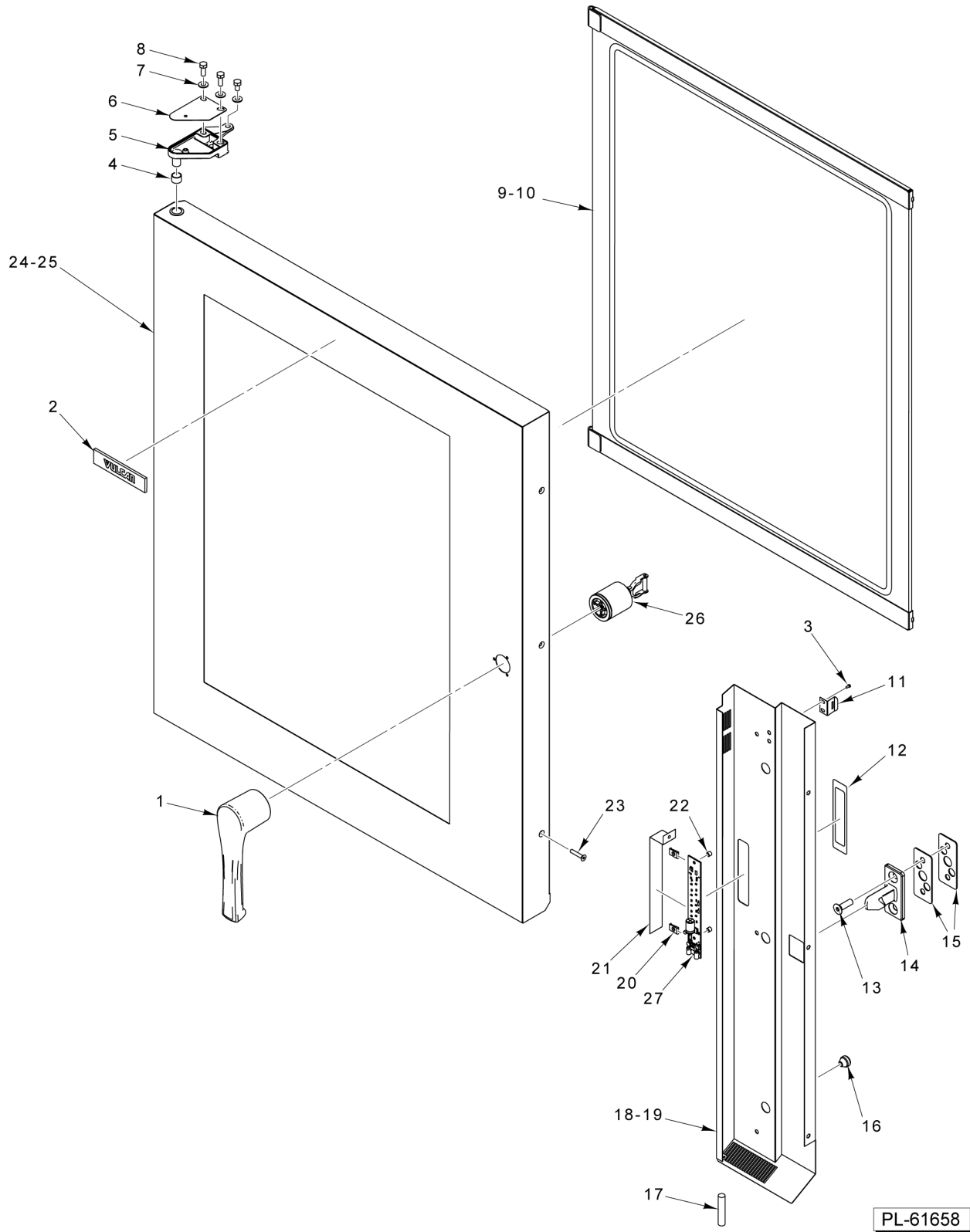
9 Cable (RJ45)  
**PART NOT ILLUSTRATED**

PL-61657

**CONTROL PANEL**

**CONTROL PANEL**

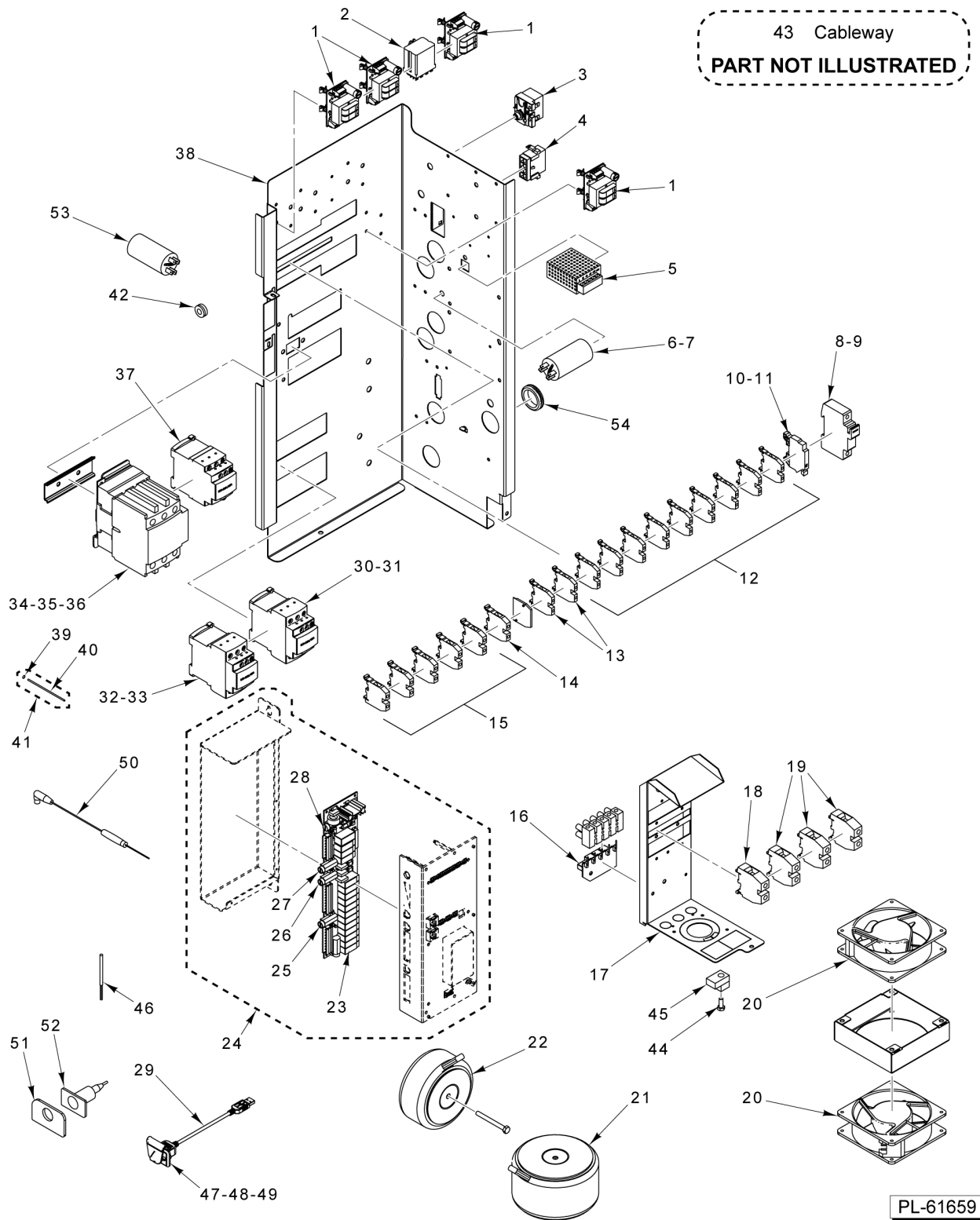
<b>ILLUS.</b>	<b>PART NO.</b>	<b>NAME OF PART</b>	<b>AMT.</b>
PL-61657			
1	00-977206	Knob - Control.....	1
2	00-977027	Encoder.....	1
3	00-977205	Spring.....	1
4	00-978023	Panel - Control.....	1
5	00-978020	Seal.....	1
6	00-977196	Rubber Stop.....	2
7	00-977025	Screen - Touch Pad/Display.....	1
8	00-977334	Speaker.....	1
9	00-977197	Cable (RJ45).....	1



**DOOR**

**DOOR**

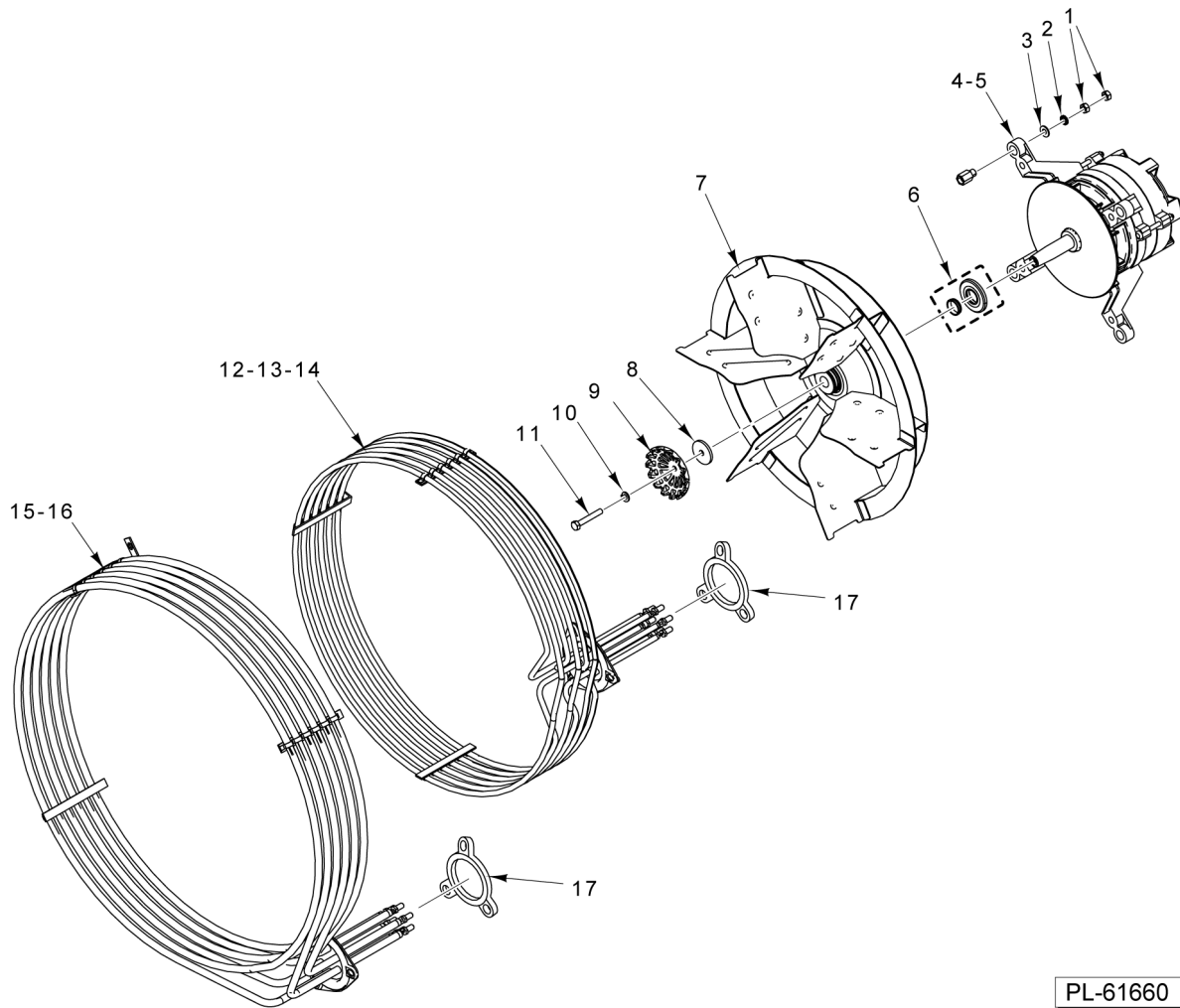
ILLUS. PL-61658	PART NO.	NAME OF PART	AMT.
1	00-978024	Handle - Door.....	1
2	00-978034	Logo - Vulcan.....	1
3	00-977341	Screw M4 x 12 (SST).....	2
4	00-978032	Bearing - Door Hinge (Top).....	1
5	00-978014	Support - Hinge (Top).....	1
6	00-978013	Cover - Door Hinge (Top).....	1
7	00-978012	Washer - Flat M6 (SST).....	3
8	00-978011	Screw M6 x 40 (SST).....	2
9	00-978026	Glass - Door (Inner) (61E).....	1
10	00-978025	Glass - Door (Inner) (101E/102E).....	1
11	00-977222	Catch - Inner Door.....	1
12	00-977221	Label - LED Strip.....	1
13	00-977192	Screw - Countersink M6 x 30.....	2
14	00-978017	Catch - Door.....	1
15	00-977191	Spacer - Door Catch.....	2
16	00-977033	Bumper - Door Stop.....	3
17	00-977210	Magnet - Door Switch.....	1
18	00-978028	Panel - Inner Door (61E).....	1
19	00-978029	Panel - Inner Door (101E/102E).....	1
20	00-977199	Nut - Clip M4.....	2
21	00-977218	LED Strip Protective Film.....	1
22	00-978031	Spacer - Nylon Tube 4.2 x 8 x 5.....	2
23	00-978027	Screw M4 x 10 (SST).....	6
24	00-978211	Panel - Inner Door (61E).....	1
25	00-978028	Panel - Inner Door (101E/102E).....	1
26	00-977342	Latch - Door.....	1
27	00-977026	Light - Led Door.....	1



**ELECTRICAL COMPONENTS**

## ELECTRICAL COMPONENTS

ILLUS. PL-61659	PART NO.	NAME OF PART	AMT.
1	00-977023	Transformer (230/24 V.) (W/ .250 mA-250 V. Fuse).....	2
2	00-978057	Relay - Drain Motor.....	1
3	00-977015	Thermostat - High Limit (W/ Reset).....	1
4	00-977229	Connector - Box.....	1
5	00-977021	LRD Driver (Lights).....	2
6	00-978206	Capacitor 12.5 uf (Convection Motor) (61E/101E).....	1
7	00-978042	Capacitor 20 uf (Convection Motor) (102E).....	1
8	00-978060	Holder - Fuse (Convection Motor).....	1
9	00-977347	Fuse 10A.....	1
10	00-978058	Holder - Fuse (Controls).....	1
11	00-978059	Fuse (4 Amp).....	1
12	00-977237	Block - Terminal.....	9
13	00-977224	Block - Terminal.....	2
14	00-978068	Block - Terminal.....	1
15	00-978067	Block - Terminal.....	4
16	00-977231	CEM Filter.....	1
17	00-978049	Support - Terminal.....	1
18	00-978069	Terminal Block.....	1
19	00-978052	Terminal Block.....	3
20	00-977019	Fan - Cooling.....	2
21	00-978054	Transformer (Motor) (102E).....	1
22	00-978053	Transformer (Control).....	1
23	00-977028	Board - Relay.....	1
24	00-978040	Power Assy. - Fastpad.....	1
25	00-977009	Fuse - Ultra Fast (0.2 Amp) (F4).....	1
26	00-977024	Fuse (3.15 Amp) (F1 & F5).....	1
27	00-977011	Fuse - Slow Blow (1 Amp) (F2).....	1
28	00-978041	Fuse (10 Amp.) (F3).....	1
29	00-978038	Extension - USB.....	1
30	00-977008	Anti-Interference Relay Filter (480 V.) (102E).....	1
31	00-978066	Filter - EMI.....	1
32	00-978065	Contact - KS Element (80 Amp.) (208-240 V.) (50/60 Hz.) (61E/101E).....	1
33	00-978063	Contact - KS Element (50 Amp.) (230/480 V.) (50/60 Hz.) (102E).....	1
34	00-978065	Contact - KS Element (80 Amp.) (208-240 V.) (50/60 Hz.) (61E/101E).....	1
35	00-978062	Contact - KS Element (80 Amp.) (208-240 V.) (102E).....	1
36	00-978063	Contact - KS Element (50 Amp.) (230/480 V.) (50/60 Hz.) (102E).....	1
37	00-978061	Contact - KSM Motor Limiting (25 Amp.) (230 V.) (50/60 Hz.).....	1
38	00-978046	Plate - Support.....	1
39	00-978044	Seal.....	1
40	00-977225	Probe Blocking Spring.....	1
41	00-978043	Kit - Temp. Probe.....	1
42	00-978048	Grommet.....	1
43	00-978047	Cableway.....	1
44	00-978051	Lug - Grounding.....	1
45	00-978050	Screw TH5 x 20 (SST).....	1
46	00-977006	Reed Switch.....	1
47	00-978035	Screw A2 (SST).....	1
48	00-978036	Plate - USB Port Back.....	1
49	00-978037	Seal - USB Cover.....	1
50	00-977092	Temp. - Probe.....	1
51	00-977201	Gasket and Core Probe or USB Socket Plug.....	1
52	00-977203	Neutrik BASE for Temperature Probe.....	1
53	00-978055	Capacitor 6.3 uf (Wash Pump Motor).....	1
54	00-978045	Grommet.....	6



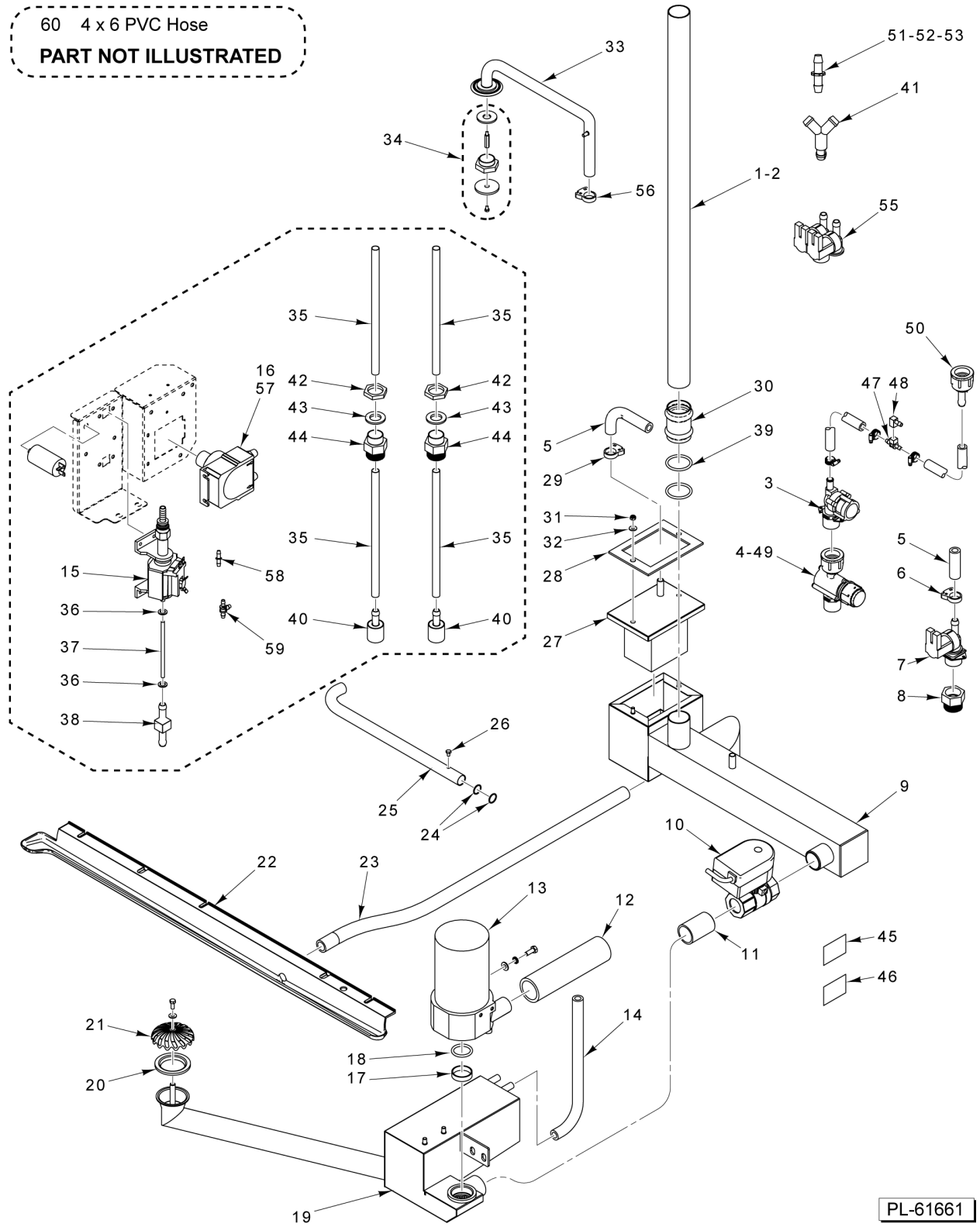
PL-61660

### HEATING ELEMENT AND CONVECTION MOTOR

## HEATING ELEMENT AND CONVECTION MOTOR

ILLUS.	PART NO.	NAME OF PART	AMT.
PL-61660			
1	00-977285	Nut M8.....	8
2	00-977286	Lockwasher (SST).....	4
3	00-977287	Washer M8.....	4
4	00-978115	Kit - Motor Ring & Gasket (61E/101E).....	1
5	00-978113	Kit - Motor Ring & Gasket (102E).....	1
6	00-977003	Drive Shaft Gasket W/Ring.....	1
7	00-978112	Turbine (340 x 105 mm).....	1
8	00-977289	Washer.....	1
9	00-977353	Atomizer.....	1
10	00-977291	Washer (SST).....	1
11	00-978111	Screw 6 x 40 (SST).....	1
12	00-978119	Kit - Heating Element (480 V.) (Inner) (102E).....	1
13	00-978121	Kit - Heating Element (208-240 V.) (Inner) (102E).....	1
14	00-978122	Kit - Heating Element (208 V.) (Inner) (102E).....	1
15	00-978117	Kit - Heating Element (480 V.) (Outer) (102E).....	1
16	00-978118	Kit - Heating Element (208/240 V.) (Outer) (101E/102E).....	1
17	00-977032	Gasket - Heating Element.....	1

60 4 x 6 PVC Hose  
**PART NOT ILLUSTRATED**

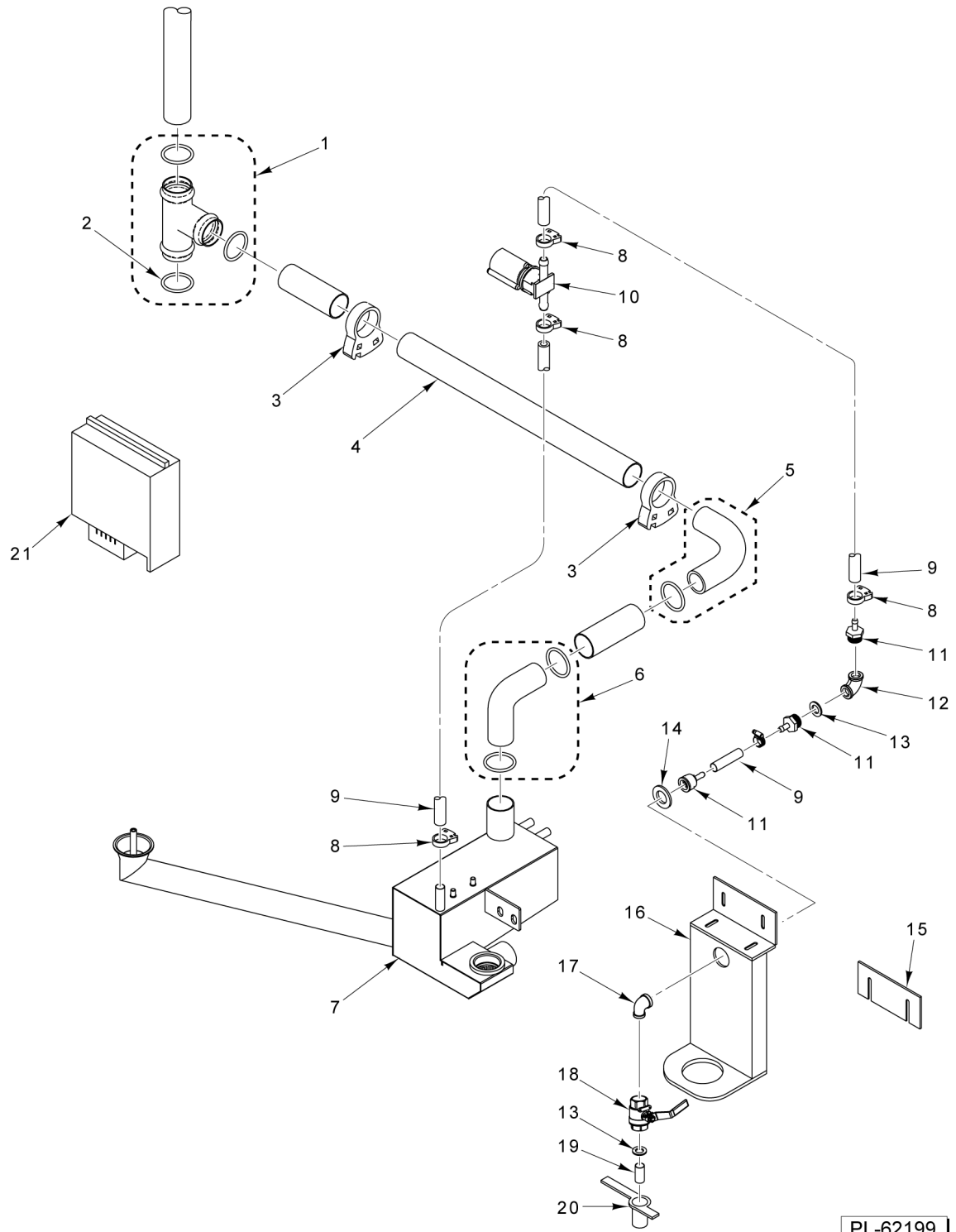


PL-61661

**WASH AND DETERGENT PUMP**

## WASH AND DETERGENT PUMP

ILLUS.	PART NO.	NAME OF PART	AMT.
PL-61661			
1	00-978102	Hose (101E/102E).....	1
2	00-978218	Pipe - Flue Extension (61E).....	1
3	00-977265	Regulator - Pressure.....	1
4	00-977267	Straight Cold Water Arrival Filter M3/4.....	1
5	00-977266	Filter.....	1
6	00-977277	Clamp.....	1
7	00-978109	Valve - Solenoid (One Way UL, 1 x 10L/Min).....	1
8	00-978106	Adapter.....	1
9	00-978097	Box - Drain.....	1
10	00-978084	Valve - Drain.....	1
11	00-978089	Pipe.....	1
12	00-978096	Tube - Drain.....	1
13	00-978083	Pump - Wash.....	1
14	00-977245	Hose.....	1
15	00-977030	Pump - Detergent.....	1
16	00-978103	Pump - Chemical, Delime.....	1
17	00-978094	Ring - Adjusting.....	1
18	00-978095	O-Ring.....	1
19	00-978085	Drain Assy.....	1
20	00-977244	Seal.....	1
21	00-977353	Atomizer - Drain.....	1
22	00-978005	Channel - Drip.....	1
23	00-977263	Tube.....	1
24	00-978071	O-Ring.....	2
25	00-978070	Pipe.....	1
26	00-977300	Screw M4 x 6 (SST).....	1
27	00-978093	Cover Assy.....	1
28	00-978092	Gasket.....	1
29	00-977277	Clamp.....	1
30	00-978086	Sleeve.....	1
31	00-978073	Nut M5 (SST).....	2
32	00-978074	Ring - Tightening.....	1
33	00-978075	Support - Wash Arm.....	1
34	00-978076	Wash System Assy.....	1
35	00-977275	Hose, PVC 4 x 6 (Detergent).....	AR
36	00-977242	Double Diameter Plastic Clamp 9.2 - 10.5.....	1
37	00-977243	Reinforced Hose 5x10 (Detergent).....	AR
38	00-977241	Polypropylen Reduced Coupling 4,8-4 (Detergent).....	AR
39	00-977250	250 Degrees Heat-Resistant Silicone O-Ring.....	1
40	00-977270	Base Weight (Detergent).....	1
41	00-977247	Y-Shaped Coupling (Equal Branches), Diameter 10.....	1
42	00-977274	Nut - Gland.....	1
43	00-977273	Gasket, Flat.....	1
44	00-977272	Plastic Gland.....	1
45	00-978104	Label - Descaling Product.....	1
46	00-978081	Label - Cleaning Product.....	1
47	00-978100	Meter - Flow.....	1
48	00-978101	Beam - Flow Meter.....	1
49	00-977265	Regulator - Pressure.....	1
50	00-977283	Straight Plastic Cover Connector Nut 3/4 x 10.....	1
51	00-978079	Fitting - Straight (Blue).....	1
52	00-978080	Fitting - Straight (Green) (102E).....	1
53	00-978208	Fitting - Straight (Yellow) (101E).....	1
54	00-978217	Fitting - Straight (White) (61E).....	1
55	00-978110	Valve - Solenoid (Two Way UL, 2 x 10L/Min) (Water Injection Solenoid).....	1
56	00-978077	Twin Plate Tightening.....	1
57	00-978105	Kit - Internal Pump Hose.....	1
58	00-978108	Connector - Pipe.....	1
59	00-978107	Tee - Reduction.....	1
60	00-977240	4 x 6 PVC Hose Per Meter.....	AR

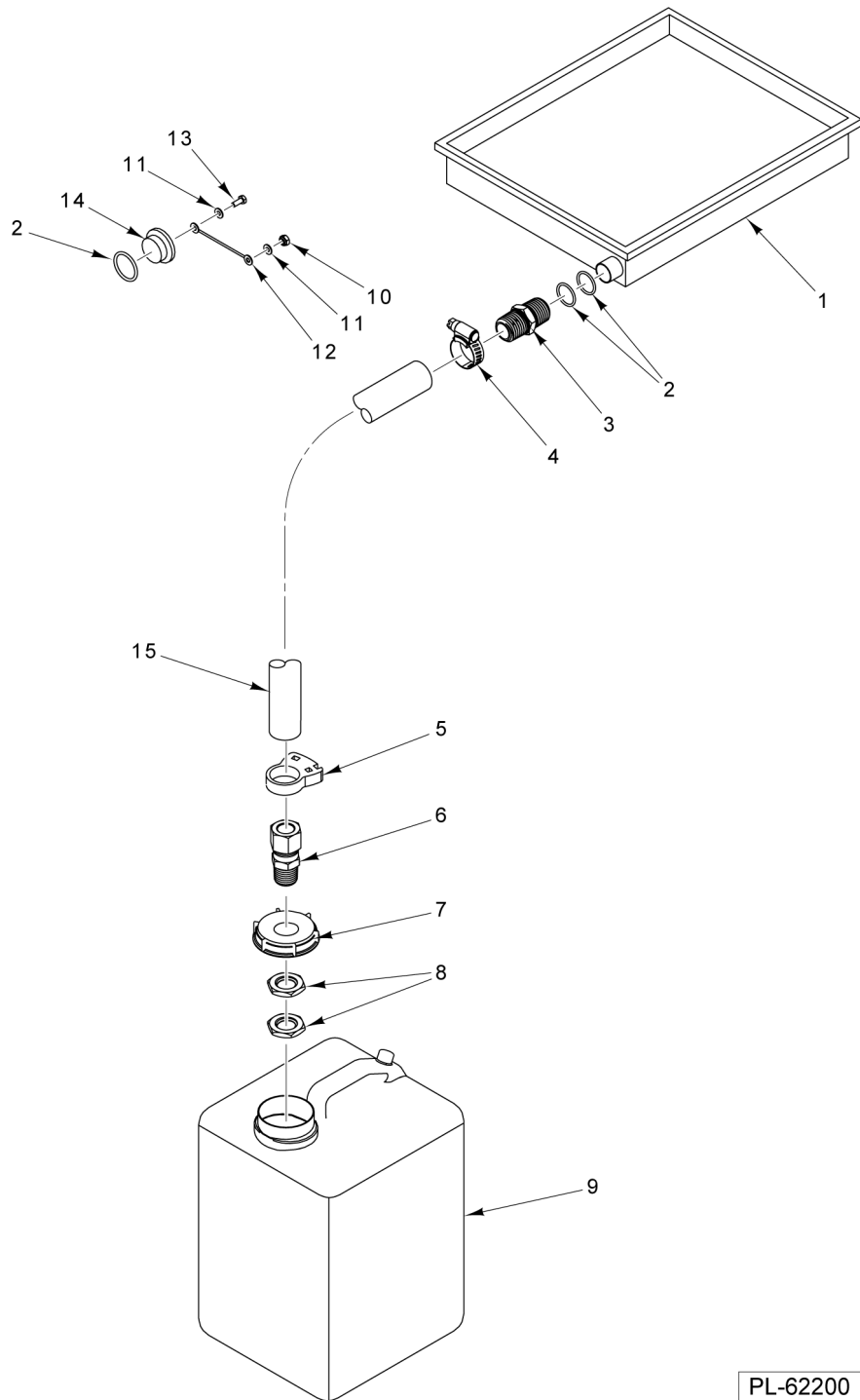


PL-62199

### GREASE REMOVAL

**GREASE REMOVAL**

ILLUS.	PART NO.	NAME OF PART	AMT.
PL-62199			
1	01-556131	Tee Assy. (Incls. O-Rings).....	1
2	00-977296	250 C. Red Silicone O-Ring.....	AR
3	00-978090	Clamp.....	2
4	00-978091	Tube.....	1
5	00-977255	Copper Elbow Sub Assembly with O Ring D35 MF.....	1
6	00-977297	Copper Elbow Sub assembly With O-Ring D35 MF.....	1
7	01-556153	Drain Assy.....	1
8	01-556140	Clamp.....	AR
9	01-556137	Tube.....	1
10	01-556135	Pump - Grease.....	1
11	01-556142	Connector - Hose.....	3
12	01-556139	Elbow.....	1
13	00-965641	Seal.....	2
14	01-556152	Seal.....	1
15	01-553151	Shim.....	4
16	01-556158	Support - Grease Valve.....	1
17	01-556157	Elbow.....	1
18	01-556156	Valve.....	1
19	01-556154	Tube - Threaded.....	1
20	01-556155	Extension - Valve.....	1
21	01-556134	Power Supply (Switching).....	1

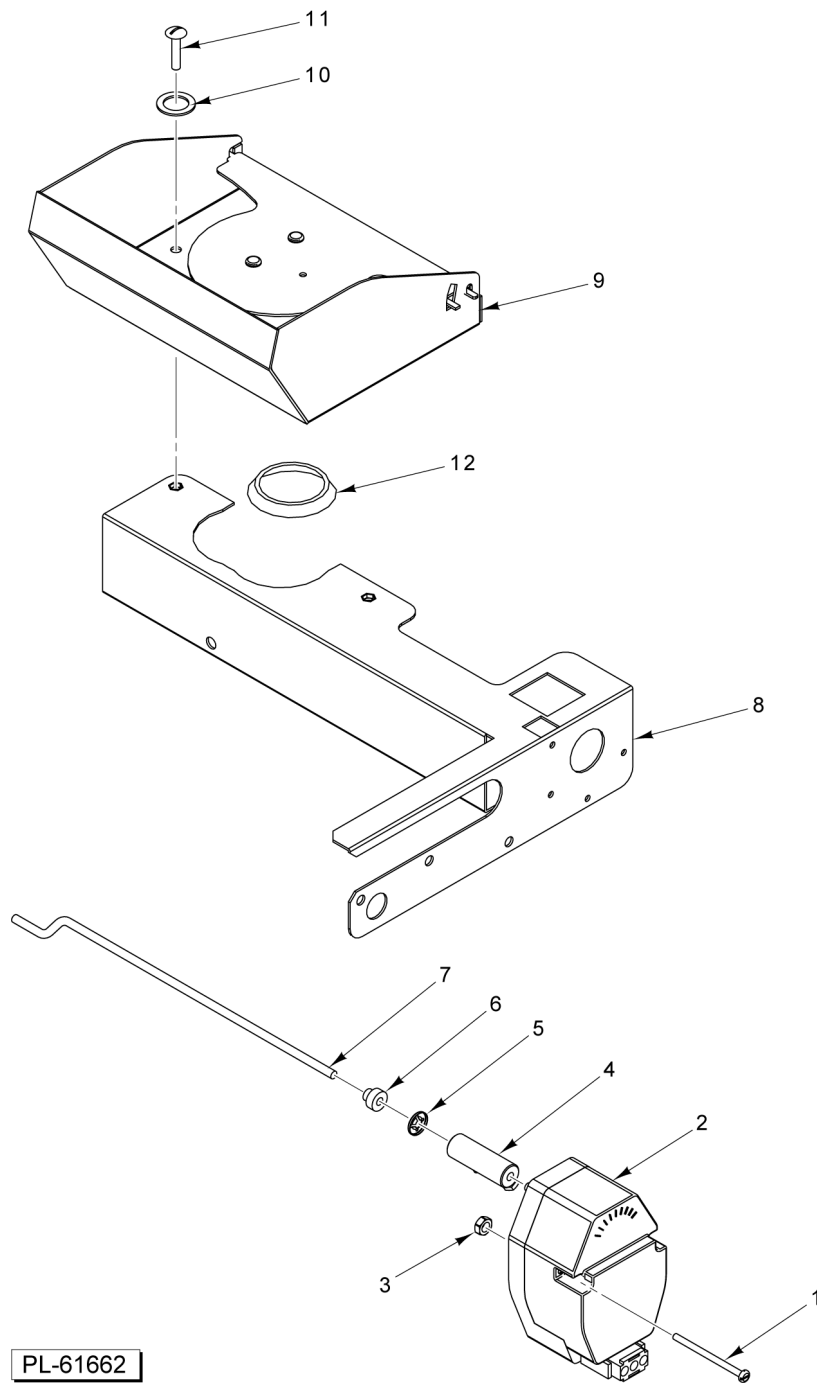


PL-62200

**GREASE REMOVAL ACCESSORIES**

**GREASE REMOVAL ACCESSORIES**

ILLUS.	PART NO.	NAME OF PART	AMT.
PL-62200			
1	01-556133	Tray - Grease Collection.....	1
2	01-556144	Gasket.....	3
3	01-556149	Connector.....	1
4	01-556141	Clamp.....	1
5	00-978077	Twin Plate Tightening.....	1
6	01-556136	Nozzle.....	1
7	01-556145	Cap.....	1
8	01-556138	Nut 3/8.....	2
9	01-556143	Container (20 L).....	1
10	00-977397	Nut M5.....	1
11	01-556147	Washer.....	2
12	01-556146	Clip.....	1
13	01-556148	Screw 5 x 12.....	1
14	01-556150	Plug.....	1
15	00-978096	Tube - Drain.....	1



**VENT**

**VENT**

<b>ILLUS.</b>	<b>PART NO.</b>	<b>NAME OF PART</b>	<b>AMT.</b>
PL-61662			
1	00-977298	Screw (SST).....	2
2	00-977020	Motor - Vent.....	1
3	00-977317	Lock Nut M4.....	2
4	00-977299	Motor / Flue Link.....	1
5	00-977301	Washer.....	1
6	00-977302	Bearing - Connecting Rod.....	1
7	00-978127	Rod - Flue.....	1
8	00-978126	Bracket - Vent.....	1
9	00-978128	Kit - Vent.....	1
10	00-978124	Washer.....	2
11	00-978123	Screw 4 x 16 (SST).....	2
12	00-978125	Seal - Chimney Tube.....	1

