



CATALOG OF REPLACEMENT PARTS



CHEF GAS COMBI OVEN

CHEF - 61G (VICS61G)
CHEF - 62G (VICS62G)
CHEF - 101G (VICS101G)
CHEF - 102G (VICS102G)

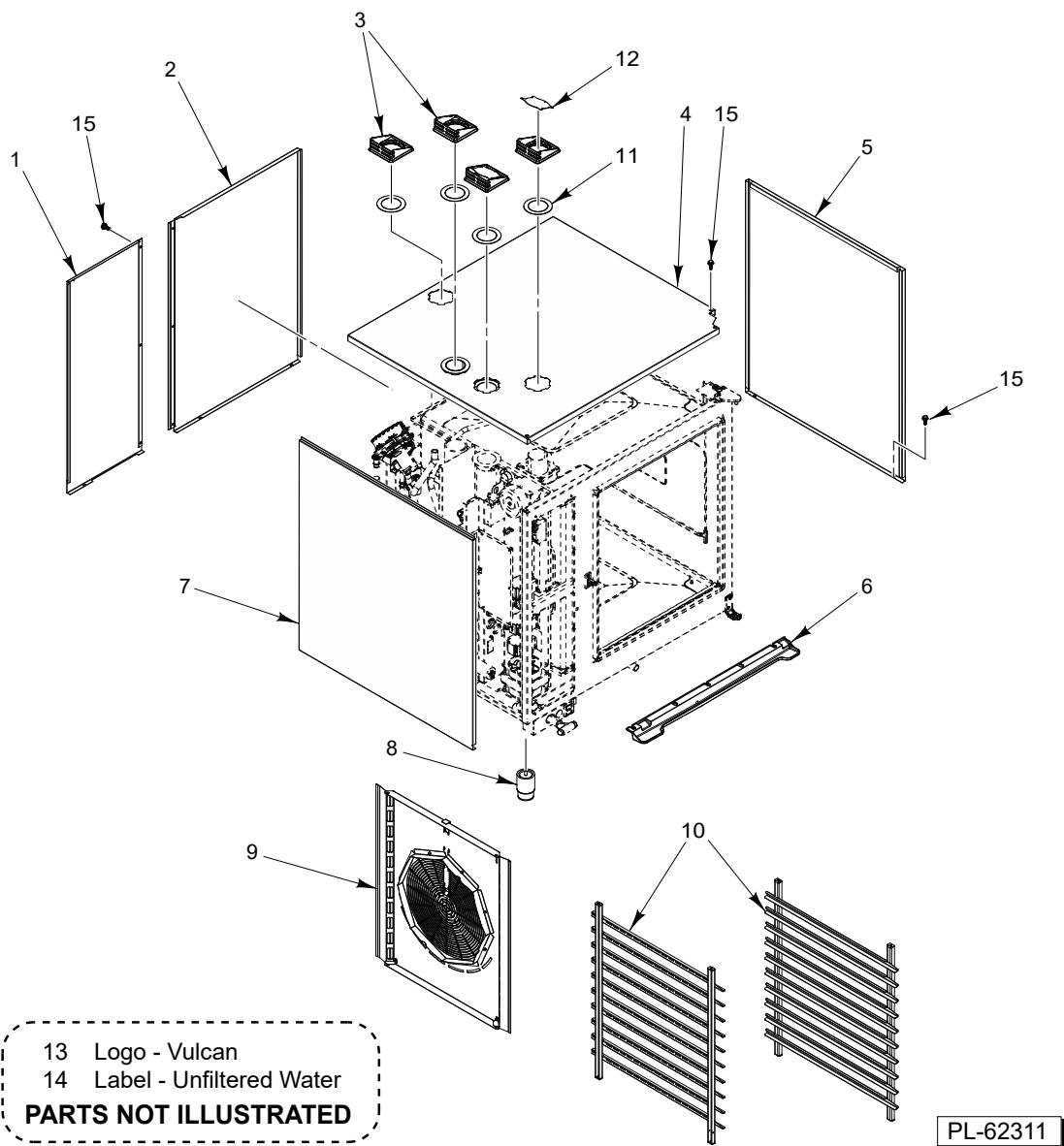
TECHNICAL SERVICE AND PARTS ASSISTANCE - US: 1-800-814-2028 | CANADA: 1-800-444-4764 For additional information on Vulcan or to locate an authorized parts and service provider in your area, visit vulcanequipment.com

VULCAN DIVISION OF ITW FOOD EQUIPMENT GROUP, LLC 3600 NORTH POINT BLVD., BALTIMORE, MD 21222

FORM F43434 Rev. D (April 2026)

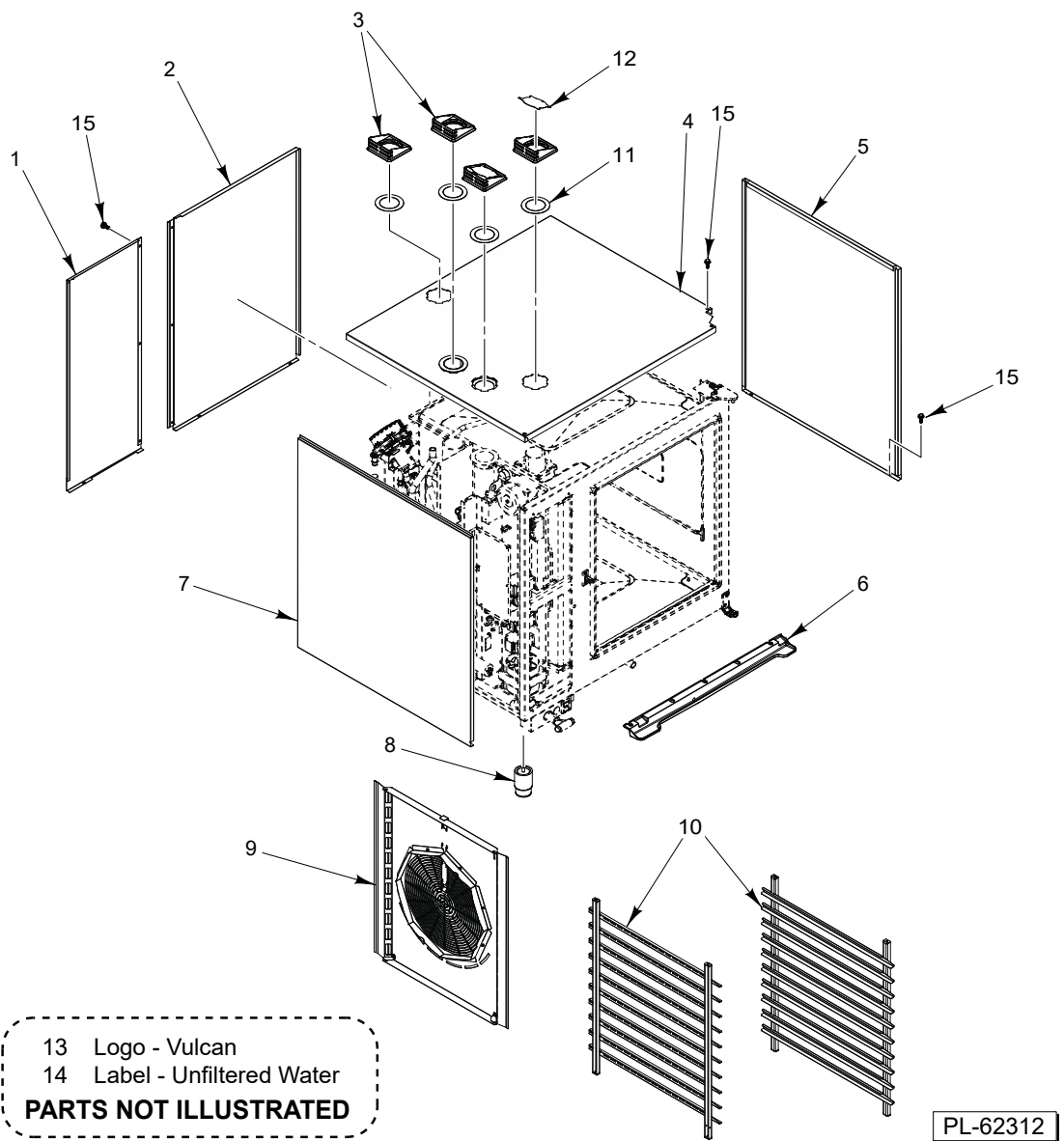
Table of Contents

4	PANELS (61G)
6	PANELS (62G)
8	PANELS (101G)
10	PANELS (102G)
12	CONTROL PANEL
14	DOOR (61/101)
16	DOOR (62/102)
18	ELECTRICAL COMPONENTS
20	CONTACTORS
22	HEAT EXCHANGER
24	STEAM GENERATOR
26	WATER CIRCUIT
28	CHIMNEY ASSEMBLY
30	CONDENSER HOOD
32	GREASE REMOVAL ACCESSORIES
34	AUTOMATIC GREASE REMOVAL



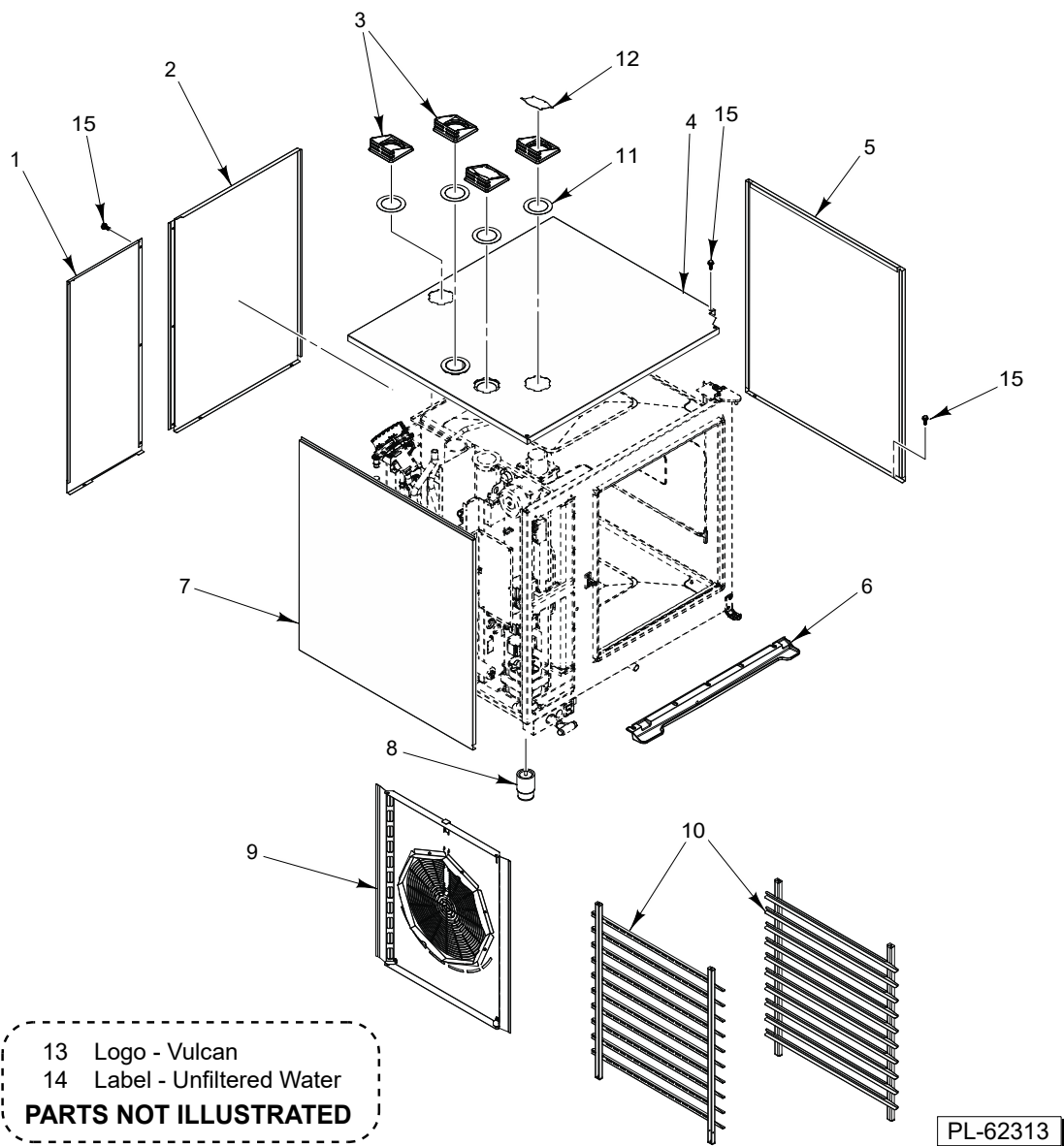
PANELS (61G)

ILLUS.	PART NO.	NAME OF PART	AMT.
PL-38067			
1	00-978590	Panel - Rear (RH)	1
2	00-978594	Panel - Rear (LH)	1
3	00-978314	Chimney W/ Gasket	4
4	00-978565	Panel - Top	1
5	00-978556	Panel - Right	1
6	00-978463	Gutter (61/101)	1
7	00-978560	Panel - Left	1
8	00-978473	Foot	4
9	00-978530	Baffle - Fan	1
10	00-978478	Rack - Guide	2
11	00-978444	O-Ring	4
12	00-978585	Flap - Chimney	4
13	00-978453	Logo - Vulcan	1
14	00-978390	Label - Unfiltered Water	1
15	00-978504	Mach. Screw M5 x 12 Hex Hd.	AR



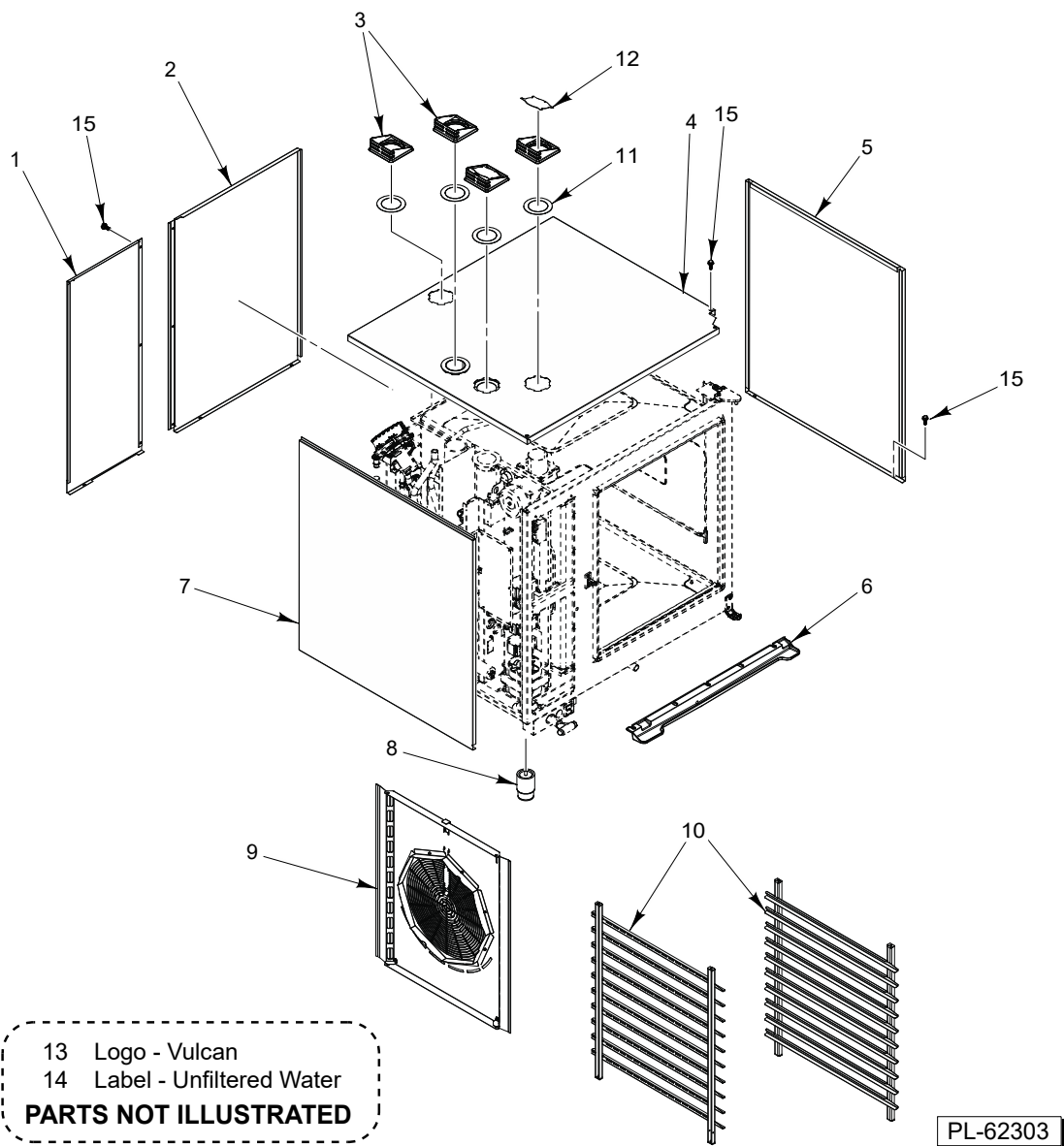
PANELS (62G)

ILLUS.	PART NO.	NAME OF PART	AMT.
PL-38068			
1	00-978590	Panel - Rear (RH)	1
2	00-978591	Panel - Rear (LH)	1
3	00-978314	Chimney W/ Gasket	4
4	00-978567	Panel - Top (RH Door)	1
4	00-978571	Panel - Top (LH Door)	1
5	00-978557	Panel - Right	1
6	00-978461	Gutter (62/102)	1
7	00-978561	Panel - Left	1
8	00-978473	Foot	4
9	00-978531	Baffle - Fan	1
10	00-978479	Rack - Guide	2
11	00-978444	O-Ring	4
12	00-978585	Flap - Chimney	4
13	00-978453	Logo - Vulcan	1
14	00-978390	Label - Unfiltered Water	1
15	00-978504	Mach. Screw M5 x 12 Hex Hd.	AR



PANELS (101G)

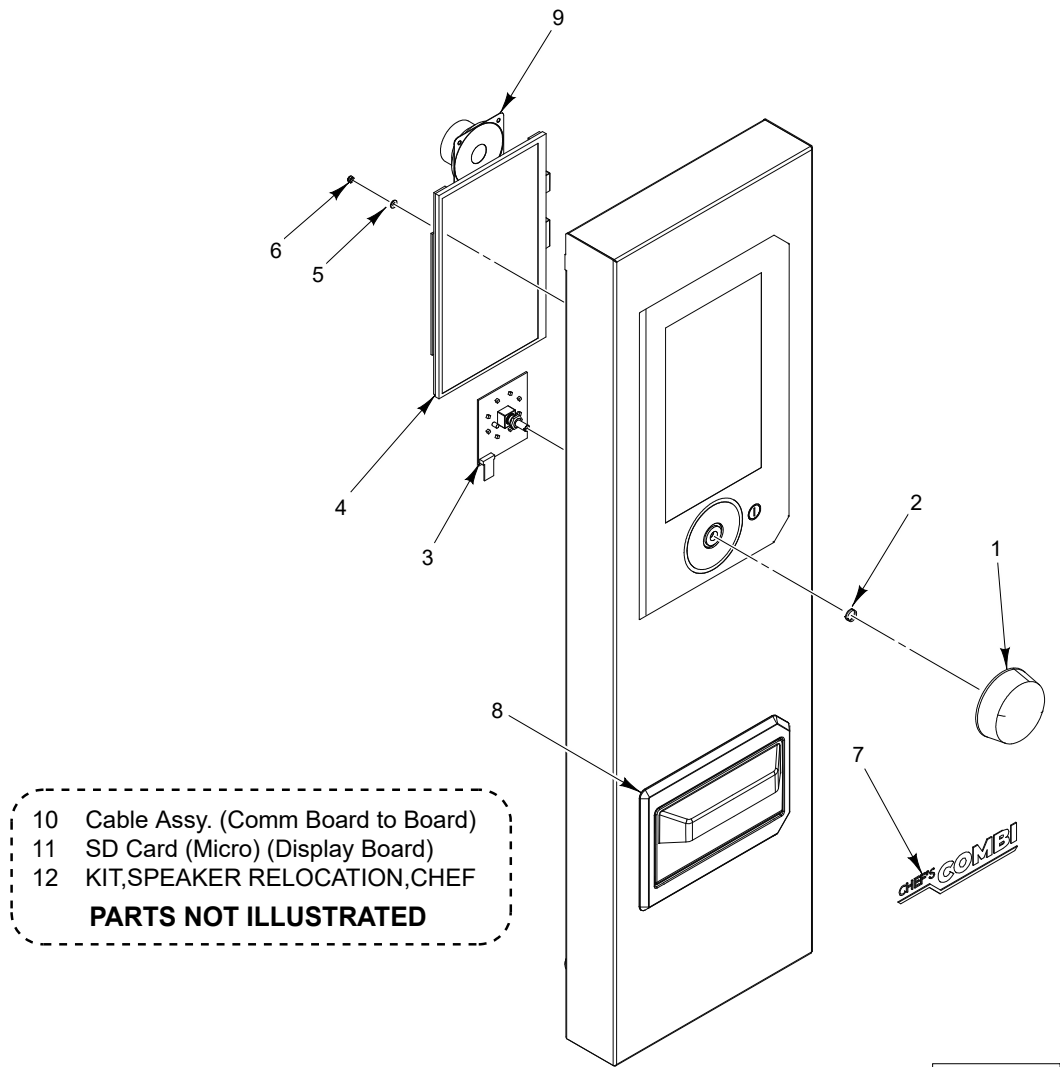
ILLUS.	PART NO.	NAME OF PART	AMT.
PL-38069			
1	00-978595	Panel - Rear (LH)	1
2	00-978592	Panel - Rear (RH)	1
3	00-978314	Chimney W/ Gasket	4
4	00-978565	Panel - Top (RH Door).....	1
4	00-978569	Panel - Top (LH Door)	1
5	00-978558	Panel - Right	1
6	00-978463	Gutter (61/101)	1
7	00-978562	Panel - Left	1
8	00-978473	Foot	4
9	00-978532	Baffle - Fan	1
10	00-978480	Rack - Pan	2
11	00-978444	O-Ring	4
12	00-978585	Flap - Chimney	4
13	00-978453	Logo - Vulcan	1
14	00-978390	Label - Unfiltered Water	1
15	00-978504	Mach. Screw M5 x 12 Hex Hd.	AR



PANELS (102G)

PANELS (102G)

ILLUS.	PART NO.	NAME OF PART	AMT.
PL-38014			
1	00-978595	Panel - Rear (LH)	1
2	00-978593	Panel - Rear (RH)	1
3	00-978314	Chimney W/ Gasket	4
4	00-978567	Panel - Top (RH Door)	1
4	00-978571	Panel - Top (LH Door)	1
5	00-978559	Panel - Right	1
6	00-978461	Gutter (62/102)	1
7	00-978563	Panel - Left	1
8	00-978473	Foot	4
9	00-978533	Baffle - Fan	1
10	00-978481	Rack - Pan	2
11	00-978444	O-Ring	4
12	00-978585	Flap - Chimney	4
13	00-978453	Logo - Vulcan	1
14	00-978390	Label - Unfiltered Water	1
15	00-978504	Mach. Screw M5 x 12 Hex Hd.	AR



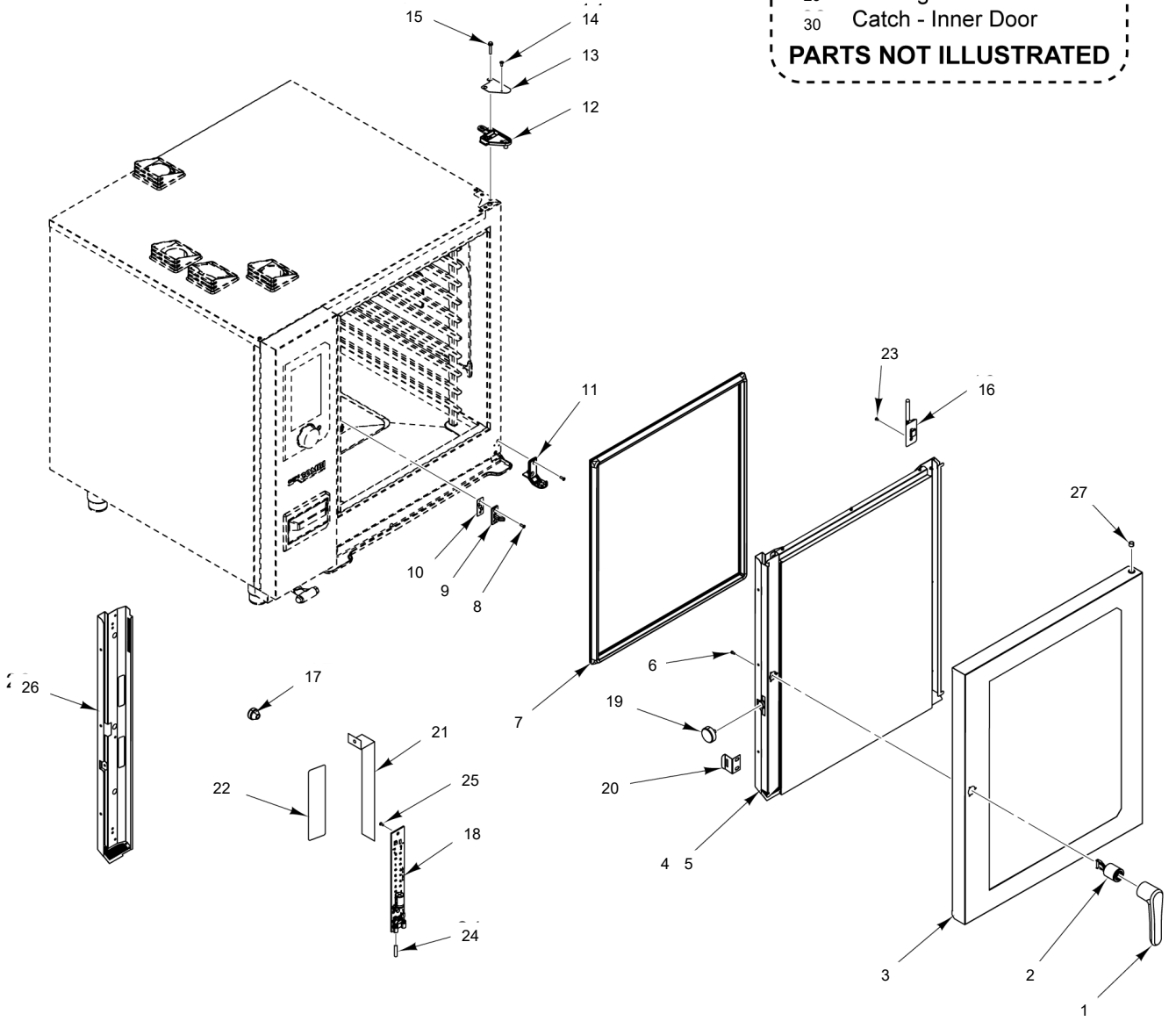
CONTROL PANEL

PL-62304

CONTROL PANEL

ILLUS.	PART NO.	NAME OF PART	AMT.
PL-38017			
1	00-978460	Knob	1
2	00-978476	Spring	1
3	00-978376	Encoder	1
4	00-978375	Touch Screen	1
5	00-978489	Washer M3 (SST)	4
6	00-977193	Stainless Steel Nylstop M3 Lock Nut	4
7	00-978389	Logo - Chef's Combi	1
8	00-978462	Door - Descale	1
9	00-977334	Speaker	1
10	00-978382	Cable Assy. (Comm Board to Board)	1
11	00-978384	SD Card (Micro) (Display Board)	1
12	01-556582	KIT,SPEAKER RELOCATION,CHEF	1

- 28 Cable
 - 29 Bearing
 - 30 Catch - Inner Door
- PARTS NOT ILLUSTRATED**



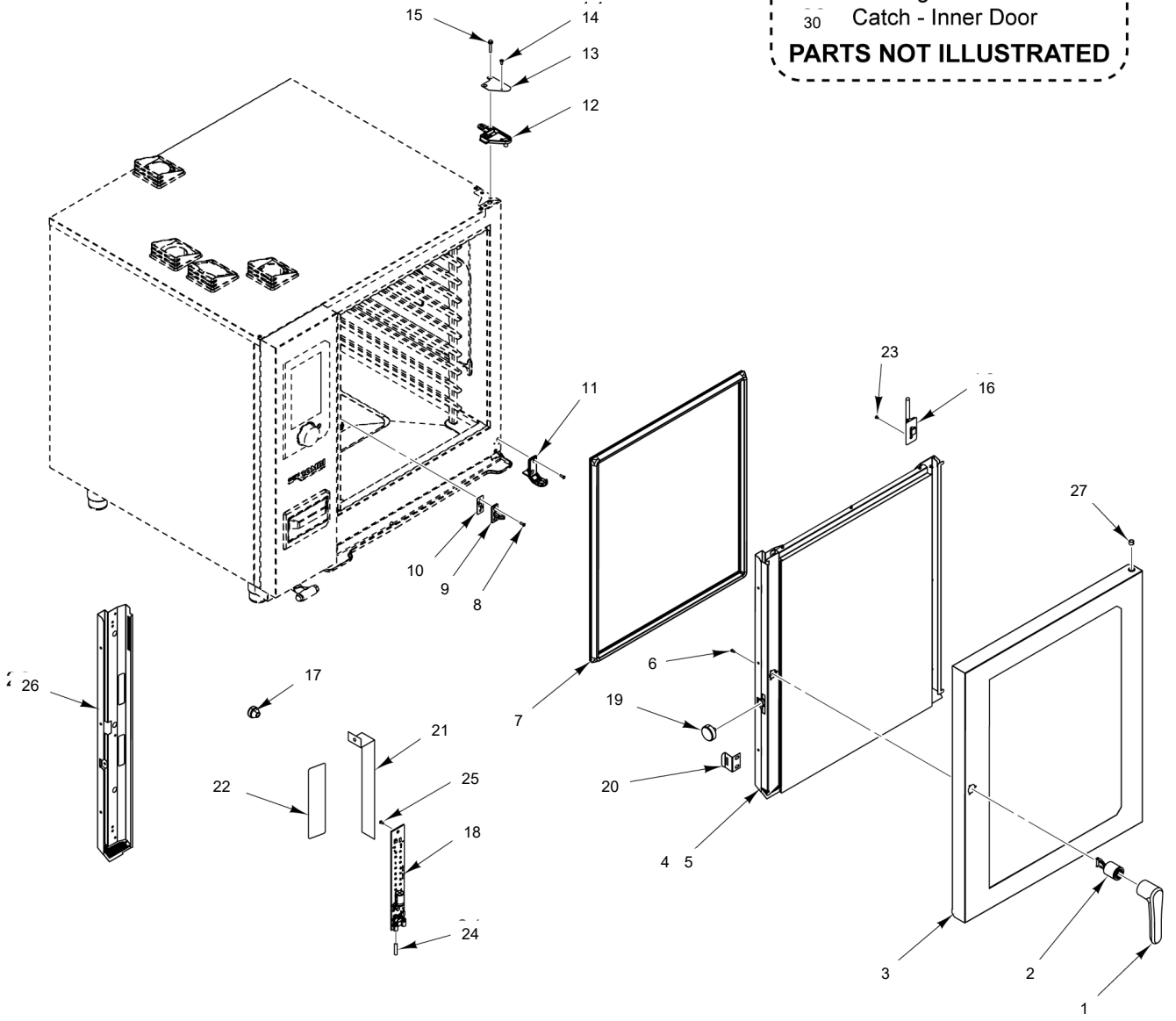
PL-62314

DOOR (61/101)

DOOR (61/101)

ILLUS.	PART NO.	NAME OF PART	AMT.
PL-38070			
1	00-978459	Handle - Door	1
2	00-977034	Latch - Door	1
3	00-978278	Door Assy. (61 RH)	1
3	00-978282	Door Assy. (61 LH)	1
3	00-978280	Door Assy. (101 RH)	1
3	00-978284	Door Assy. (101 LH)	1
4	00-978286	Inner Pane Assy. (61)	1
5	00-978288	Inner Pane Assy. (101)	1
6	00-977214	A2 Stainless Screw TCHC M4 x 10 ISO 4762	3
7	00-978432	Seal - Door (61)	1
7	00-978434	Seal - Door (101)	1
8	00-978507	Screw 6 x 20	0
9	00-977035	Catch - Door	1
10	00-978447	Spacer	0
11	00-978456	Hinge - Bottom (RH Door)	1
11	00-978457	Hinge - Bottom (LH Door)	1
12	00-978458	Hinge - Door	1
13	00-978581	Cover - Hinge	1
14	00-978506	Screw M3 x 5	1
15	00-978505	Screw M6 x 35	3
16	00-978454	Hinge - Glass	1
17	00-977033	Bumper - Door Stop	2
18	00-978379	Light - LED (24VDC, 4000K)	1
19	00-978474	Magnet - Door	1
20	00-978477	Catch - Door	2
21	00-977218	LED Strip Protective Film	2
22	00-977221	Label - LED Strip	2
23	00-978027	Screw M4 x 10 A2 Countersunk PZ DIN 965 (SST)	1
24	00-978363	Sheath - High Temp. (7 mm)	0
25	00-978033	Screw M4 x 12 mm Cross Hd. A2 TCBL (SST)	0
26	00-978582	Bracket - Stiffener (61/62 RH Door)	1
26	00-978583	Bracket - Stiffener (101/102 RH Door)	1
26	00-978587	Bracket - Stiffener (61/62 LH Door)	1
26	00-978588	Bracket - Stiffener (101/102 LH Door)	1
27	00-978032	Ring 12/14 x 10 In. (Bronze)	1
28	00-978030	Cable (Siliflon)	1
29	00-977343	Bearing	4
30	00-977222	Plate - Inner Door Catch	1

- 28 Cable
 - 29 Bearing
 - 30 Catch - Inner Door
- PARTS NOT ILLUSTRATED**



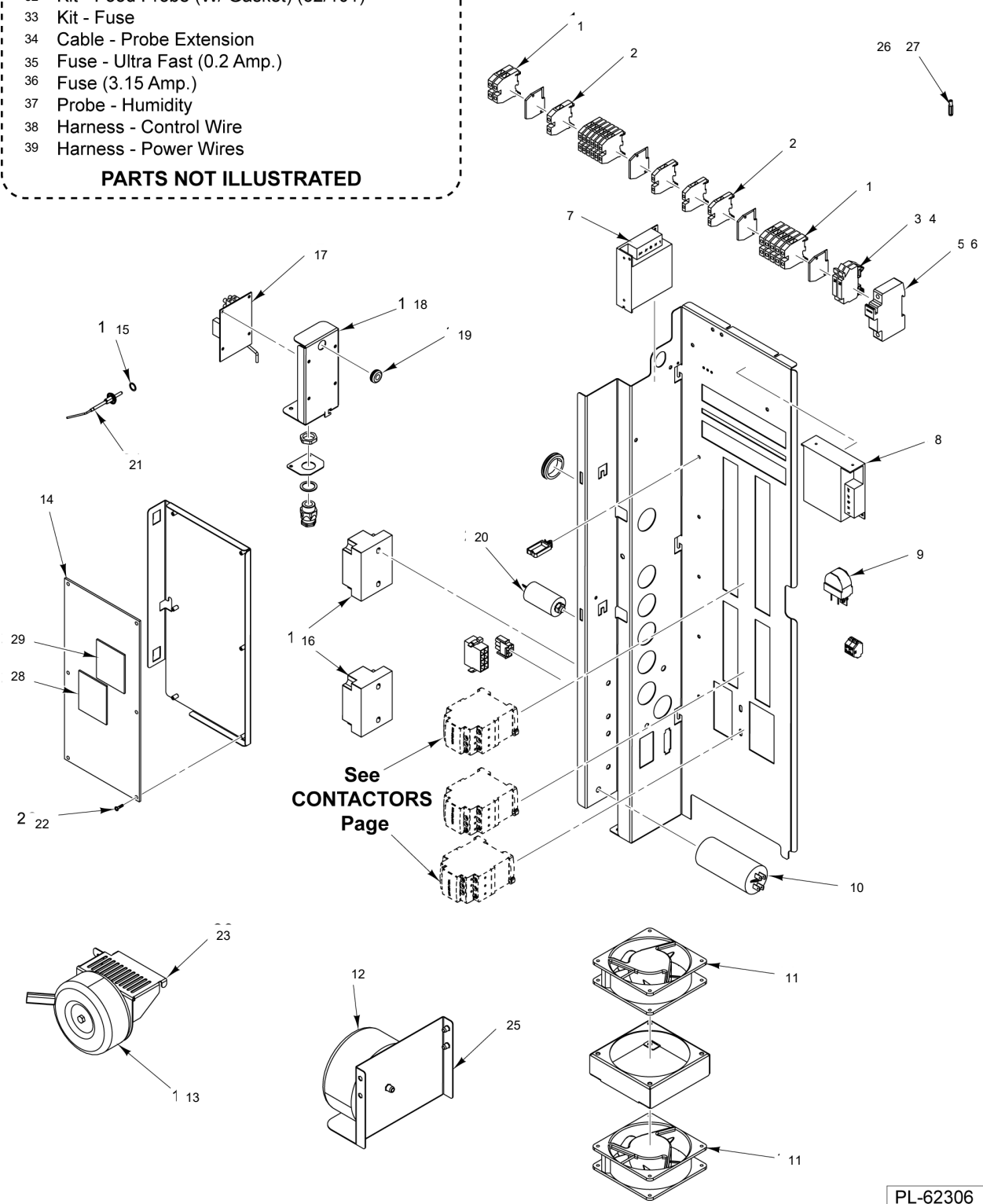
PL-62314

DOOR (62/102)

DOOR (62/102)

ILLUS.	PART NO.	NAME OF PART	AMT.
PL-38070			
1	00-978459	Handle - Door	1
2	00-977034	Latch - Door	1
3	00-978279	Door Assy. (62 RH)	1
3	00-978283	Door Assy. (62 LH)	1
3	00-978281	Door Assy. (102 RH)	1
3	00-978285	Door Assy. (102 LH)	1
4	00-978287	Inner Pane Assy. (62)	1
5	00-978289	Inner Pane Assy. (102)	1
6	00-977214	A2 Stainless Screw TCHC M4 x 10 ISO 4762	3
7	00-978433	Seal - Door (62)	1
7	00-978435	Seal - Door (102)	1
8	00-978507	Screw 6 x 20	0
9	00-977035	Catch - Door	1
10	00-978447	Spacer	0
11	00-978456	Hinge - Bottom (RH Door)	1
11	00-978457	Hinge - Bottom (LH Door)	1
12	00-978458	Hinge - Door	1
13	00-978581	Cover - Hinge	1
14	00-978506	Screw M3 x 5	1
15	00-978505	Screw M6 x 35	3
16	00-978454	Hinge - Glass	1
17	00-977033	Bumper - Door Stop	2
18	00-978379	Light - LED (24VDC, 4000K)	1
19	00-978474	Magnet - Door	1
20	00-978477	Catch - Door	2
21	00-977218	LED Strip Protective Film	2
22	00-977221	Label - LED Strip	2
23	00-978027	Screw M4 x 10 A2 Countersunk PZ DIN 965 (SST)	1
24	00-978363	Sheath - High Temp. (7 mm)	0
25	00-978033	Screw M4 x 12 mm Cross Hd. A2 TCBL (SST)	0
26	00-978582	Bracket - Stiffener (61/62 RH Door)	0
26	00-978583	Bracket - Stiffener (101/102 RH Door)	0
26	00-978587	Bracket - Stiffener (61/62 LH Door)	0
26	00-978588	Bracket - Stiffener (101/102 LH Door)	0
27	00-978032	Ring 12/14 x 10 In. (Bronze)	1
28	00-978030	Cable (Siliflon)	1
29	00-977343	Bearing	4
30	00-977222	Plate - Inner Door Catch	1

- 30 Kit - Food Probe (W/ Gasket) (61)
 - 31 Kit - Food Probe (W/ Gasket) (102)
 - 32 Kit - Food Probe (W/ Gasket) (62/101)
 - 33 Kit - Fuse
 - 34 Cable - Probe Extension
 - 35 Fuse - Ultra Fast (0.2 Amp.)
 - 36 Fuse (3.15 Amp.)
 - 37 Probe - Humidity
 - 38 Harness - Control Wire
 - 39 Harness - Power Wires
- PARTS NOT ILLUSTRATED**



PL-62306

ELECTRICAL COMPONENTS

ELECTRICAL COMPONENTS

ILLUS.	PART NO.	NAME OF PART	AMT.
PL-38048			
1	00-978067	Block - Terminal	2
2	00-978068	Block - Terminal	1
3	00-978058	Holder - Fuse	1
4	00-978059	Fuse (4 Amp)	2
5	00-977346	Holder - Fuse	1
6	00-977014	Fuse (10 Amp)	1
7	01-556134	Power Supply (Switching)	1
8	00-978370	Switch - Power Supply	1
9	00-978383	Switch	1
10	00-977018	Capacitor (12.5 uF) (Motor) (61/101)	1
10	00-978354	Capacitor (20 uF) (Motor) (62/102)	1
11	00-978358	Fan - Cooling	2
12	00-978510	Transformer (828VA) (62/102)	1
13	00-978511	Transformer (415VA)	1
14	00-978380	Kit - Board Automate W/ Humidity	1
14	00-978381	Kit - Board Automate W/ Humidity / Gas Control	1
15	00-977250	O-Ring - Probe	1
16	00-978136	Ignition - Gas	2
17	00-978132	Electric Filter - Board	1
18	00-978573	Bracket - Filter	1
19	00-978048	Grommet	1
20	00-978055	Capacitor 6.3 uf (Wash Pump Motor)	1
21	00-978311	Sensor - Temp (Cavity)	1
22	00-978503	Screw M5 x 16	6
23	00-978577	Bracket - Transformer Support	1
25	00-978576	Bracket - Transformer Support	1
26	00-978340	Switch - Door	0
27	00-978339	Switch - Door	0
28	00-978377	Board - Gas Control	1
29	00-978378	Board - Humidity	1
30	00-978270	Kit - Food Probe (W/ Gasket) (61)	1
31	00-978271	Kit - Food Probe (W/ Gasket) (102)	1
32	00-978272	Kit - Food Probe (W/ Gasket) (62/101)	1
33	01-556309	Kit - Fuse	0
34	01-556351	Cable - Probe Extension	0
35	00-977009	Fuse - Ultra Fast (0.2 Amp)	1
36	00-977024	Fuse (3.15 Amp)	5
37	00-978342	Probe - Humidity	1
38	01-556321	Harness - Control Wire	1
39	01-556317	Harness - Power Wires	1

		208/240							
		61		62		101		102	
Electrical Designation	Usage	Part #	QTY	Part #	QTY	Part #	QTY	Part #	QTY
K ² J	Steam Generator	00-978061	1	00-978061	1	00-978061	1	00-978061	1
K ¹	Burner	00-978061	1	00-978061	1	00-978061	1	00-978061	1
K ³	Power	00-978061	1	00-978061	1	00-978061	1	00-978061	1

4

PL-62457

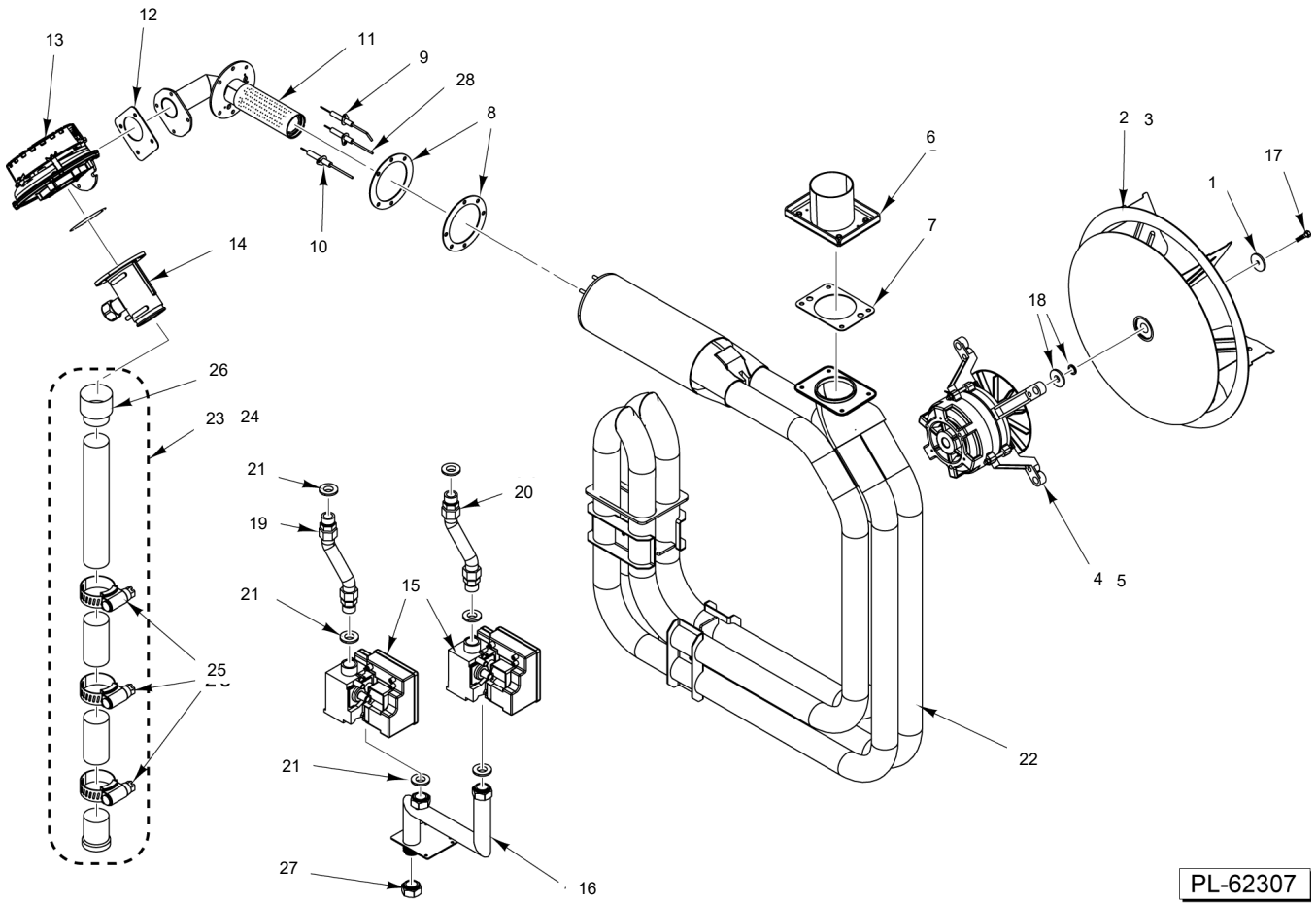
CONTACTORS

CONTACTORS

ILLUS.	PART NO.	NAME OF PART	AMT.
PL-38809			
1	00-978061	Contactora (25 Amp.) (Burner) (KBR).....	0
2	00-978061	Contactora (25 Amp.) (Steam Burner) (KBG).....	0
3	00-978061	Contactora (25 Amp.) (Power) (KP).....	0
*4	00-977008	Anti-Interference Relay Filter	0

* Order With Contactor

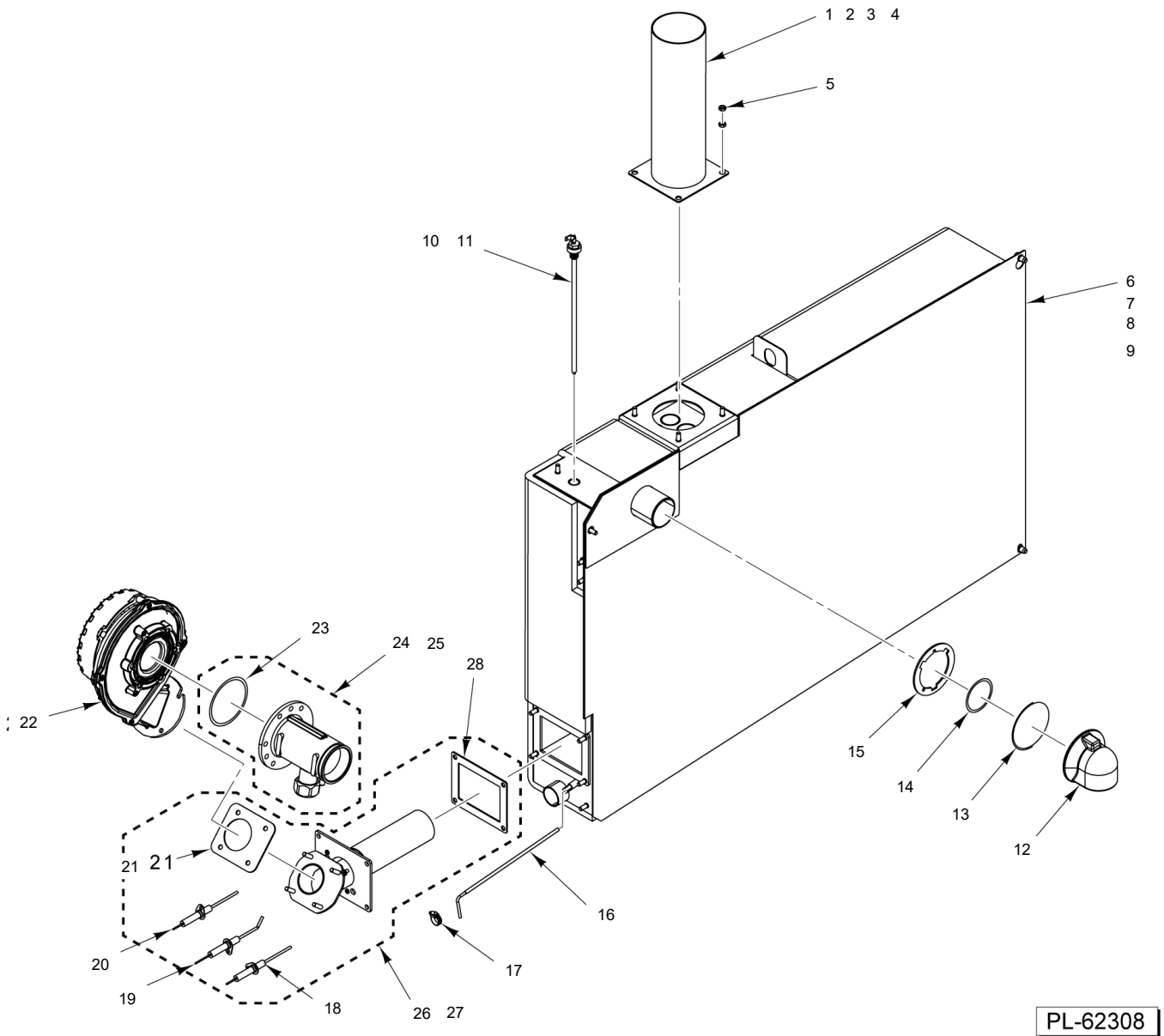
29 Orifice
PART NOT ILLUSTRATED



HEAT EXCHANGER

HEAT EXCHANGER

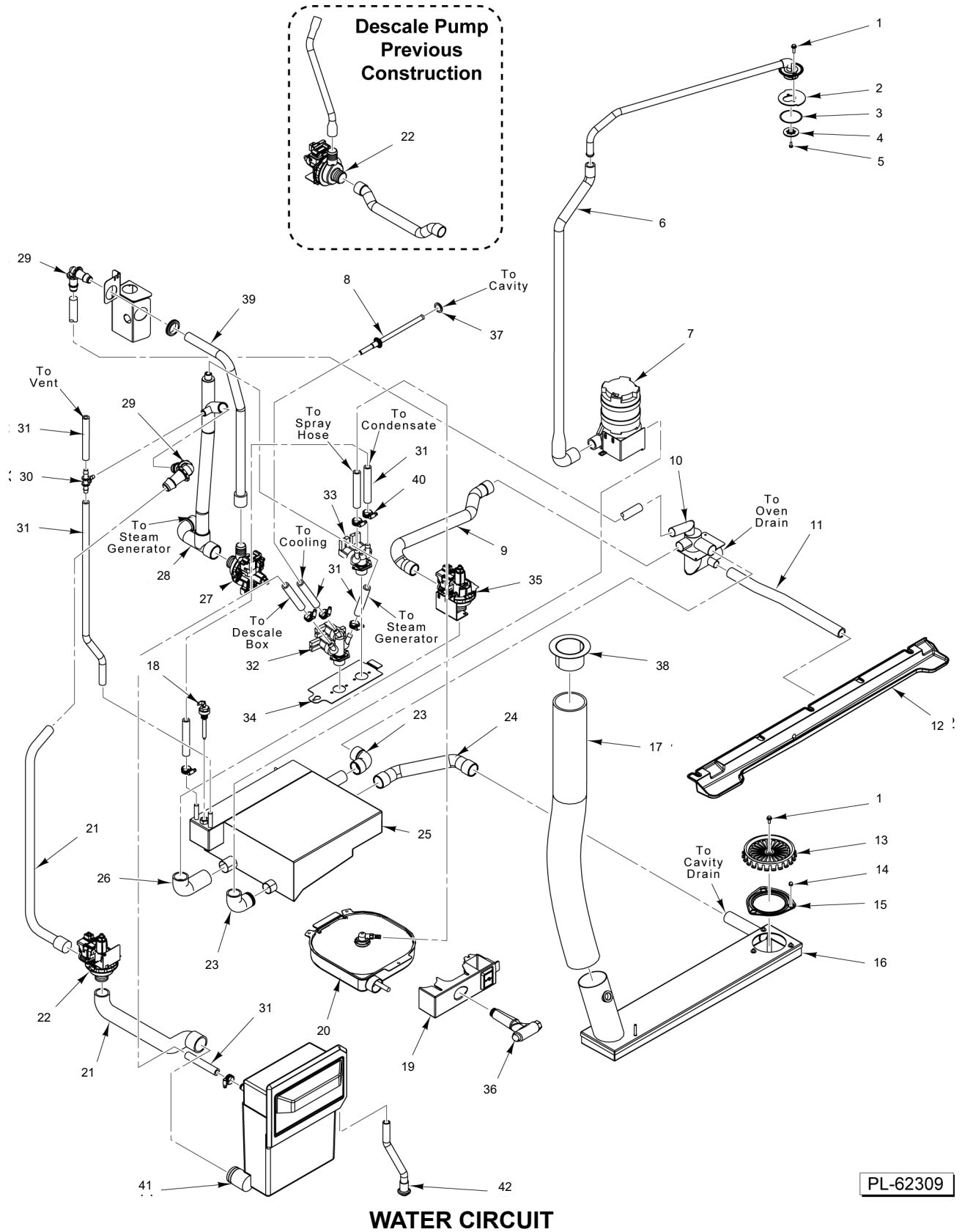
ILLUS.	PART NO.	NAME OF PART	AMT.
PL-38059			
1	00-977289	Washer	1
2	00-978355	Fan - Wheel (61).....	1
2	00-978356	Fan - Wheel (101).....	1
3	00-978357	Fan - Wheel (62).....	1
3	01-556310	Fan - Wheel (102).....	1
4	00-978115	Kit - Motor Service (Incls. Hardware) (61/101)	1
5	00-978313	Kit - Motor Service (Incls. Hardware) (62/102)	1
6	00-978523	Chimney - Heat Exchanger	1
7	00-978139	Seal - Outer	1
8	00-978430	Gasket - Heat Exchanger	1
9	00-978275	Electrode Assy. - Ignition, Arched	1
10	00-978277	Electrode Assy. - Ignition, Straight, Flame Det.	1
11	00-978316	Burner Assy. (61/101)	1
11	00-978317	Burner Assy. (62/102).....	1
12	00-978152	Gasket - Fan	1
13	00-978325	Kit - Gas Fan (Incls. Gasket)	1
13	00-978153	Reducer (Included in Kit).....	1
14	00-978324	Kit - Venturi (Incls. Gasket)	1
15	00-978145	Module - Ignition	2
15	00-978315	Kit - Gas Valve (848 Sigma) (60 Hz.)	2
16	00-978524	Manifold	1
17	00-978490	Screw TH 6 x 25 (SST)	1
18	00-977003	Seal - Drive Shaft Gasket W/ Wear Ring	1
19	00-978406	Tube (Gas Valve to Combustion) (Generator)	1
19	00-978407	Tube (Gas Valve to Combustion) (Cavity) (101/102).....	1
20	00-978408	Tube (Gas Valve to Combustion) (Cavity) (101/102).....	1
21	00-978146	Gasket	0
22	00-978320	Kit - Heat Exchanger (Incls. Gaskets) (61G) (Incls. Items 7 & 8).....	1
22	00-978321	Kit - Heat Exchanger (Incls. Gaskets) (62G) (Incls. Items 7 & 8).....	1
22	00-978322	Kit - Heat Exchanger (Incls. Gaskets) (101G) (Incls. Items 7 & 8).....	1
22	00-978323	Kit - Heat Exchanger (Incls. Gaskets) (102G) (Incls. Items 7 & 8).....	1
23	00-978549	Duct - Air Supply (61/101G).....	1
24	00-978550	Duct - Air Supply (62/102G)	1
25	00-978417	Clamp - Hose	0
26	00-978148	Adapter - Venturi	1
27	00-978144	Fitting - Gas Connector Adaptor	1
28	00-978276	Electrode Assy. - Ignition, Straight Gnd.	1
29	00-978165	Propane Orifice and Gasket #580	1



STEAM GENERATOR

STEAM GENERATOR

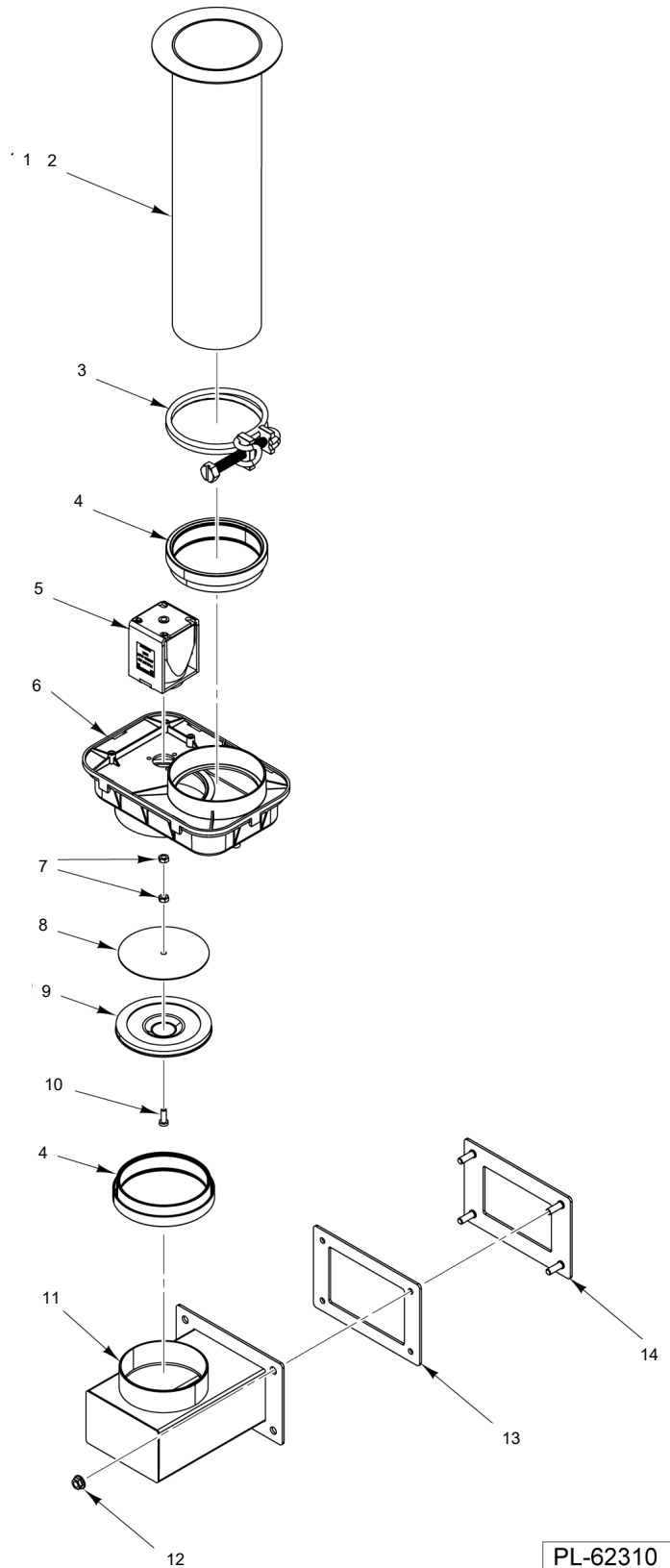
ILLUS.	PART NO.	NAME OF PART	AMT.
PL-38064			
1	00-978526	Chimney (61G)	1
2	00-978527	Chimney (62G)	1
3	00-978528	Chimney (101G)	1
4	00-978529	Chimney (102G)	1
5	00-978088	Nut M5	0
6	00-978538	Steam Generator Assy. (61G)	1
7	00-978539	Steam Generator Assy. (62G)	1
8	00-978540	Steam Generator Assy. (101G)	1
9	00-978537	Steam Generator Assy. (102G)	1
10	00-978341	Sensor - Water Level (61/62/102).....	1
11	00-978346	Sensor - Water Level (101).....	1
12	00-978455	Outlet - Tube	1
13	00-978436	O-Ring	1
14	00-978437	O-Ring	1
15	00-978589	Gasket	1
16	00-978310	Kit - Temp. Sensor	1
17	00-965631	Clamp	1
18	00-978277	Electrode Assy. - Ignition, Straight, Flame Det.	1
19	00-978275	Electrode Assy. - Ignition, Arched	1
20	00-978276	Electrode Assy. - Ignition, Straight Gnd.	1
21	00-978152	Gasket - Fan	1
22	00-978325	Kit - Gas Fan (Incls. Gasket)	1
23	00-978150	O-Ring	1
24	00-978324	Kit - Venturi (Incls. Gasket) (61/62).....	1
25	00-978326	Kit - Venturi (Incls. Gasket) (101/102).....	1
26	00-978319	Kit - Steam Generator Burner Assy. (61/101).....	1
27	00-978318	Kit - Steam Generator Burner Assy. (62/102).....	1
28	00-978431	Gasket	1



WATER CIRCUIT

ILLUS.	PART NO.	NAME OF PART	AMT.
PL-38065			
1	00-978504	Mach. Screw M5 x 12 Hex Hd.	0
2	00-978579	Flange - Wash Arm	1
3	00-978424	O-Ring	1
4	00-978586	Washer - Dispersion	1
5	00-978488	Screw M3 x 12 (SST)	1
6	00-978403	Hose (61/62)	1
6	00-978409	Hose (101/102)	1
7	00-978083	Pump - Wash	1
8	00-978522	Tube - Injection	1
9	00-978512	Hose	1
10	00-978419	Drain - Outlet	1
11	00-978400	Hose (61/101)	1
11	00-978399	Hose (62/102)	1
12	00-978461	Gutter (62/102)	1
12	00-978463	Gutter (61/101)	1
13	00-978464	Cover - Drain	1
14	00-978491	Nut M5 (SST)	3
15	00-978438	Gasket - Drain	1
16	00-978451	Tank - Drain (61/101)	1
16	00-978452	Tank - Drain (62/102)	1
17	00-978395	Pipe - Vent (61)	1
17	00-978396	Pipe - Vent (62)	1
17	00-978397	Pipe - Vent (101)	1
17	00-978398	Pipe - Vent (102)	1
18	00-978345	Sensor - Water Level	1
19	00-978548	Front Shower Handle Cover Assy.	1
19	00-978465	Panel - USB Port Cover	1
20	00-978513	Kit - Hand Shower	1
21	01-556342	Kit - Descale Pump Hoses & Hardware (61/101)	1
21	01-556343	Kit - Descale Pump Hoses & Hardware (62/102)	1
*22	00-978351	Pump (Descaling) (Before S/N P27600981).....	1
22	00-978353	Pump (Descaling) (Starting SN P27600982).....	1
23	00-978516	Elbow	2
24	00-978404	Hose - Wash Box	1
25	00-978448	Box - Wash (61/101)	1
25	00-978449	Box - Wash (62/102)	1
26	00-978515	Elbow	1
27	00-978353	Pump (Generator Drain).....	1
28	00-978405	Hose - Generator (61/62)	1
28	01-556257	Hose - Generator (101/102)	1
29	00-978421	Fitting - Barbed Elbow 3/4	2
30	00-978418	Tee - Tube Fitting	1
31	00-977246	Hose	0
32	00-978546	Solenoid (3 Way UL)	1
33	00-978545	Solenoid (2 Way UL)	1
34	00-978578	Bracket - Solenoid	1
35	00-978352	Pump - Wash Box	1
36	00-978514	Handle - Shower	1
37	00-978071	O-Ring 12.5 ID x 1.5 Cord OD	1
38	00-978543	Vent - Tube (61/101)	1
38	00-978544	Vent - Tube (62/102)	1
39		Hose.....	1
40	00-978517	Clamp - Hose 15.5-19 mm	0
41	00-978462	Door - Descale	1
42	00-978410	Tube - Descale Box Overflow	1

* When replacing previous construction descaling pump, order item number 21. Pump changes orientation, new hardware and hoses required.

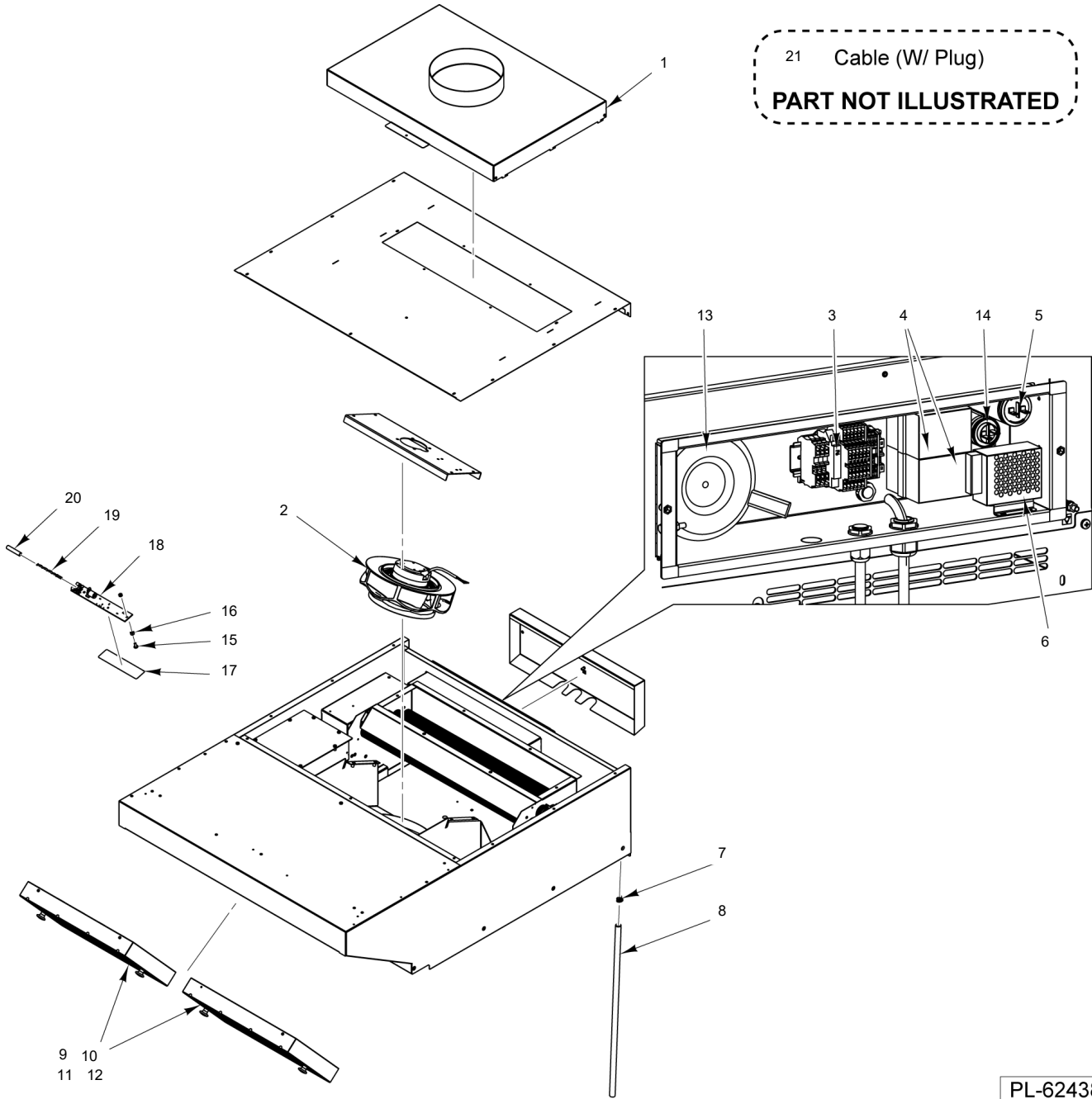


PL-62310

CHIMNEY ASSEMBLY

CHIMNEY ASSEMBLY

ILLUS.	PART NO.	NAME OF PART	AMT.
PL-38066			
1	00-978541	Chimney (61/62)	1
2	00-978542	Chimney (101/102)	1
3	00-978518	Clamp	1
4	00-978443	Gasket - Chimney	2
5	00-978386	Motor - Chimney Flap	1
6	00-978547	Chimney Flap Assy.	1
7	00-977304	Stainless Steel HU 4 Nut	2
8	00-978584	Washer	1
9	00-978441	Gasket - Flap	1
10	00-978499	Screw M4 x 16 (SST)	1
11	00-978450	Box - Chimney	1
12	00-977397	Nut M5	4
13	00-978440	Gasket	1
14	00-978525	Flange	1



PL-62438

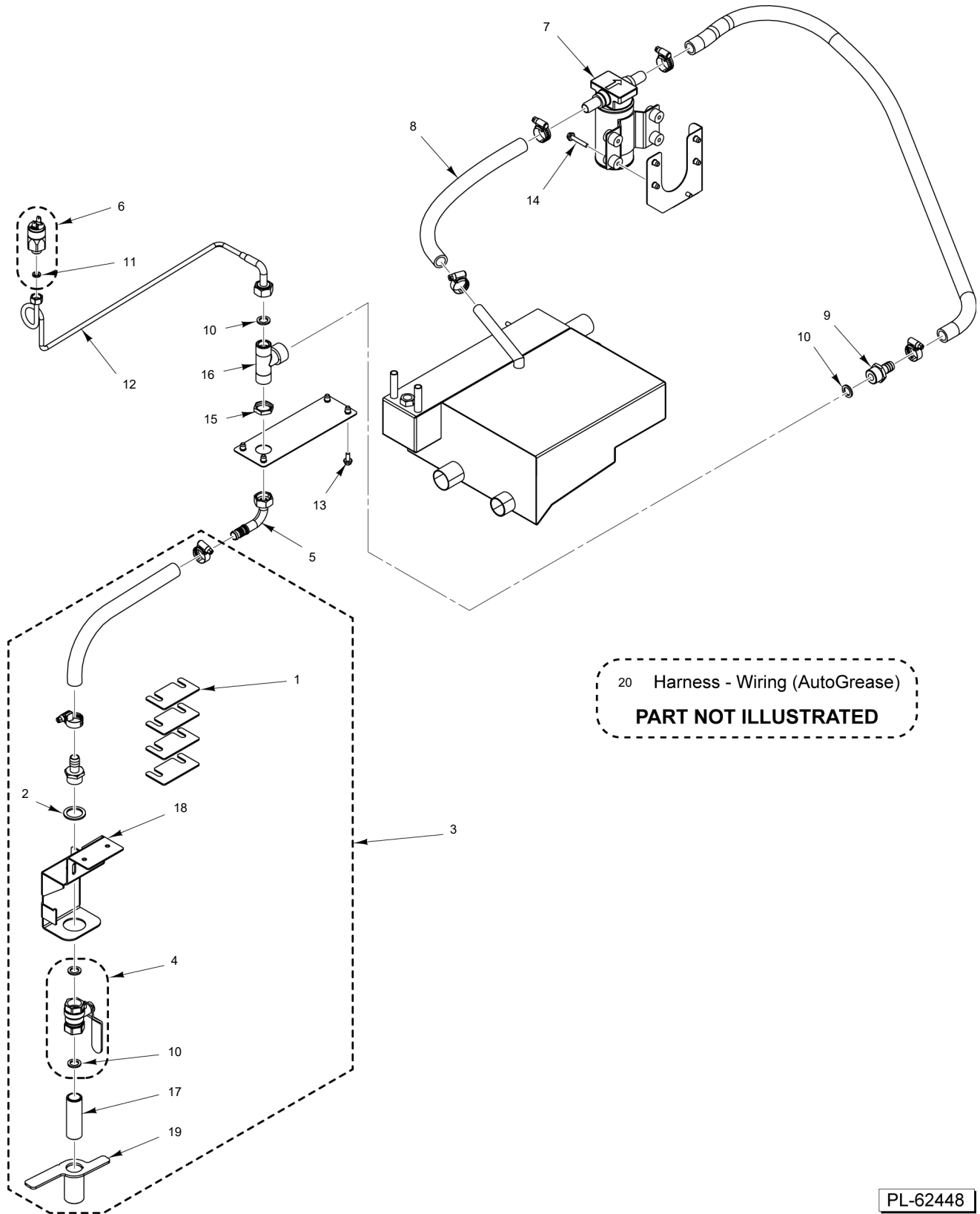
CONDENSER HOOD

CONDENSER HOOD

ILLUS.	PART NO.	NAME OF PART	AMT.
PL-38737			
1	00-978273	Hood - Exhaust	1
2	00-978332	Fan - Hood	1
3	00-978274	Fuse - Timed	1
4	00-978327	Contactora (25 Amp., 230 V., 50/60 Hz.)	2
5	00-978290	Capacitor (15 uF)	1
6	00-978328	Supply - Power (370VDC, 15W)	1
7	00-978330	Clamp - Hose	2
8	00-978329	Hose - Drain	1
9	00-978331	Filter - Shock (61/101)	2
10	00-978333	Filter - Shock (62/102)	2
11	00-978334	Filter - Hepa (61/101)	2
12	00-978335	Filter - Hepa (62/102)	2
13	00-978511	Transformer (415VA)	1
14	01-556369	Capacitor (5 uF)	1
15	00-978033	Screw M4 x 12 mm Cross Hd. A2 TCBL (SST)	2
16	00-977343	Bearing	2
17	00-977221	Label - LED Strip	1
18	00-978379	Light - LED (24VDC, 4000K)	1
19	00-978030	Cable (Siliflon)	1
20	00-978363	Sheath - High Temp. (7 mm)	1
21	00-978133	Cable (W/ Plug).....	1

GREASE REMOVAL ACCESSORIES

ILLUS.	PART NO.	NAME OF PART	AMT.
PL-38738			
1	01-556331	Pan - Grease Collection GN1/1 (61/62)	1
1	01-556332	Pan - Grease Collection GN2/1 (101/102)	1
2	01-556144	Gasket	3
3	01-556149	Connector	1
4	01-556141	Clamp	1
5	00-978077	Twin Plate Tightening	1
6	01-556136	Nozzle	1
7	01-556145	Cap	1
8	01-556138	Nut 3/8	2
9		Container (10 L).....	1
9	01-556143	Container (20 L)	1
10	00-977397	Nut M5	1
11	01-556147	Washer	2
12	01-556146	Clip	1
13	01-556148	Screw 5 x 12	1
14	01-556150	Plug	1
15	00-978096	Tube - Drain	1



AUTOMATIC GREASE REMOVAL

PL-62448

AUTOMATIC GREASE REMOVAL

ILLUS.	PART NO.	NAME OF PART	AMT.
PL-38768			
1	01-556151	Shim - Valve	4
2	01-556152	Seal	1
3	01-556325	Kit - Shut-Off Valve W/ Base	1
4	01-556326	Kit - Shut-Off Valve	1
5	01-556327	Elbow	1
6	01-556328	Kit - Pressure Switch	1
7	01-556135	Pump - Grease	1
8	01-556137	Tube	1
9	01-556142	Connector - Hose	1
10	00-965641	Seal	4
11	01-556330	Gasket	1
12	01-556333	Tube 1/4 Nut	1
13	00-978504	Mach. Screw M5 x 12 Hex Hd.	4
14	00-978505	Screw M6 x 35	4
15	01-556335	Nut 1/2 x 6 x 24 mm	1
16	01-556336	Tee 1/2 In.	1
17	01-556337	Tube	1
18	01-556338	Support - Valve	1
19	01-556339	Tube - Grease Valve	1
20	01-556334	Harness - Wiring (AutoGrease)	1

