



# CATALOG OF REPLACEMENT PARTS



## CHEF GAS COMBI OVEN

- CHEF - 61G (VICS61G)
- CHEF - 62G (VICS62G)
- CHEF - 101G (VICS101G)
- CHEF - 102G (VICS102G)

TECHNICAL SERVICE AND PARTS ASSISTANCE - US: 1-800-814-2028 | CANADA: 1-800-444-4764 For additional information on Vulcan or to locate an authorized parts and service provider in your area, visit [vulcanequipment.com](http://vulcanequipment.com)

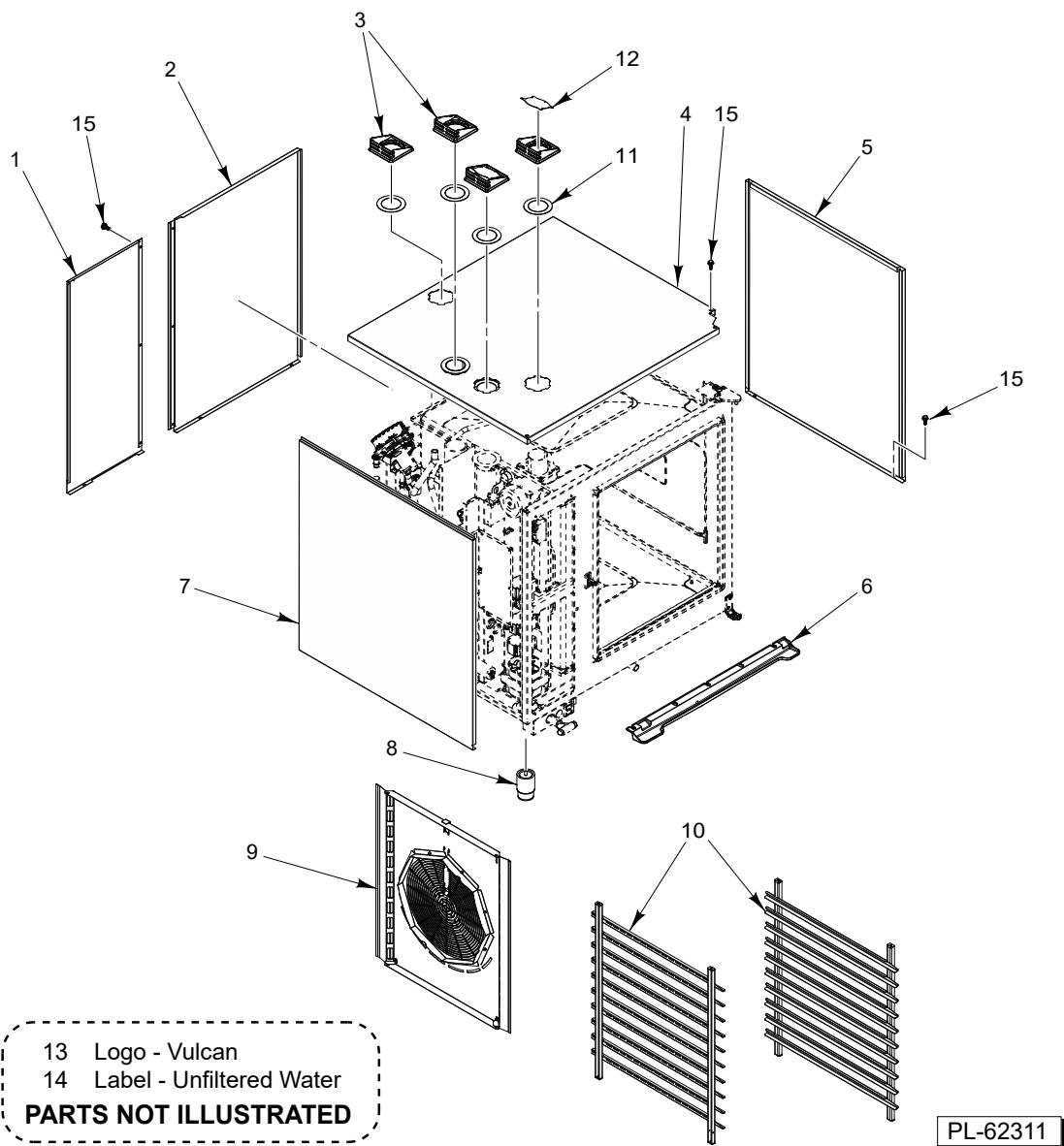
VULCAN DIVISION OF ITW FOOD EQUIPMENT GROUP, LLC 3600 NORTH POINT BLVD., BALTIMORE, MD 21222

FORM F43434 Rev. D (April 2026)



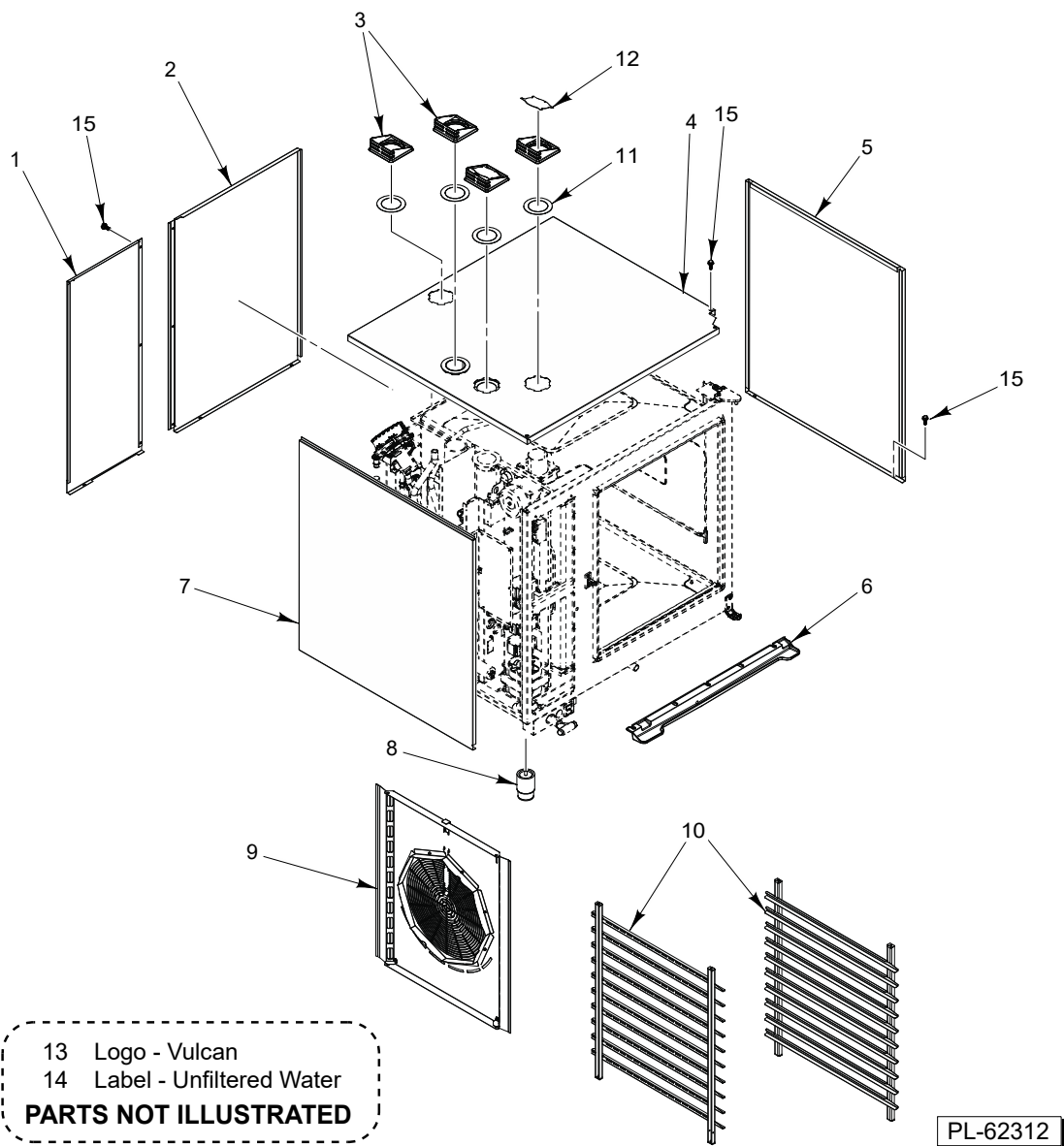
## **Table of Contents**

4	PANELS (61G)
6	PANELS (62G)
8	PANELS (101G)
10	PANELS (102G)
12	CONTROL PANEL
14	DOOR (61/101)
16	DOOR (62/102)
18	ELECTRICAL COMPONENTS
20	CONTACTORS
22	HEAT EXCHANGER
24	STEAM GENERATOR
26	WATER CIRCUIT
28	CHIMNEY ASSEMBLY
30	CONDENSER HOOD
32	GREASE REMOVAL ACCESSORIES
34	AUTOMATIC GREASE REMOVAL



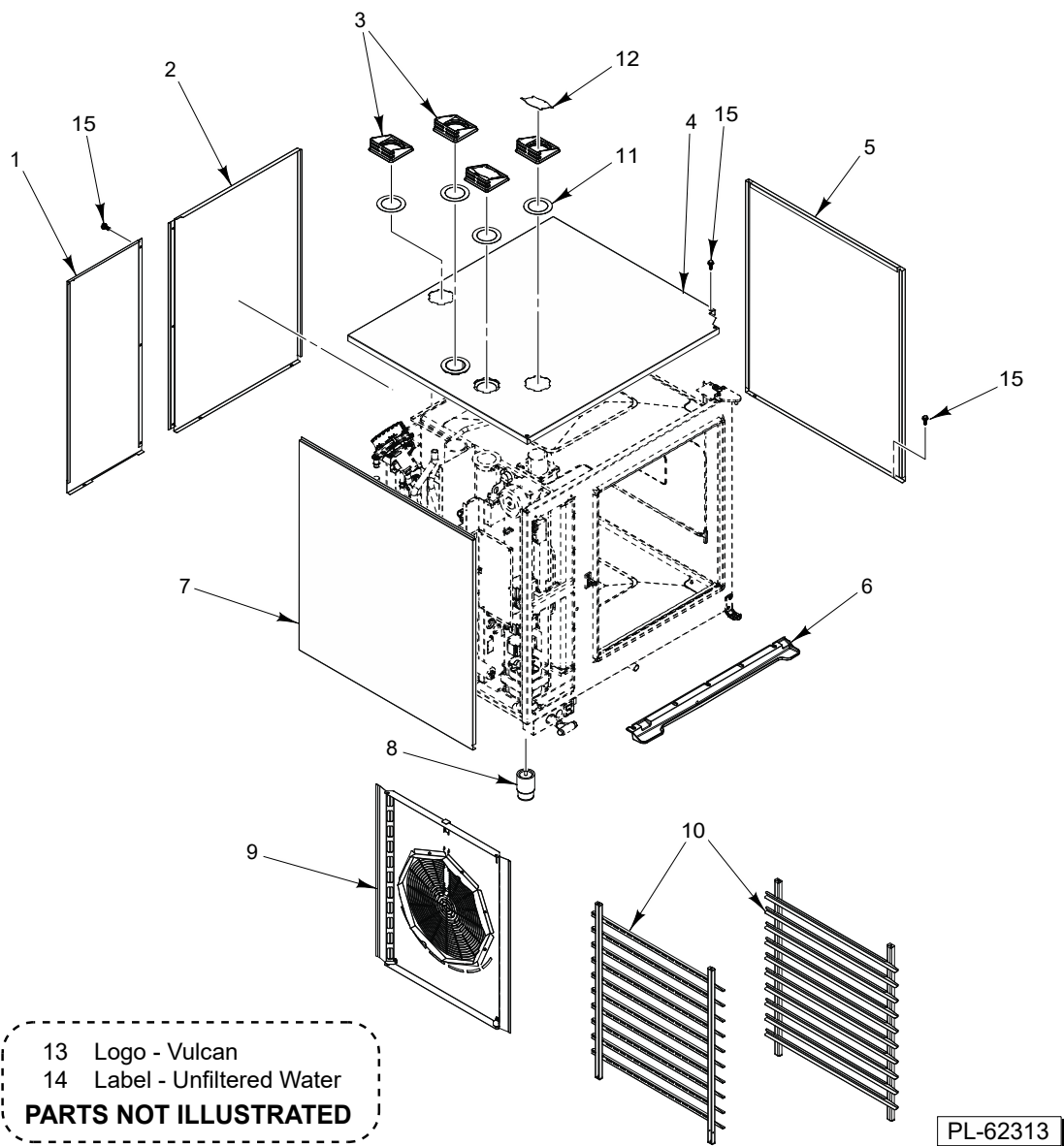
**PANELS (61G)**

ILLUS.	PART NO.	NAME OF PART	AMT.
<b>PL-38067</b>			
1	00-978590	Panel - Rear (RH) .....	1
2	00-978594	Panel - Rear (LH) .....	1
3	00-978314	Chimney W/ Gasket .....	4
4	00-978565	Panel - Top .....	1
5	00-978556	Panel - Right .....	1
6	00-978463	Gutter (61/101) .....	1
7	00-978560	Panel - Left .....	1
8	00-978473	Foot .....	4
9	00-978530	Baffle - Fan .....	1
10	00-978478	Rack - Guide .....	2
11	00-978444	O-Ring .....	4
12	00-978585	Flap - Chimney .....	4
13	00-978453	Logo - Vulcan .....	1
14	00-978390	Label - Unfiltered Water .....	1
15	00-978504	Mach. Screw M5 x 12 Hex Hd. ....	AR



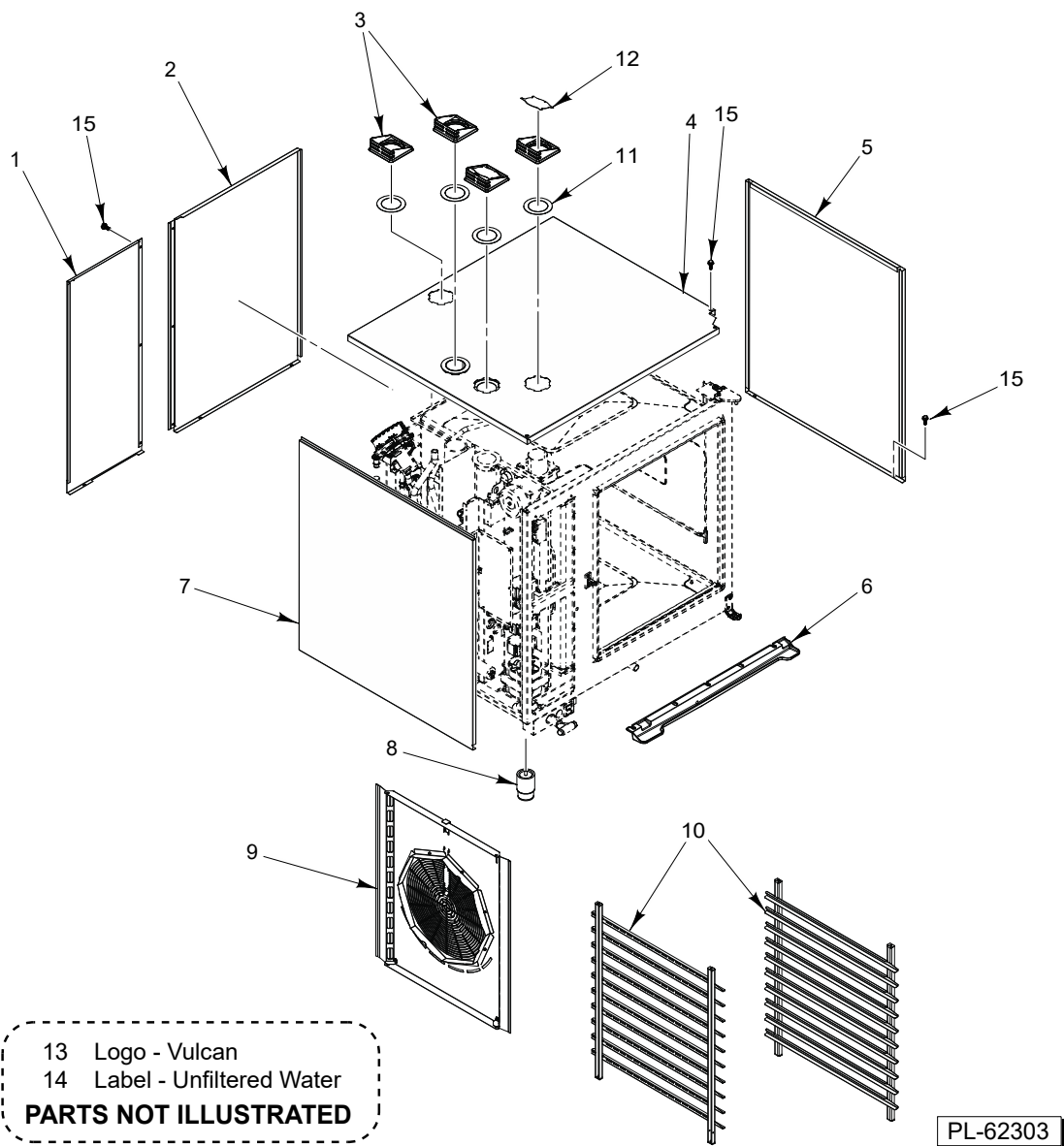
**PANELS (62G)**

ILLUS.	PART NO.	NAME OF PART	AMT.
<b>PL-38068</b>			
1	00-978590	Panel - Rear (RH) .....	1
2	00-978591	Panel - Rear (LH) .....	1
3	00-978314	Chimney W/ Gasket .....	4
4	00-978567	Panel - Top (RH Door) .....	1
4	00-978571	Panel - Top (LH Door) .....	1
5	00-978557	Panel - Right .....	1
6	00-978461	Gutter (62/102) .....	1
7	00-978561	Panel - Left .....	1
8	00-978473	Foot .....	4
9	00-978531	Baffle - Fan .....	1
10	00-978479	Rack - Guide .....	2
11	00-978444	O-Ring .....	4
12	00-978585	Flap - Chimney .....	4
13	00-978453	Logo - Vulcan .....	1
14	00-978390	Label - Unfiltered Water .....	1
15	00-978504	Mach. Screw M5 x 12 Hex Hd. ....	AR



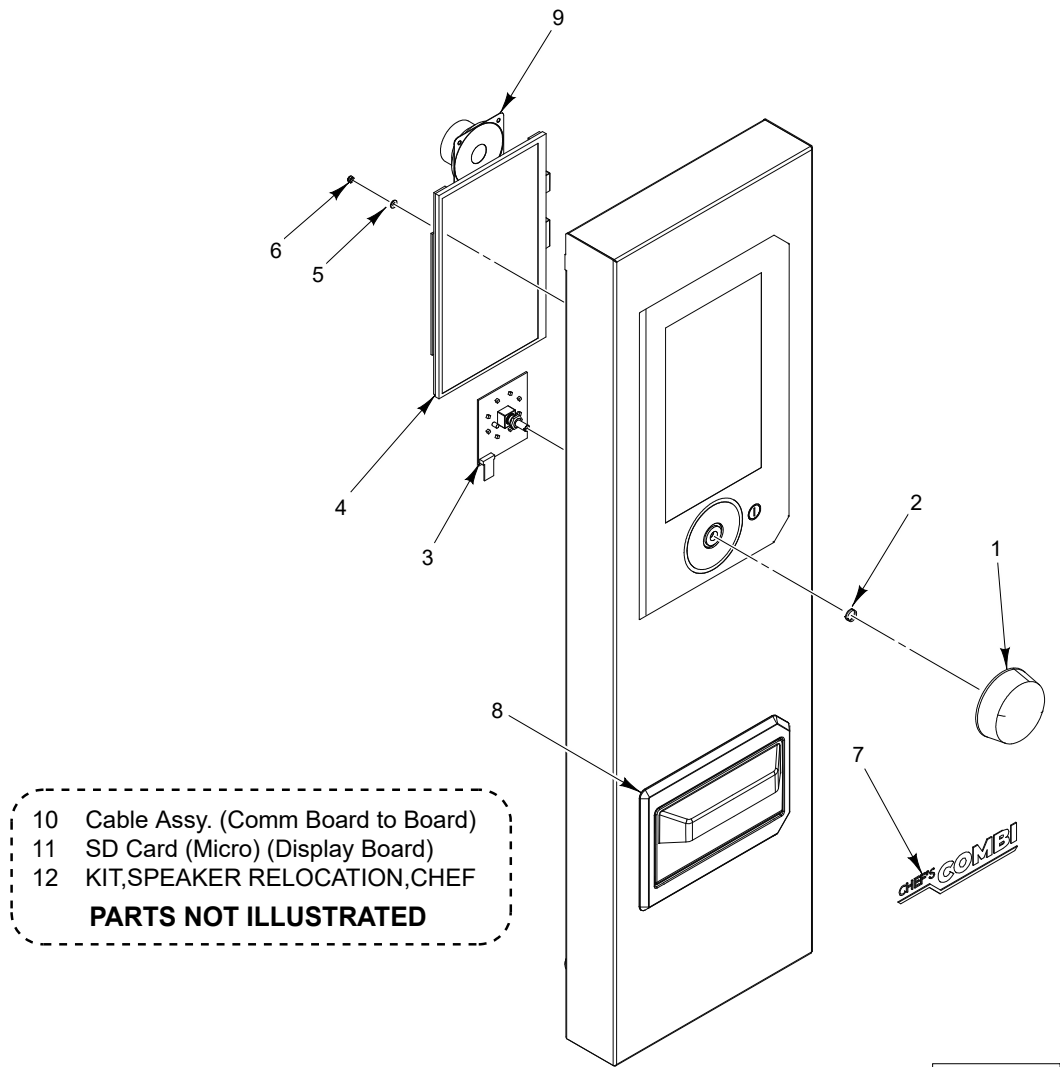
**PANELS (101G)**

ILLUS.	PART NO.	NAME OF PART	AMT.
<b>PL-38069</b>			
1	00-978595	Panel - Rear (LH) .....	1
2	00-978592	Panel - Rear (RH) .....	1
3	00-978314	Chimney W/ Gasket .....	4
4	00-978565	Panel - Top (RH Door).....	1
4	00-978569	Panel - Top (LH Door) .....	1
5	00-978558	Panel - Right .....	1
6	00-978463	Gutter (61/101) .....	1
7	00-978562	Panel - Left .....	1
8	00-978473	Foot .....	4
9	00-978532	Baffle - Fan .....	1
10	00-978480	Rack - Pan .....	2
11	00-978444	O-Ring .....	4
12	00-978585	Flap - Chimney .....	4
13	00-978453	Logo - Vulcan .....	1
14	00-978390	Label - Unfiltered Water .....	1
15	00-978504	Mach. Screw M5 x 12 Hex Hd. ....	AR



**PANELS (102G)**

ILLUS.	PART NO.	NAME OF PART	AMT.
<b>PL-38014</b>			
1	00-978595	Panel - Rear (LH) .....	1
2	00-978593	Panel - Rear (RH) .....	1
3	00-978314	Chimney W/ Gasket .....	4
4	00-978567	Panel - Top (RH Door) .....	1
4	00-978571	Panel - Top (LH Door) .....	1
5	00-978559	Panel - Right .....	1
6	00-978461	Gutter (62/102) .....	1
7	00-978563	Panel - Left .....	1
8	00-978473	Foot .....	4
9	00-978533	Baffle - Fan .....	1
10	00-978481	Rack - Pan .....	2
11	00-978444	O-Ring .....	4
12	00-978585	Flap - Chimney .....	4
13	00-978453	Logo - Vulcan .....	1
14	00-978390	Label - Unfiltered Water .....	1
15	00-978504	Mach. Screw M5 x 12 Hex Hd. ....	AR

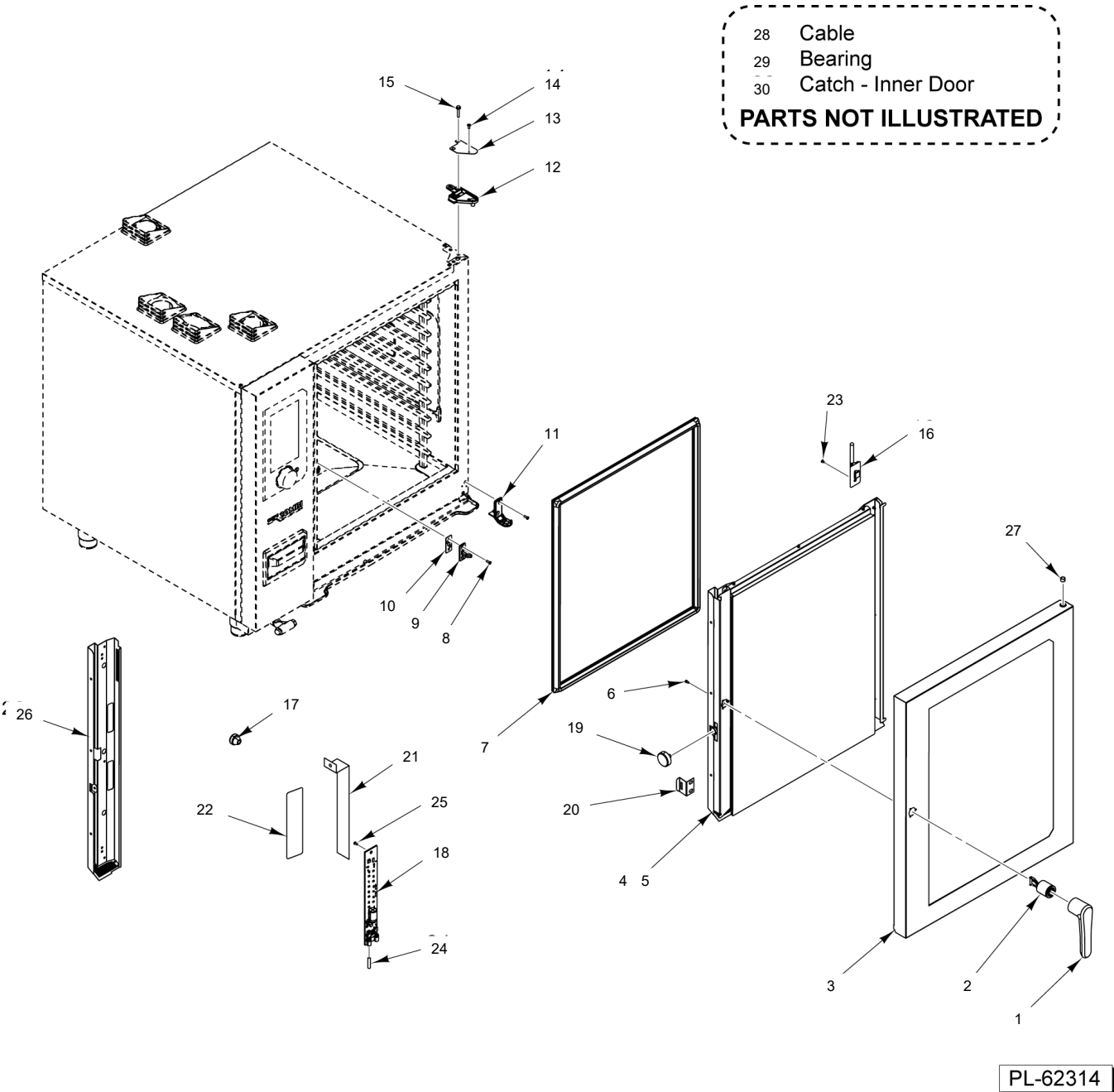


**CONTROL PANEL**

PL-62304

### CONTROL PANEL

ILLUS.	PART NO.	NAME OF PART	AMT.
<b>PL-38017</b>			
1	00-978460	Knob .....	1
2	00-978476	Spring .....	1
3	00-978376	Encoder .....	1
4	00-978375	Touch Screen .....	1
5	00-978489	Washer M3 (SST) .....	4
6	00-977193	Stainless Steel Nylstop M3 Lock Nut .....	4
7	00-978389	Logo - Chef's Combi .....	1
8	00-978462	Door - Descale .....	1
9	00-977334	Speaker .....	1
10	00-978382	Cable Assy. (Comm Board to Board) .....	1
11	00-978384	SD Card (Micro) (Display Board) .....	1
12	01-556582	KIT,SPEAKER RELOCATION,CHEF .....	1

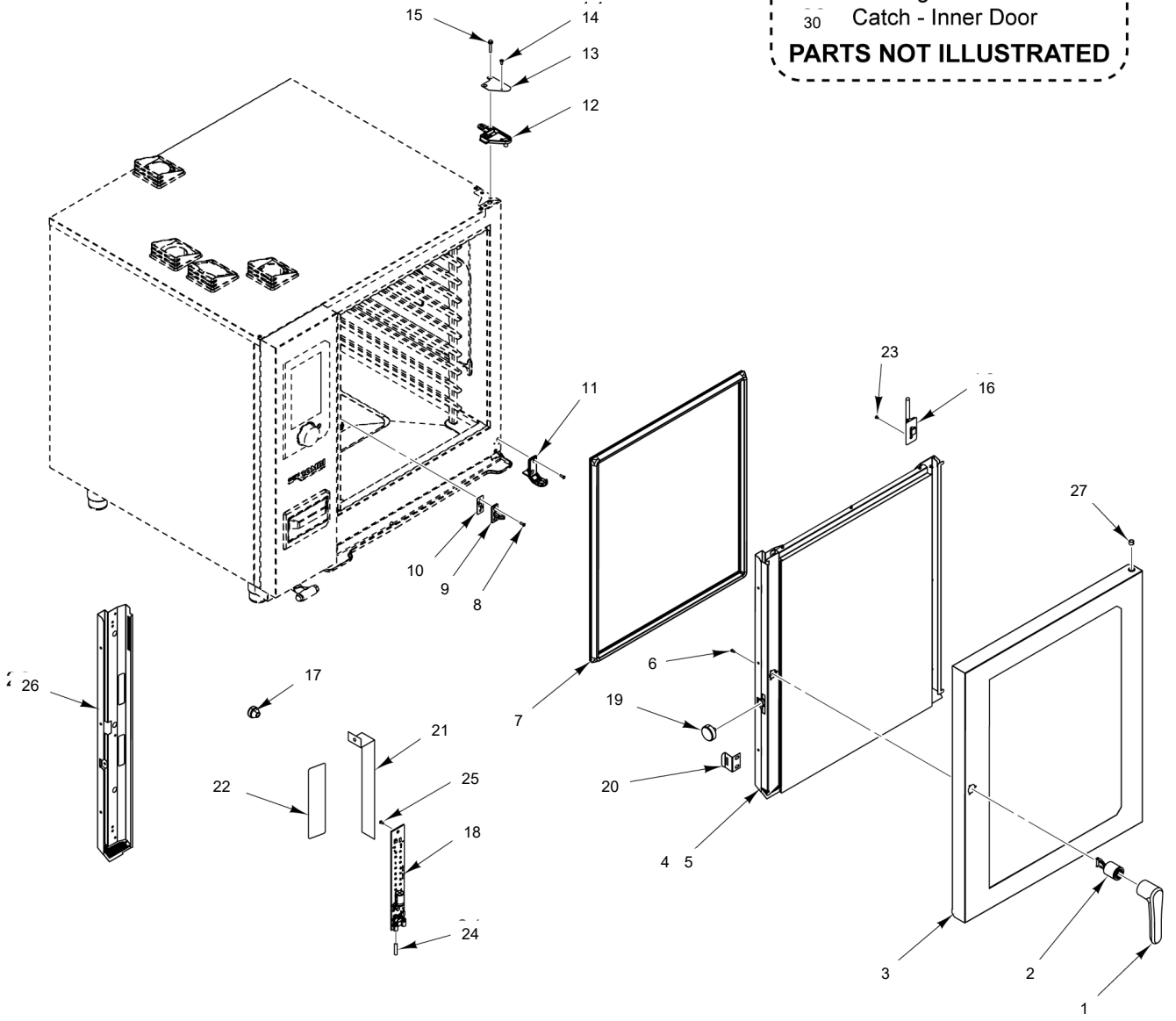


**DOOR (61/101)**

**DOOR (61/101)**

ILLUS.	PART NO.	NAME OF PART	AMT.
<b>PL-38070</b>			
1	00-978459	Handle - Door .....	1
2	00-977034	Latch - Door .....	1
3	00-978278	Door Assy. (61 RH) .....	1
3	00-978282	Door Assy. (61 LH) .....	1
3	00-978280	Door Assy. (101 RH) .....	1
3	00-978284	Door Assy. (101 LH) .....	1
4	00-978286	Inner Pane Assy. (61) .....	1
5	00-978288	Inner Pane Assy. (101) .....	1
6	00-977214	A2 Stainless Screw TCHC M4 x 10 ISO 4762 .....	3
7	00-978432	Seal - Door (61) .....	1
7	00-978434	Seal - Door (101) .....	1
8	00-978507	Screw 6 x 20 .....	0
9	00-977035	Catch - Door .....	1
10	00-978447	Spacer .....	0
11	00-978456	Hinge - Bottom (RH Door) .....	1
11	00-978457	Hinge - Bottom (LH Door) .....	1
12	00-978458	Hinge - Door .....	1
13	00-978581	Cover - Hinge .....	1
14	00-978506	Screw M3 x 5 .....	1
15	00-978505	Screw M6 x 35 .....	3
16	00-978454	Hinge - Glass .....	1
17	00-977033	Bumper - Door Stop .....	2
18	00-978379	Light - LED (24VDC, 4000K) .....	1
19	00-978474	Magnet - Door .....	1
20	00-978477	Catch - Door .....	2
21	00-977218	LED Strip Protective Film .....	2
22	00-977221	Label - LED Strip .....	2
23	00-978027	Screw M4 x 10 A2 Countersunk PZ DIN 965 (SST) .....	1
24	00-978363	Sheath - High Temp. (7 mm) .....	0
25	00-978033	Screw M4 x 12 mm Cross Hd. A2 TCBL (SST) .....	0
26	00-978582	Bracket - Stiffener (61/62 RH Door) .....	1
26	00-978583	Bracket - Stiffener (101/102 RH Door) .....	1
26	00-978587	Bracket - Stiffener (61/62 LH Door) .....	1
26	00-978588	Bracket - Stiffener (101/102 LH Door) .....	1
27	00-978032	Ring 12/14 x 10 In. (Bronze) .....	1
28	00-978030	Cable (Siliflon) .....	1
29	00-977343	Bearing .....	4
30	00-977222	Plate - Inner Door Catch .....	1

- 28 Cable
  - 29 Bearing
  - 30 Catch - Inner Door
- PARTS NOT ILLUSTRATED**



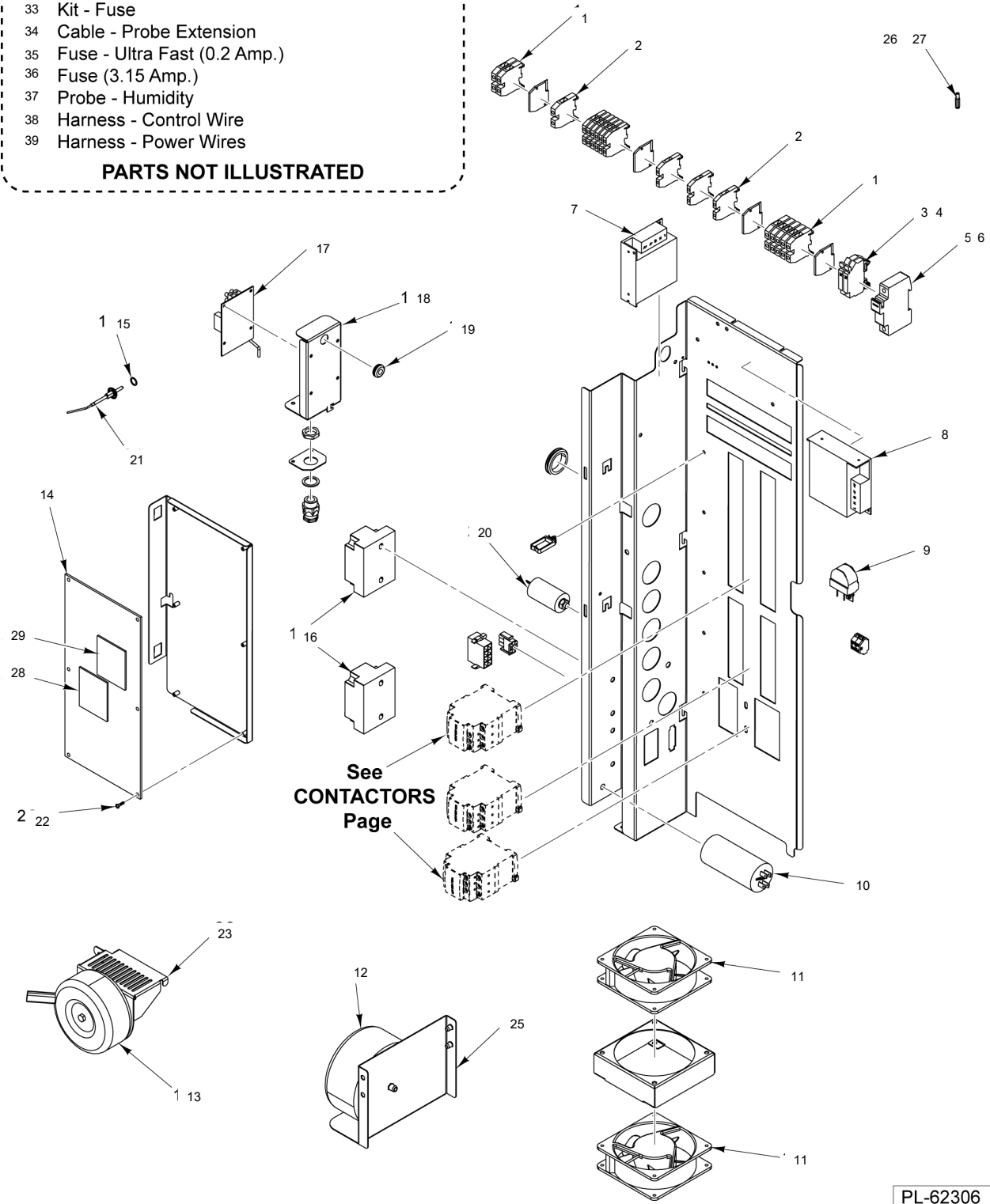
PL-62314

**DOOR (62/102)**

**DOOR (62/102)**

ILLUS.	PART NO.	NAME OF PART	AMT.
<b>PL-38070</b>			
1	00-978459	Handle - Door .....	1
2	00-977034	Latch - Door .....	1
3	00-978279	Door Assy. (62 RH) .....	1
3	00-978283	Door Assy. (62 LH) .....	1
3	00-978281	Door Assy. (102 RH) .....	1
3	00-978285	Door Assy. (102 LH) .....	1
4	00-978287	Inner Pane Assy. (62) .....	1
5	00-978289	Inner Pane Assy. (102) .....	1
6	00-977214	A2 Stainless Screw TCHC M4 x 10 ISO 4762 .....	3
7	00-978433	Seal - Door (62) .....	1
7	00-978435	Seal - Door (102) .....	1
8	00-978507	Screw 6 x 20 .....	0
9	00-977035	Catch - Door .....	1
10	00-978447	Spacer .....	0
11	00-978456	Hinge - Bottom (RH Door) .....	1
11	00-978457	Hinge - Bottom (LH Door) .....	1
12	00-978458	Hinge - Door .....	1
13	00-978581	Cover - Hinge .....	1
14	00-978506	Screw M3 x 5 .....	1
15	00-978505	Screw M6 x 35 .....	3
16	00-978454	Hinge - Glass .....	1
17	00-977033	Bumper - Door Stop .....	2
18	00-978379	Light - LED (24VDC, 4000K) .....	1
19	00-978474	Magnet - Door .....	1
20	00-978477	Catch - Door .....	2
21	00-977218	LED Strip Protective Film .....	2
22	00-977221	Label - LED Strip .....	2
23	00-978027	Screw M4 x 10 A2 Countersunk PZ DIN 965 (SST) .....	1
24	00-978363	Sheath - High Temp. (7 mm) .....	0
25	00-978033	Screw M4 x 12 mm Cross Hd. A2 TCBL (SST) .....	0
26	00-978582	Bracket - Stiffener (61/62 RH Door) .....	0
26	00-978583	Bracket - Stiffener (101/102 RH Door) .....	0
26	00-978587	Bracket - Stiffener (61/62 LH Door) .....	0
26	00-978588	Bracket - Stiffener (101/102 LH Door) .....	0
27	00-978032	Ring 12/14 x 10 In. (Bronze) .....	1
28	00-978030	Cable (Siliflon) .....	1
29	00-977343	Bearing .....	4
30	00-977222	Plate - Inner Door Catch .....	1

- 30 Kit - Food Probe (W/ Gasket) (61)
  - 31 Kit - Food Probe (W/ Gasket) (102)
  - 32 Kit - Food Probe (W/ Gasket) (62/101)
  - 33 Kit - Fuse
  - 34 Cable - Probe Extension
  - 35 Fuse - Ultra Fast (0.2 Amp.)
  - 36 Fuse (3.15 Amp.)
  - 37 Probe - Humidity
  - 38 Harness - Control Wire
  - 39 Harness - Power Wires
- PARTS NOT ILLUSTRATED**



PL-62306

**ELECTRICAL COMPONENTS**

**ELECTRICAL COMPONENTS**

ILLUS.	PART NO.	NAME OF PART	AMT.
<b>PL-38048</b>			
1	00-978067	Block - Terminal .....	2
2	00-978068	Block - Terminal .....	1
3	00-978058	Holder - Fuse .....	1
4	00-978059	Fuse (4 Amp) .....	2
5	00-977346	Holder - Fuse .....	1
6	00-977014	Fuse (10 Amp) .....	1
7	01-556134	Power Supply (Switching) .....	1
8	00-978370	Switch - Power Supply .....	1
9	00-978383	Switch .....	1
10	00-977018	Capacitor (12.5 uF) (Motor) (61/101) .....	1
10	00-978354	Capacitor (20 uF) (Motor) (62/102) .....	1
11	00-978358	Fan - Cooling .....	2
12	00-978510	Transformer (828VA) (62/102) .....	1
13	00-978511	Transformer (415VA) .....	1
14	00-978380	Kit - Board Automate W/ Humidity .....	1
14	00-978381	Kit - Board Automate W/ Humidity / Gas Control .....	1
15	00-977250	O-Ring - Probe .....	1
16	00-978136	Ignition - Gas .....	2
17	00-978132	Electric Filter - Board .....	1
18	00-978573	Bracket - Filter .....	1
19	00-978048	Grommet .....	1
20	00-978055	Capacitor 6.3 uf (Wash Pump Motor) .....	1
21	00-978311	Sensor - Temp (Cavity) .....	1
22	00-978503	Screw M5 x 16 .....	6
23	00-978577	Bracket - Transformer Support .....	1
25	00-978576	Bracket - Transformer Support .....	1
26	00-978340	Switch - Door .....	0
27	00-978339	Switch - Door .....	0
28	00-978377	Board - Gas Control .....	1
29	00-978378	Board - Humidity .....	1
30	00-978270	Kit - Food Probe (W/ Gasket) (61) .....	1
31	00-978271	Kit - Food Probe (W/ Gasket) (102) .....	1
32	00-978272	Kit - Food Probe (W/ Gasket) (62/101) .....	1
33	01-556309	Kit - Fuse .....	0
34	01-556351	Cable - Probe Extension .....	0
35	00-977009	Fuse - Ultra Fast (0.2 Amp) .....	1
36	00-977024	Fuse (3.15 Amp) .....	5
37	00-978342	Probe - Humidity .....	1
38	01-556321	Harness - Control Wire .....	1
39	01-556317	Harness - Power Wires .....	1

		208/240							
		61		62		101		102	
Electrical Designation	Usage	Part #	QTY	Part #	QTY	Part #	QTY	Part #	QTY
K <sup>2</sup> J	Steam Generator	00-978061	1	00-978061	1	00-978061	1	00-978061	1
K <sup>1</sup>	Burner	00-978061	1	00-978061	1	00-978061	1	00-978061	1
K <sup>3</sup>	Power	00-978061	1	00-978061	1	00-978061	1	00-978061	1

4

PL-62457

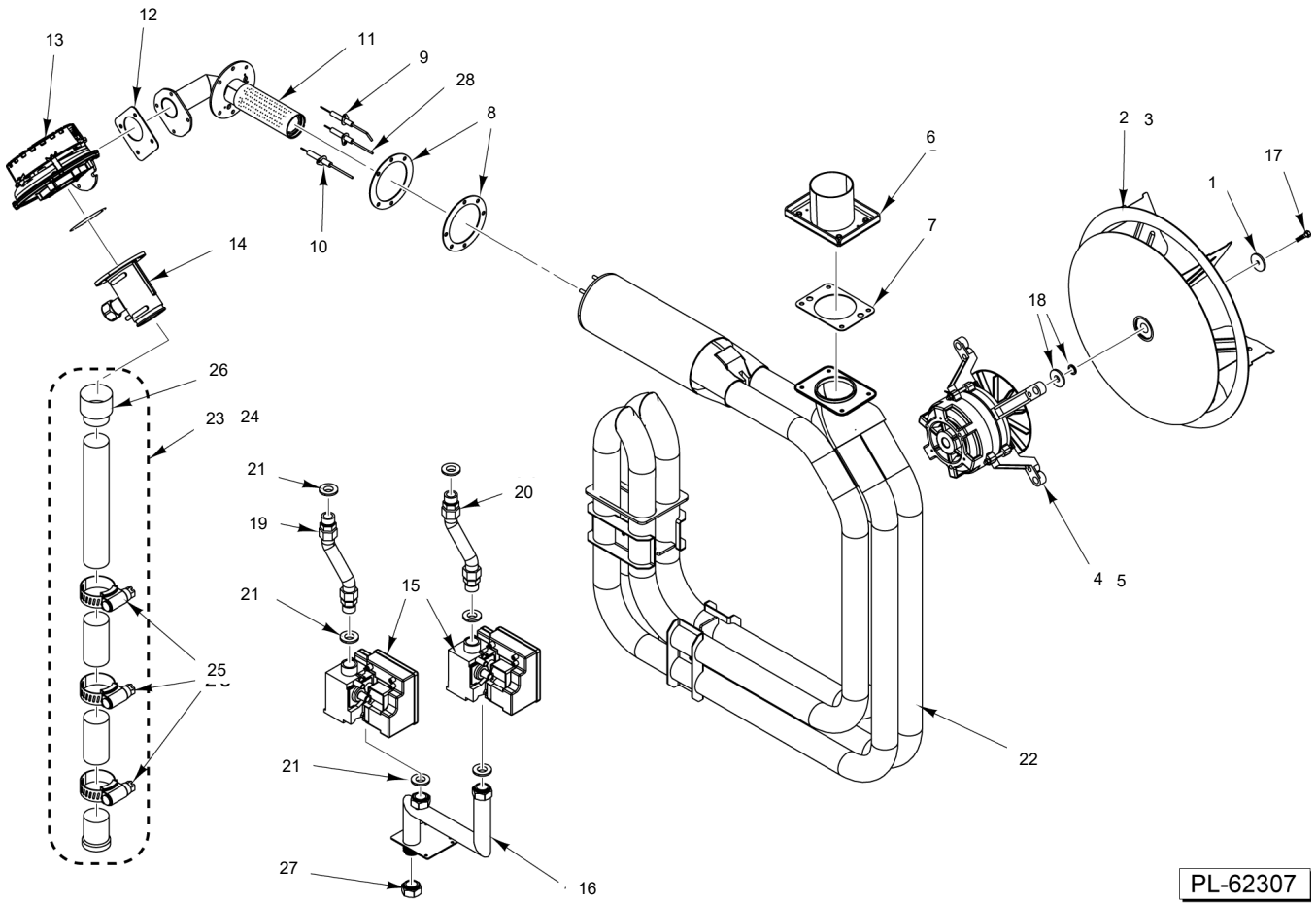
**CONTACTORS**

## CONTACTORS

ILLUS.	PART NO.	NAME OF PART	AMT.
<b>PL-38809</b>			
1	00-978061	Contactora (25 Amp.) (Burner) (KBR).....	0
2	00-978061	Contactora (25 Amp.) (Steam Burner) (KBG).....	0
3	00-978061	Contactora (25 Amp.) (Power) (KP).....	0
*4	00-977008	Anti-Interference Relay Filter .....	0

\* Order With Contactor

29 Orifice  
**PART NOT ILLUSTRATED**

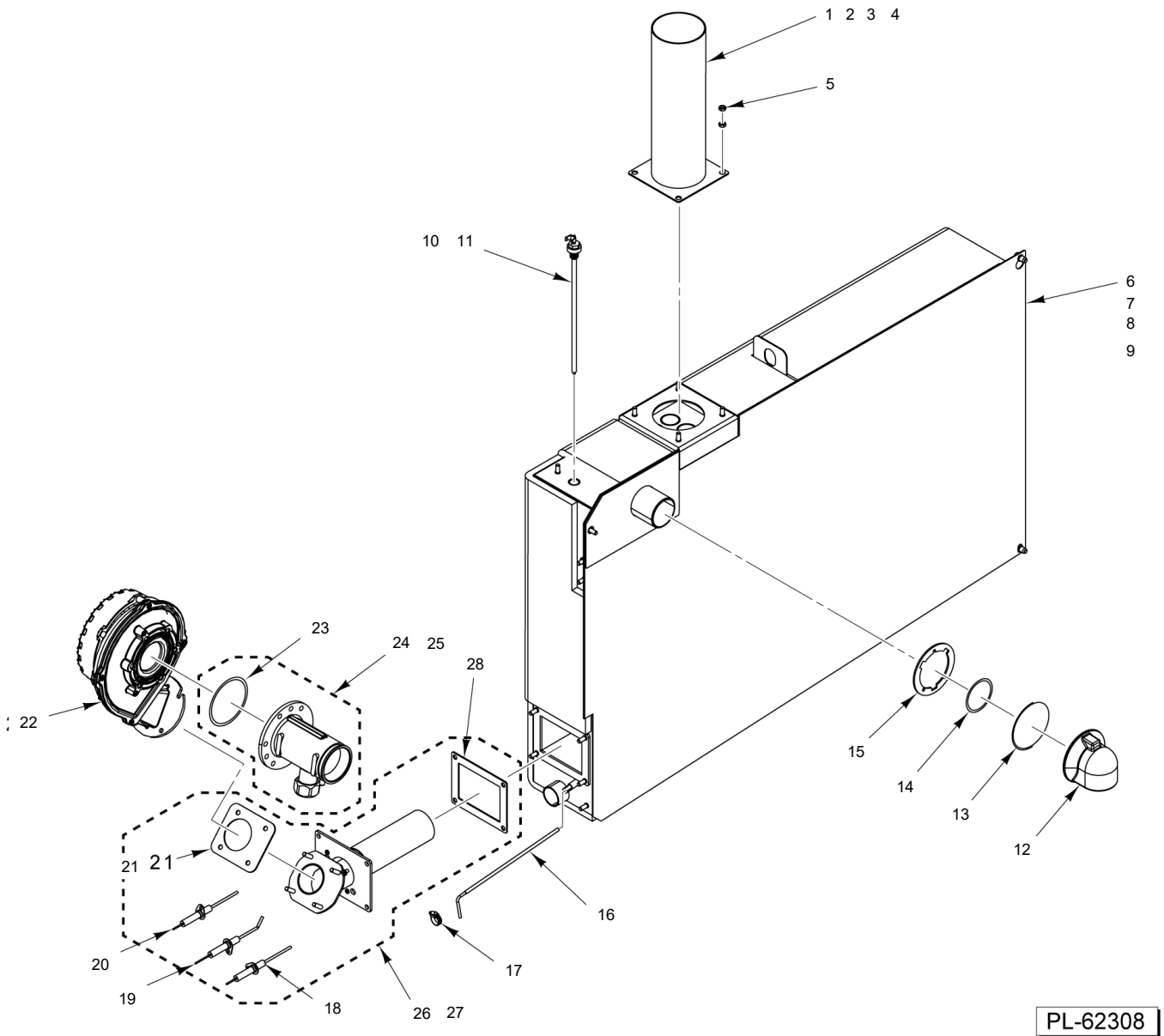


PL-62307

### HEAT EXCHANGER

## HEAT EXCHANGER

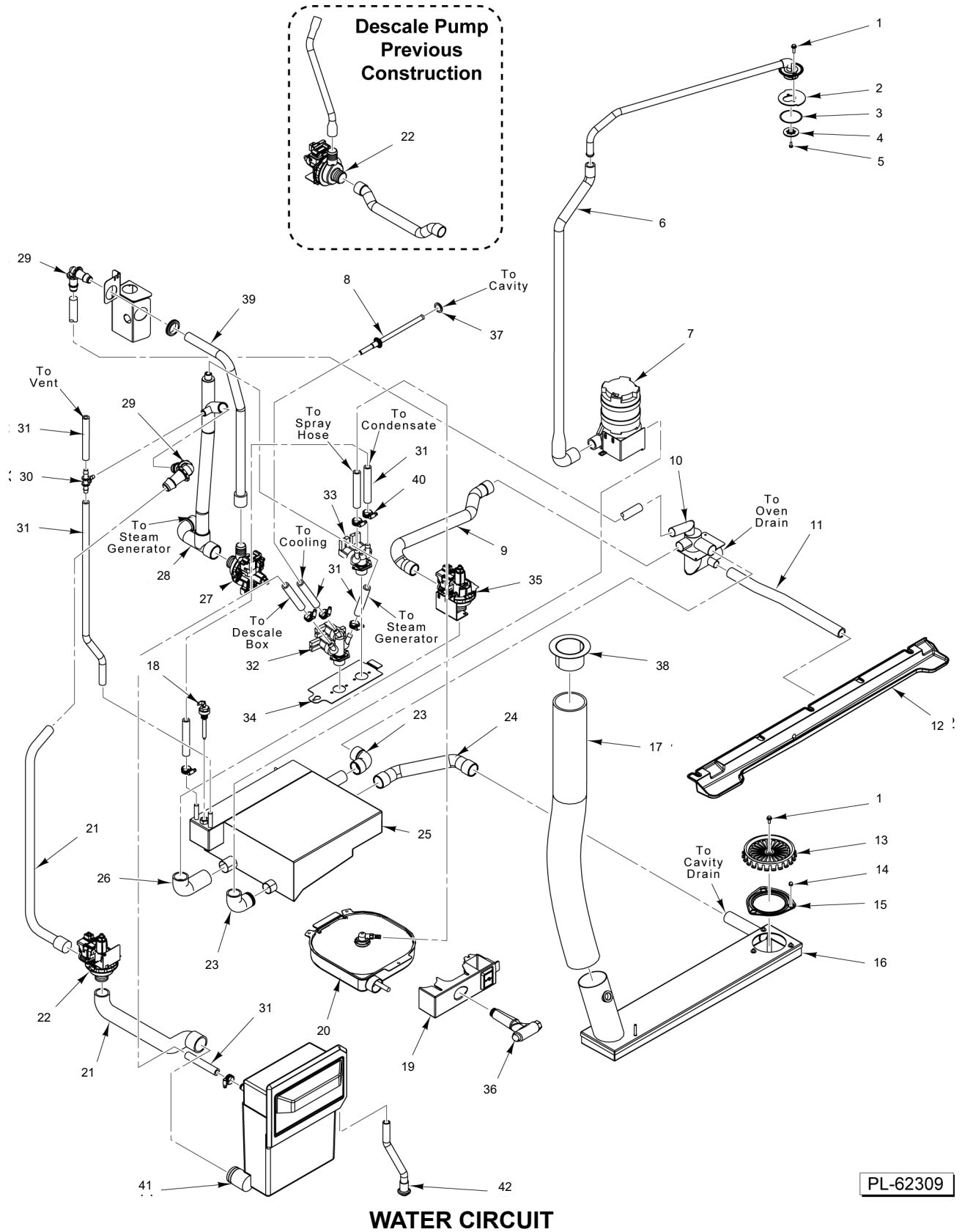
ILLUS.	PART NO.	NAME OF PART	AMT.
<b>PL-38059</b>			
1	00-977289	Washer .....	1
2	00-978355	Fan - Wheel (61).....	1
2	00-978356	Fan - Wheel (101).....	1
3	00-978357	Fan - Wheel (62).....	1
3	01-556310	Fan - Wheel (102).....	1
4	00-978115	Kit - Motor Service (Incls. Hardware) (61/101) .....	1
5	00-978313	Kit - Motor Service (Incls. Hardware) (62/102) .....	1
6	00-978523	Chimney - Heat Exchanger .....	1
7	00-978139	Seal - Outer .....	1
8	00-978430	Gasket - Heat Exchanger .....	1
9	00-978275	Electrode Assy. - Ignition, Arched .....	1
10	00-978277	Electrode Assy. - Ignition, Straight, Flame Det. ....	1
11	00-978316	Burner Assy. (61/101) .....	1
11	00-978317	Burner Assy. (62/102).....	1
12	00-978152	Gasket - Fan .....	1
13	00-978325	Kit - Gas Fan (Incls. Gasket) .....	1
13	00-978153	Reducer (Included in Kit).....	1
14	00-978324	Kit - Venturi (Incls. Gasket) .....	1
15	00-978145	Module - Ignition .....	2
15	00-978315	Kit - Gas Valve (848 Sigma) (60 Hz.) .....	2
16	00-978524	Manifold .....	1
17	00-978490	Screw TH 6 x 25 (SST) .....	1
18	00-977003	Seal - Drive Shaft Gasket W/ Wear Ring .....	1
19	00-978406	Tube (Gas Valve to Combustion) (Generator) .....	1
19	00-978407	Tube (Gas Valve to Combustion) (Cavity) (101/102).....	1
20	00-978408	Tube (Gas Valve to Combustion) (Cavity) (101/102).....	1
21	00-978146	Gasket .....	0
22	00-978320	Kit - Heat Exchanger (Incls. Gaskets) (61G) (Incls. Items 7 & 8).....	1
22	00-978321	Kit - Heat Exchanger (Incls. Gaskets) (62G) (Incls. Items 7 & 8).....	1
22	00-978322	Kit - Heat Exchanger (Incls. Gaskets) (101G) (Incls. Items 7 & 8).....	1
22	00-978323	Kit - Heat Exchanger (Incls. Gaskets) (102G) (Incls. Items 7 & 8).....	1
23	00-978549	Duct - Air Supply (61/101G).....	1
24	00-978550	Duct - Air Supply (62/102G) .....	1
25	00-978417	Clamp - Hose .....	0
26	00-978148	Adapter - Venturi .....	1
27	00-978144	Fitting - Gas Connector Adaptor .....	1
28	00-978276	Electrode Assy. - Ignition, Straight Gnd. ....	1
29	00-978165	Propane Orifice and Gasket #580 .....	1



### STEAM GENERATOR

**STEAM GENERATOR**

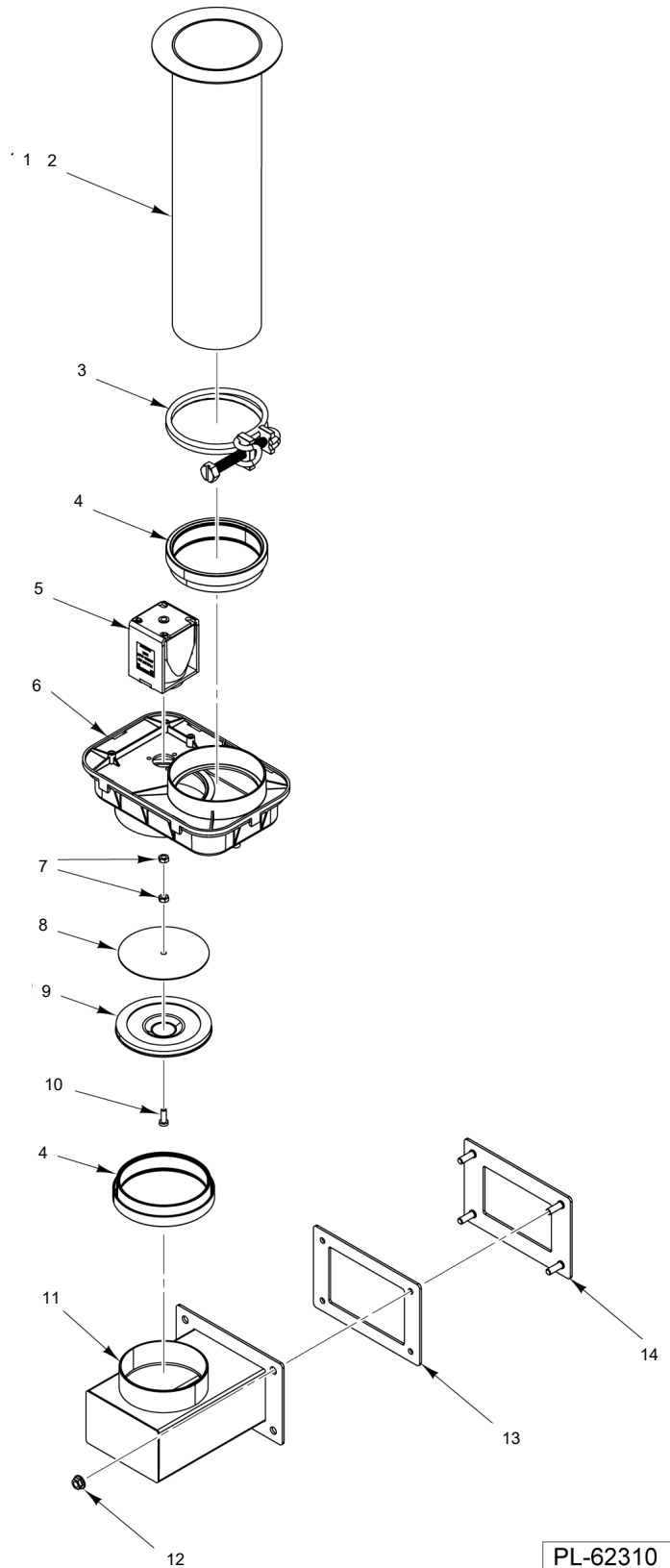
ILLUS.	PART NO.	NAME OF PART	AMT.
<b>PL-38064</b>			
1	00-978526	Chimney (61G) .....	1
2	00-978527	Chimney (62G) .....	1
3	00-978528	Chimney (101G) .....	1
4	00-978529	Chimney (102G) .....	1
5	00-978088	Nut M5 .....	0
6	00-978538	Steam Generator Assy. (61G) .....	1
7	00-978539	Steam Generator Assy. (62G) .....	1
8	00-978540	Steam Generator Assy. (101G) .....	1
9	00-978537	Steam Generator Assy. (102G) .....	1
10	00-978341	Sensor - Water Level (61/62/102).....	1
11	00-978346	Sensor - Water Level (101).....	1
12	00-978455	Outlet - Tube .....	1
13	00-978436	O-Ring .....	1
14	00-978437	O-Ring .....	1
15	00-978589	Gasket .....	1
16	00-978310	Kit - Temp. Sensor .....	1
17	00-965631	Clamp .....	1
18	00-978277	Electrode Assy. - Ignition, Straight, Flame Det. ....	1
19	00-978275	Electrode Assy. - Ignition, Arched .....	1
20	00-978276	Electrode Assy. - Ignition, Straight Gnd. ....	1
21	00-978152	Gasket - Fan .....	1
22	00-978325	Kit - Gas Fan (Incls. Gasket) .....	1
23	00-978150	O-Ring .....	1
24	00-978324	Kit - Venturi (Incls. Gasket) (61/62).....	1
25	00-978326	Kit - Venturi (Incls. Gasket) (101/102).....	1
26	00-978319	Kit - Steam Generator Burner Assy. (61/101).....	1
27	00-978318	Kit - Steam Generator Burner Assy. (62/102).....	1
28	00-978431	Gasket .....	1



**WATER CIRCUIT**

ILLUS.	PART NO.	NAME OF PART	AMT.
<b>PL-38065</b>			
1	00-978504	Mach. Screw M5 x 12 Hex Hd. ....	0
2	00-978579	Flange - Wash Arm .....	1
3	00-978424	O-Ring .....	1
4	00-978586	Washer - Dispersion .....	1
5	00-978488	Screw M3 x 12 (SST) .....	1
6	00-978403	Hose (61/62) .....	1
6	00-978409	Hose (101/102) .....	1
7	00-978083	Pump - Wash .....	1
8	00-978522	Tube - Injection .....	1
9	00-978512	Hose .....	1
10	00-978419	Drain - Outlet .....	1
11	00-978400	Hose (61/101) .....	1
11	00-978399	Hose (62/102) .....	1
12	00-978461	Gutter (62/102) .....	1
12	00-978463	Gutter (61/101) .....	1
13	00-978464	Cover - Drain .....	1
14	00-978491	Nut M5 (SST) .....	3
15	00-978438	Gasket - Drain .....	1
16	00-978451	Tank - Drain (61/101) .....	1
16	00-978452	Tank - Drain (62/102) .....	1
17	00-978395	Pipe - Vent (61) .....	1
17	00-978396	Pipe - Vent (62) .....	1
17	00-978397	Pipe - Vent (101) .....	1
17	00-978398	Pipe - Vent (102) .....	1
18	00-978345	Sensor - Water Level .....	1
19	00-978548	Front Shower Handle Cover Assy. ....	1
19	00-978465	Panel - USB Port Cover .....	1
20	00-978513	Kit - Hand Shower .....	1
21	01-556342	Kit - Descale Pump Hoses & Hardware (61/101) .....	1
21	01-556343	Kit - Descale Pump Hoses & Hardware (62/102) .....	1
*22	00-978351	Pump (Descaling) (Before S/N P27600981).....	1
22	00-978353	Pump (Descaling) (Starting SN P27600982).....	1
23	00-978516	Elbow .....	2
24	00-978404	Hose - Wash Box .....	1
25	00-978448	Box - Wash (61/101) .....	1
25	00-978449	Box - Wash (62/102) .....	1
26	00-978515	Elbow .....	1
27	00-978353	Pump (Generator Drain).....	1
28	00-978405	Hose - Generator (61/62) .....	1
28	01-556257	Hose - Generator (101/102) .....	1
29	00-978421	Fitting - Barbed Elbow 3/4 .....	2
30	00-978418	Tee - Tube Fitting .....	1
31	00-977246	Hose .....	0
32	00-978546	Solenoid (3 Way UL) .....	1
33	00-978545	Solenoid (2 Way UL) .....	1
34	00-978578	Bracket - Solenoid .....	1
35	00-978352	Pump - Wash Box .....	1
36	00-978514	Handle - Shower .....	1
37	00-978071	O-Ring 12.5 ID x 1.5 Cord OD .....	1
38	00-978543	Vent - Tube (61/101) .....	1
38	00-978544	Vent - Tube (62/102) .....	1
39		Hose.....	1
40	00-978517	Clamp - Hose 15.5-19 mm .....	0
41	00-978462	Door - Descale .....	1
42	00-978410	Tube - Descale Box Overflow .....	1

\* When replacing previous construction descaling pump, order item number 21. Pump changes orientation, new hardware and hoses required.

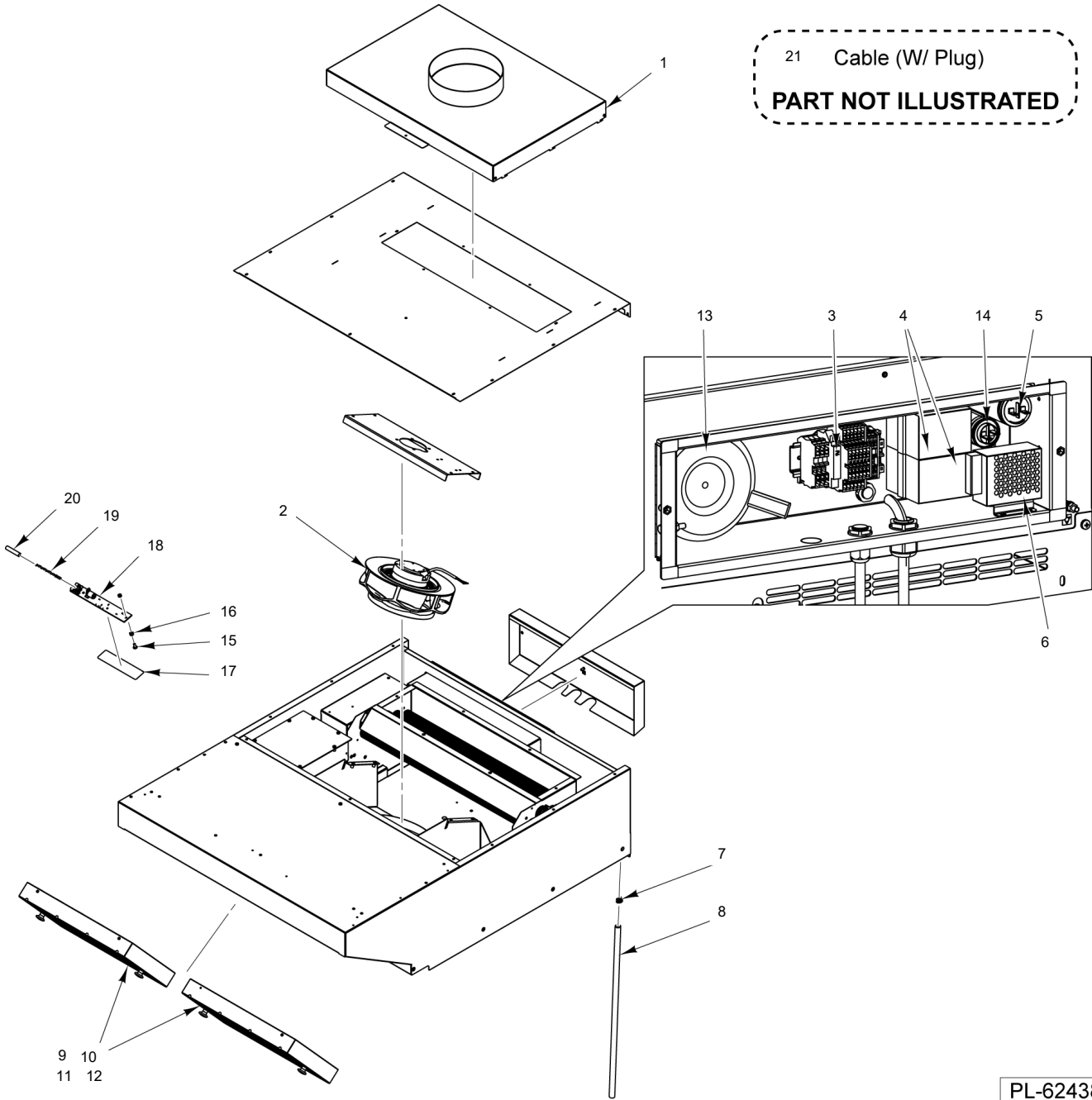


PL-62310

**CHIMNEY ASSEMBLY**

### CHIMNEY ASSEMBLY

ILLUS.	PART NO.	NAME OF PART	AMT.
<b>PL-38066</b>			
1	00-978541	Chimney (61/62) .....	1
2	00-978542	Chimney (101/102) .....	1
3	00-978518	Clamp .....	1
4	00-978443	Gasket - Chimney .....	2
5	00-978386	Motor - Chimney Flap .....	1
6	00-978547	Chimney Flap Assy. ....	1
7	00-977304	Stainless Steel HU 4 Nut .....	2
8	00-978584	Washer .....	1
9	00-978441	Gasket - Flap .....	1
10	00-978499	Screw M4 x 16 (SST) .....	1
11	00-978450	Box - Chimney .....	1
12	00-977397	Nut M5 .....	4
13	00-978440	Gasket .....	1
14	00-978525	Flange .....	1

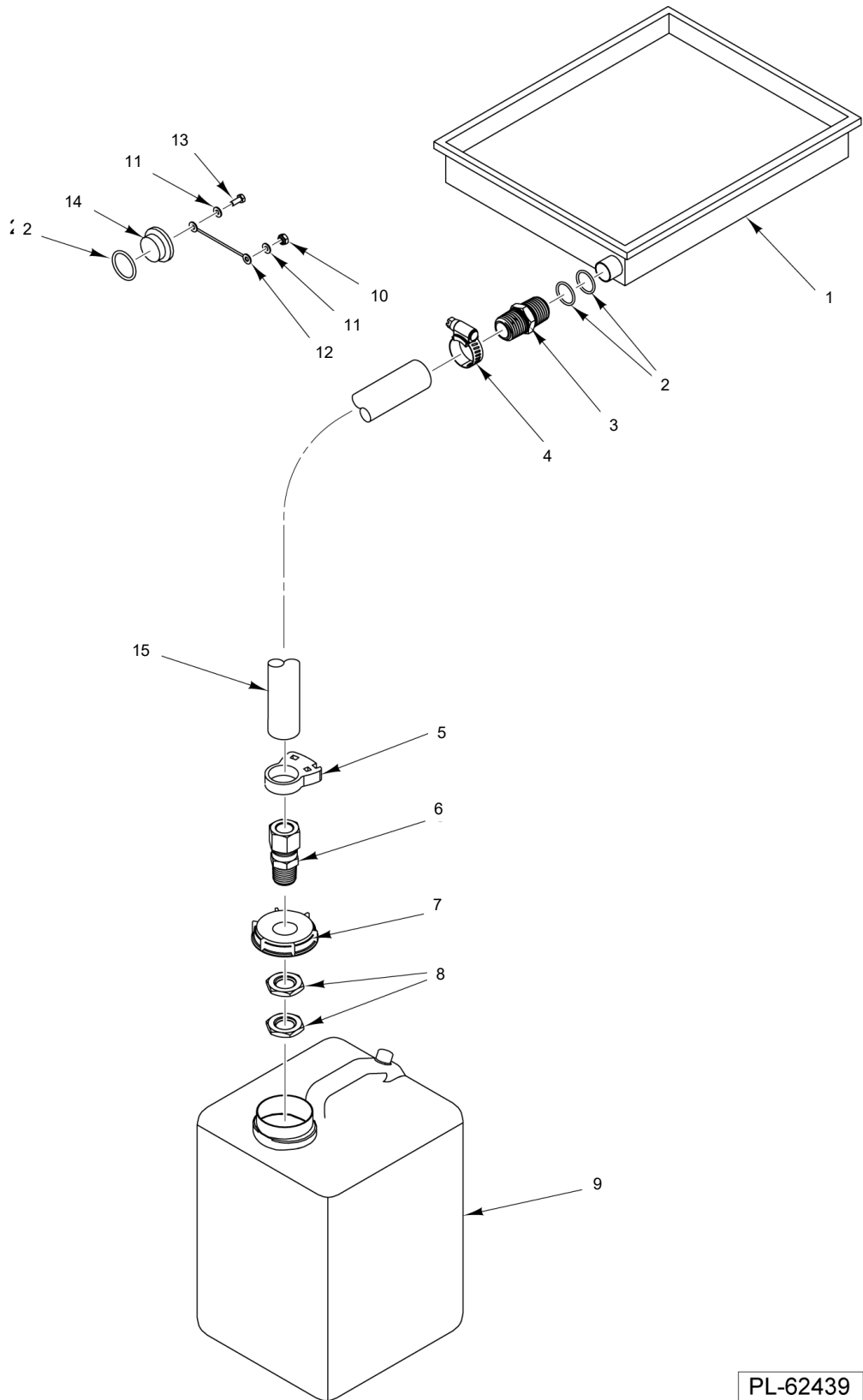


PL-62438

**CONDENSER HOOD**

**CONDENSER HOOD**

ILLUS.	PART NO.	NAME OF PART	AMT.
<b>PL-38737</b>			
1	00-978273	Hood - Exhaust .....	1
2	00-978332	Fan - Hood .....	1
3	00-978274	Fuse - Timed .....	1
4	00-978327	Contacto (25 Amp., 230 V., 50/60 Hz.) .....	2
5	00-978290	Capacitor (15 uF) .....	1
6	00-978328	Supply - Power (370VDC, 15W) .....	1
7	00-978330	Clamp - Hose .....	2
8	00-978329	Hose - Drain .....	1
9	00-978331	Filter - Shock (61/101) .....	2
10	00-978333	Filter - Shock (62/102) .....	2
11	00-978334	Filter - Hepa (61/101) .....	2
12	00-978335	Filter - Hepa (62/102) .....	2
13	00-978511	Transformer (415VA) .....	1
14	01-556369	Capacitor (5 uF) .....	1
15	00-978033	Screw M4 x 12 mm Cross Hd. A2 TCBL (SST) .....	2
16	00-977343	Bearing .....	2
17	00-977221	Label - LED Strip .....	1
18	00-978379	Light - LED (24VDC, 4000K) .....	1
19	00-978030	Cable (Siliflon) .....	1
20	00-978363	Sheath - High Temp. (7 mm) .....	1
21	00-978133	Cable (W/ Plug).....	1

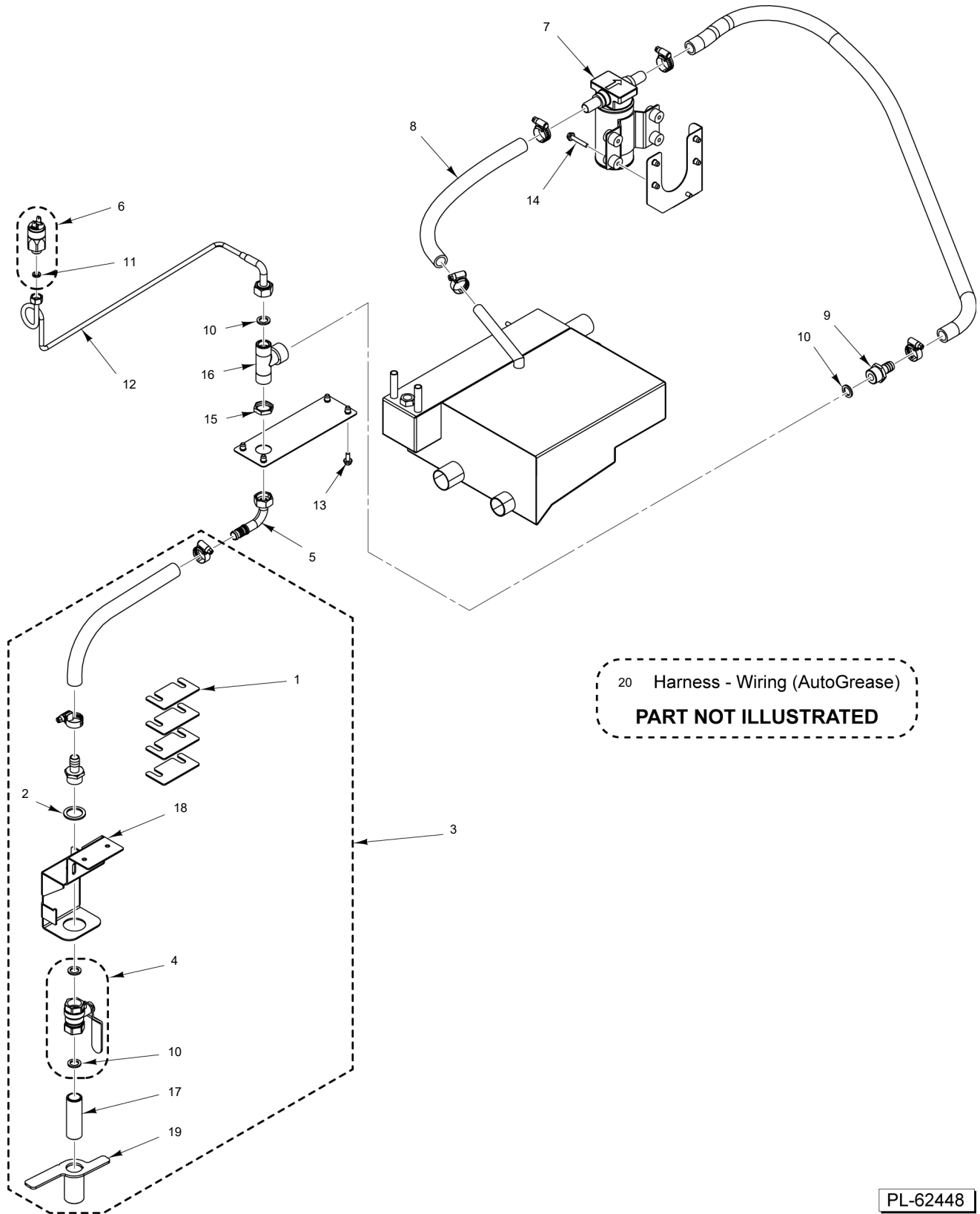


PL-62439

**GREASE REMOVAL ACCESSORIES**

### GREASE REMOVAL ACCESSORIES

ILLUS.	PART NO.	NAME OF PART	AMT.
<b>PL-38738</b>			
1	01-556331	Pan - Grease Collection GN1/1 (61/62) .....	1
1	01-556332	Pan - Grease Collection GN2/1 (101/102) .....	1
2	01-556144	Gasket .....	3
3	01-556149	Connector .....	1
4	01-556141	Clamp .....	1
5	00-978077	Twin Plate Tightening .....	1
6	01-556136	Nozzle .....	1
7	01-556145	Cap .....	1
8	01-556138	Nut 3/8 .....	2
9		Container (10 L).....	1
9	01-556143	Container (20 L) .....	1
10	00-977397	Nut M5 .....	1
11	01-556147	Washer .....	2
12	01-556146	Clip .....	1
13	01-556148	Screw 5 x 12 .....	1
14	01-556150	Plug .....	1
15	00-978096	Tube - Drain .....	1



**AUTOMATIC GREASE REMOVAL**

PL-62448

**AUTOMATIC GREASE REMOVAL**

ILLUS.	PART NO.	NAME OF PART	AMT.
<b>PL-38768</b>			
1	01-556151	Shim - Valve .....	4
2	01-556152	Seal .....	1
3	01-556325	Kit - Shut-Off Valve W/ Base .....	1
4	01-556326	Kit - Shut-Off Valve .....	1
5	01-556327	Elbow .....	1
6	01-556328	Kit - Pressure Switch .....	1
7	01-556135	Pump - Grease .....	1
8	01-556137	Tube .....	1
9	01-556142	Connector - Hose .....	1
10	00-965641	Seal .....	4
11	01-556330	Gasket .....	1
12	01-556333	Tube 1/4 Nut .....	1
13	00-978504	Mach. Screw M5 x 12 Hex Hd. ....	4
14	00-978505	Screw M6 x 35 .....	4
15	01-556335	Nut 1/2 x 6 x 24 mm .....	1
16	01-556336	Tee 1/2 In. ....	1
17	01-556337	Tube .....	1
18	01-556338	Support - Valve .....	1
19	01-556339	Tube - Grease Valve .....	1
20	01-556334	Harness - Wiring (AutoGrease) .....	1

