



CATALOG OF REPLACEMENT PARTS

ENDURANCE/CHALLENGER MODULAR SERIES GAS RANGES (After Aug - 2011)



12
24S
36S
36C
48S
48SS
48C
60SS
60SC
60CS
72SS
72SS
72SC
72CC
72CS

TECHNICAL SERVICE AND PARTS ASSISTANCE - US:

1-800-814-2028 | CANADA: 1-800-444-4764 For additional information on Vulcan or to locate an authorized parts and service provider in your area, visit vulcanequipment.com

VULCAN DIVISION OF ITW FOOD EQUIPMENT GROUP, LLC 3600 NORTH POINT BLVD., BALTIMORE, MD 21222

FORM F43239 Rev. E (May 2026)

Table of Contents

4	F43239 - COVER
6	ORIFICE CHART
8	OPEN TOP BURNER ASSEMBLY
10	OPEN TOP BURNER MODULE (12 INCH)
12	OPEN TOP BURNER MODULE (24 INCH)
14	OPEN TOP BURNER MODULE (36 INCH)
16	GRIDDLE TOP MODULE (12 INCH)
18	GRIDDLE TOP MODULE (24 INCH)
20	GRIDDLE TOP MODULE (36 INCH)
22	GRIDDLE MANIFOLD AND VALVES (24 INCH)
24	GRIDDLE MANIFOLD AND VALVES (36 INCH)
26	THERMOSTAT GRIDDLE CONTROL ASSEMBLY (24 INCH)
28	THERMOSTAT GRIDDLE CONTROL ASSEMBLY (36 INCH)
30	GRIDDLE/BROILER BURNER AND MANIFOLD
32	GRIDDLE/BROILER PANELS
34	STANDARD OVEN CONTROL (24 INCH)
36	STANDARD OVEN CONTROL (30 INCH)
38	CONVECTION OVEN CONTROL (30 INCH)
40	DOOR SWITCH ASSEMBLY
42	OVEN BURNER ASSEMBLY
44	RANGE BODY (12 INCH)
46	STANDARD OVEN CAVITY (24 INCH)
48	STANDARD OVEN CAVITY (36 INCH)
50	CONVECTION OVEN CAVITY (36 INCH)
52	CONVECTION MOTOR ASSEMBLY (30 INCH UNIT ONLY)
54	DOOR ASSEMBLY
56	BACKSPLASH, SHELF, AND BULL NOSE (ALL SIZES)
58	BACKSPLASH AND PANELS (GRIDDLE/BROILERS)

CATALOG OF REPLACEMENT PARTS ENDURANCE/CHALLENGER MODULAR SERIES GAS RANGES (After Aug. 2011)

ITW Food Equipment Group

VULCAN



MODELS

12	48S	72SS
	48SS	72SC
24S	48C	72CC
		72CS
36S	60SS	
36C	60SC	
	60CS	



For additional information on Vulcan-Hart Company or to locate an authorized parts and service provider in your area, visit our website at www.vulcanequipment.com

VULCAN-HART
DIVISION OF ITW FOOD EQUIPMENT GROUP, LLC
www.vulcanequipment.com

3600 NORTH POINT BLVD.
BALTIMORE, MD 21222
F-43239 Rev. C (Oct, 2016)

F43239 - Cover

F43239 - Cover

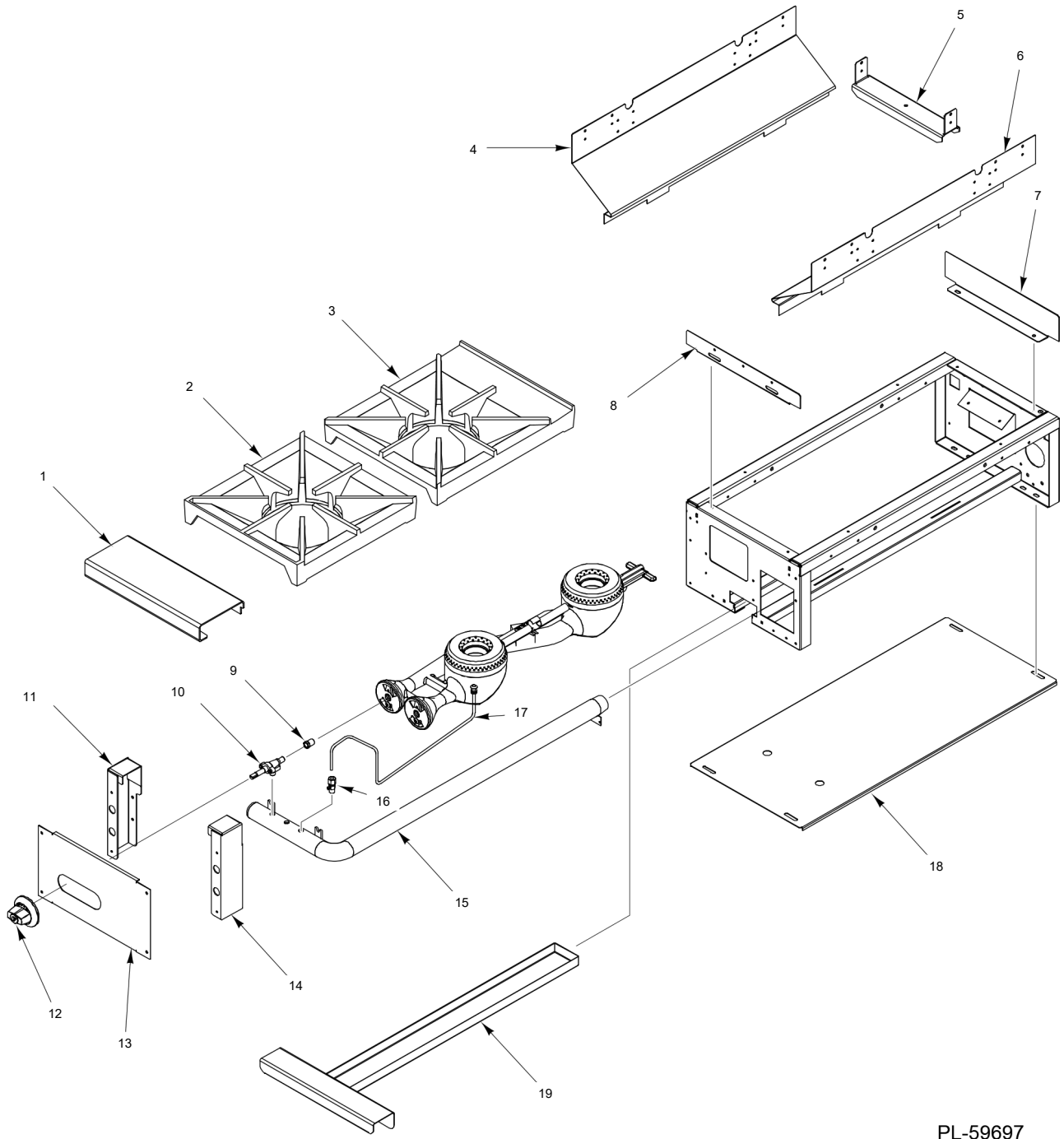
ILLUS.	PART NO.	NAME OF PART	AMT.
PL-27287		12, 24s, 36s, 48s, 60ss, 72ss.....	0

ORIFICE CHART

ILLUS.	PART NO.	NAME OF PART	AMT.
PL-24677			
35	00-719951-00035	Hood - Orifice (Drill 35)	0
36	00-719951-00036	Hood - Orifice (Drill 36)	0
37	00-719951-00037	Hood - Orifice (Drill 37)	0
38	00-719951-00038	Hood - Orifice (Drill 38)	0
39	00-719951-00039	Hood - Orifice (Drill 39)	0
40	00-719951-00040	Hood - Orifice (Drill 40)	0
41	00-719951-00041	Hood - Orifice (Drill 41)	0
42	00-719951-00042	Hood - Orifice (Drill 42)	0
43	00-719951-00043	Hood - Orifice (Drill 43)	0
44	00-719951-00044	Hood - Orifice (Drill 44)	0
45	00-719951-00045	Hood - Orifice (Drill 45)	0
46	00-719951-00046	Hood - Orifice (Drill 46)	0
47	00-719951-00047	Hood - Orifice (Drill 47)	0
48	00-418051-00048	Hood - Orifice (Drill 48)	0
49	00-719951-00049	Hood - Orifice (Drill 49)	0
51	00-418051-00051	Hood - Orifice (Drill 51)	0
52	00-719951-00052	Hood - Orifice (Drill 52)	0
53	00-418051-00053	Hood - Orifice (Drill 53)	0
54	00-719951-00054	Hood - Orifice (Drill 54)	0
55	00-719951-00055	Hood - Orifice (Drill 55)	0
56	00-719951-00056	Hood - Orifice (Drill 56)	0
57	00-719951-00057	Hood - Orifice (Drill 57)	0
59	00-719951-00059	Hood - Orifice (Drill 59)	0
60	00-719951-00060	Hood - Orifice (Drill 60)	0
61	00-719951-00061	Hood - Orifice (Drill 61)	0
63	00-418051-00063	Hood - Orifice (Drill 63)	0
64	00-719951-00064	Hood - Orifice (Drill 64)	0
65	00-719951-00065	Hood - Orifice (Drill 65)	0
66	00-719951-00066	Hood - Orifice (Drill 66)	0
67	00-719951-00067	Hood - Orifice (Drill 67)	0

OPEN TOP BURNER ASSEMBLY

ILLUS.	PART NO.	NAME OF PART	AMT.
PL-20338			
1	00-763209-000A1	Open Top Burner (Venturi) (Includes items 2, 3, 4, 5, 6, 7, and 8).....	1
2	00-719329	Air Mixer Assy.	2
3	00-417608-00001	Burner Head	1
4	00-730228	Self-Tapping Screw 10-24 x 1/2 Phil. Truss Hd.	2
5	00-787275-00001	Flash Tube	1
6	00-417608-00001	Burner Head	1
7	00-730228	Self-Tapping Screw 10-24 x 1/2 Phil. Truss Hd.	1
8	00-413302-00001	Clip - Pilot Mounting	1



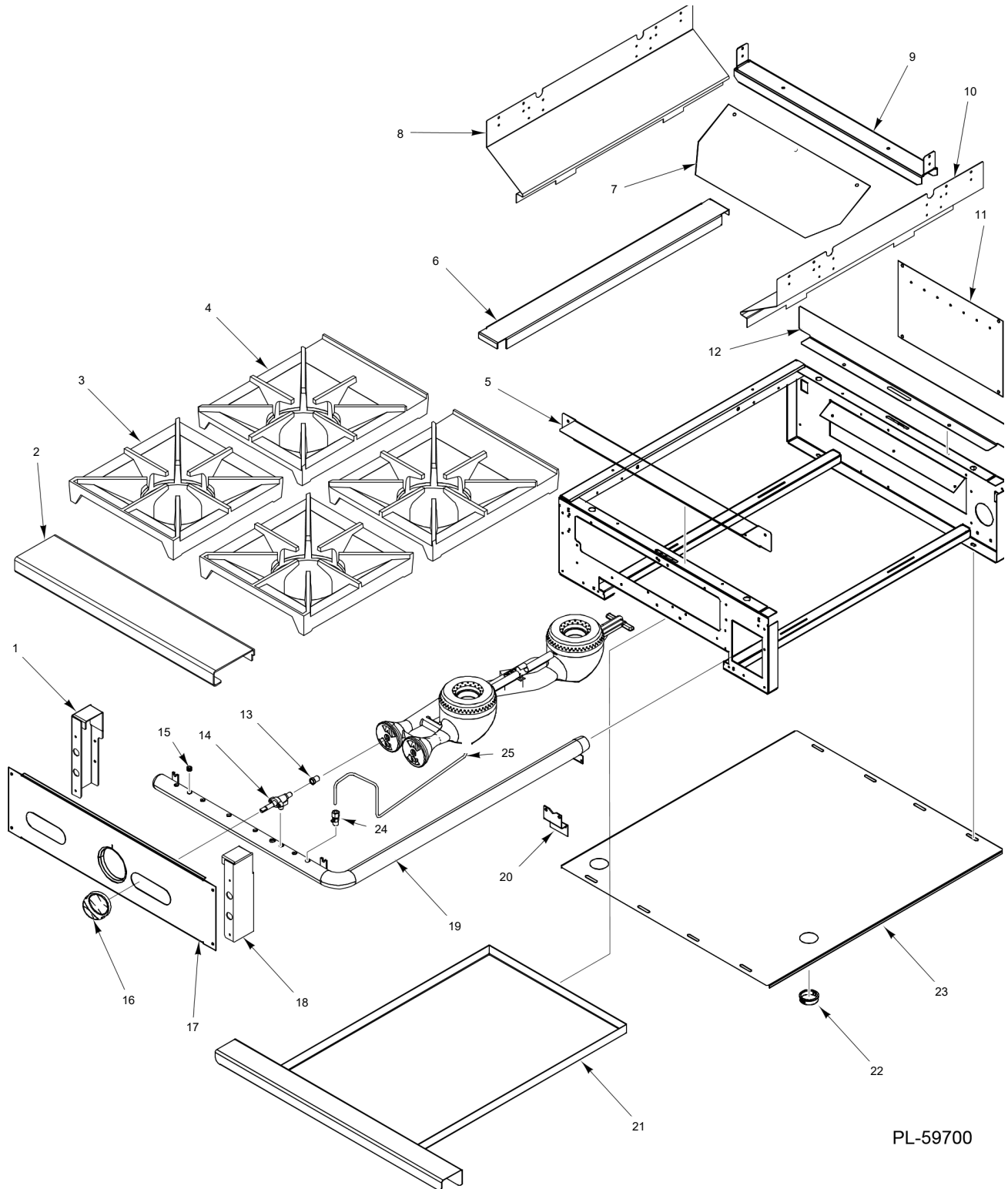
PL-59697

**OPEN TOP BURNER MODULE
(12 INCH)**

**OPEN TOP BURNER MODULE
(12 INCH)**

ILLUS.	PART NO.	NAME OF PART	AMT.
PL-20339			
1	00-921884-00012	Bull Nose (12 In.)	1
2	00-925000	Grate - Front	0
3	00-925001	Grate - Rear	0
4	00-925015	Drip Pan Guide	1
5	00-924006	Burner Support	1
6	00-925015	Drip Pan Guide	1
7	00-921782	Shield - Rear	1
8	00-921886-00012	Shield - Front	1
*9		Cap.....	1
10	00-719221	Valve - Manual	1
11	00-921883	Bracket - Manifold Cover (LH)	1
12	00-428300-00001	Knob	1
13	00-921885-00012	Cover - Gas Manifold	1
14	00-921882	Bracket - Manifold Cover (RH)	1
15	00-922146-0000A	Manifold	1
16	00-719189	Valve - Manual Griddle	1
17	00-921107-0000A	Pilot Tube/Tip Assy.	1
18	00-923011	Support - Insulation	1
19	00-924009-0000A	Tray - Crumb	1

* (See Orifice Chart)



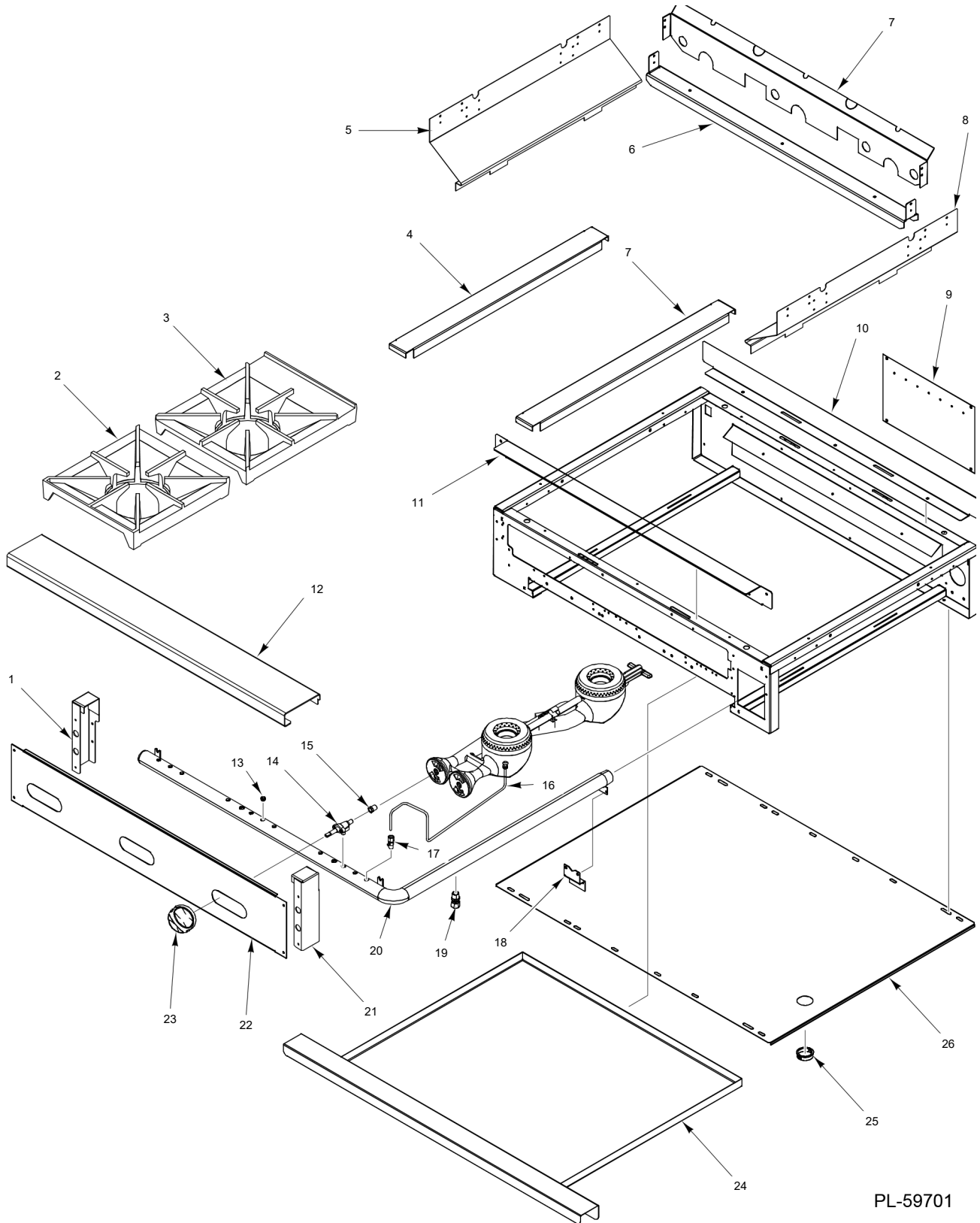
PL-59700

**OPEN TOP BURNER MODULE
(24 INCH)**

OPEN TOP BURNER MODULE (24 INCH)

ILLUS.	PART NO.	NAME OF PART	AMT.
PL-20340			
1	00-921883	Bracket - Manifold Cover (LH)	1
2	00-921884-00024	Bull Nose (24 In.)	1
3	00-925000	Grate - Front	2
4	00-925001	Grate - Rear	2
5	00-921886-00024	Bracket - Front Top	1
6	00-921794	Support - Grate	1
7	00-924515	Deflector - Rear	1
8	00-925015	Drip Pan Guide	1
9	00-924516	Support - Burner	1
10	00-925015	Drip Pan Guide	1
11	00-921410	Cover - Flue	1
12	00-924518	Heat Shield Rear	1
*13		Cap.....	1
14	00-719221	Valve - Manual	1
15	00-719370	Plug	1
16	00-428300-00001	Knob	0
17	00-921885-00024	Cover - Gas Manifold	1
18	00-921882	Bracket - Manifold Cover (RH)	1
19	00-922145-0000A	Manifold	1
20	00-922125	Bracket	1
21	00-924510-0000A	Weldment - Crumb Tray	1
22	2240-2241	Grommet	1
23	00-923518	Support - Insulation	1
24	00-719189	Valve - Single Pilot.....	1
25	00-921107-0000A	Pilot Tube/Tip Assy.	1

* (See Orifice Chart)



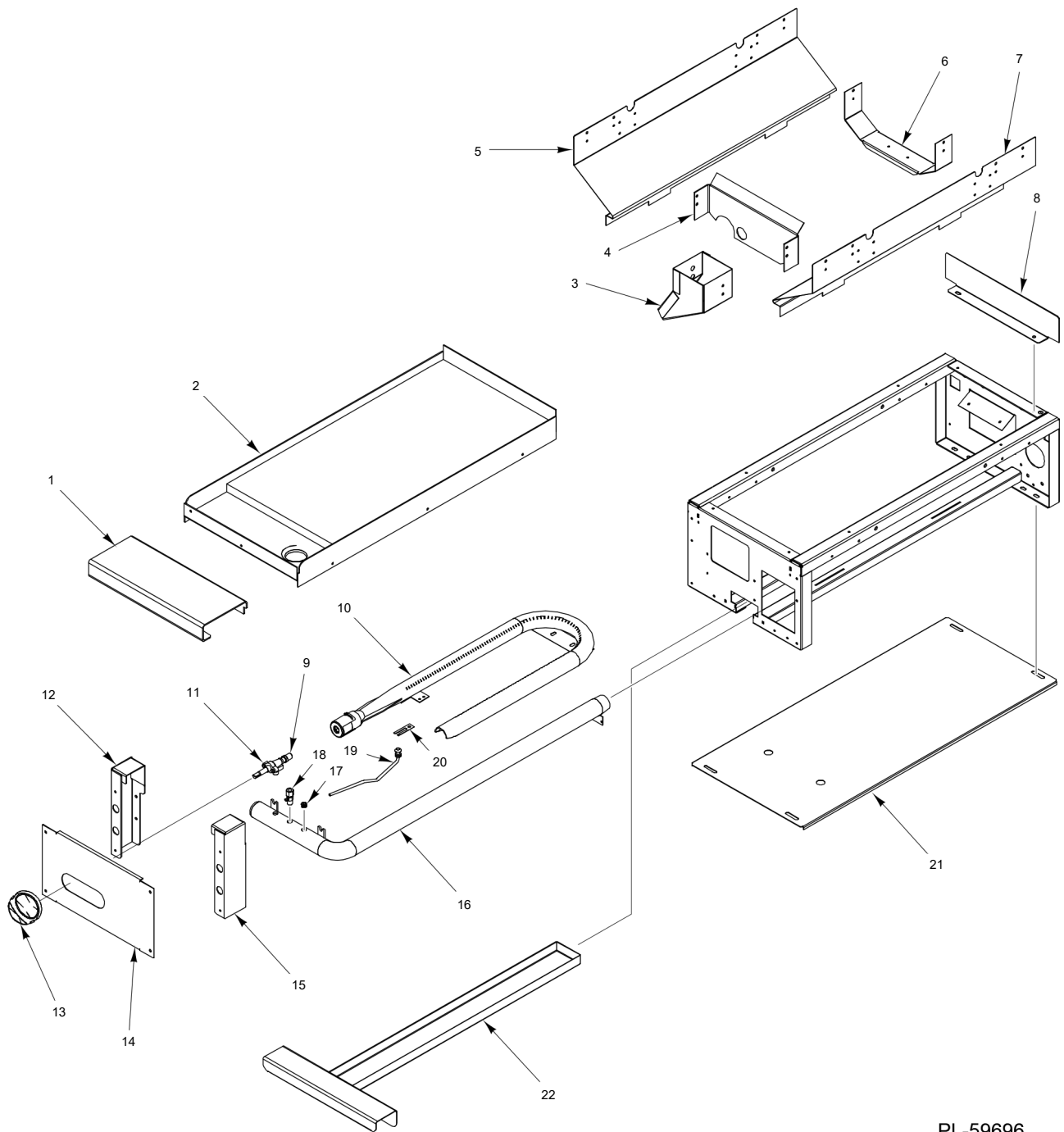
PL-59701

**OPEN TOP BURNER MODULE
(36 INCH)**

**OPEN TOP BURNER MODULE
(36 INCH)**

ILLUS.	PART NO.	NAME OF PART	AMT.
PL-20341			
1	00-921883	Bracket - Manifold Cover (LH)	1
2	00-925000	Grate - Front	2
3	00-925001	Grate - Rear	2
4	00-921794	Support - Grate	1
5	00-925015	Drip Pan Guide	1
6	00-925035	Deflector - Rear	1
7	00-921794	Support - Grate	1
8	00-925015	Drip Pan Guide	1
9	00-921410	Cover - Flue	1
10	00-921148	Heat Shield Rear	1
11	00-921886	Bracket - Front Top	1
12	00-921884-00036	Bull Nose (36 In.)	1
13	00-719370	Plug	0
14	00-719221	Valve - Manual	1
*15		Cap.....	1
16	00-921107-0000A	Pilot Tube/Tip Assy.	1
17	00-719189	Valve - Single Pilot.....	1
18	00-922125	Bracket	1
19	FP-085-42	Fitting - Tube (7/16 TBG X 3/8 MPT)	1
20	00-922144-0000A	Manifold	1
21	00-921882	Bracket - Manifold Cover (RH)	1
22	00-921885-00036	Cover - Gas Manifold	1
23	00-428300-00001	Knob	0
24	00-921044-0000A	Weldment - Crumb Tray	1
25	2240-2241	Grommet	1
26	00-922006	Support - Insulation	0

* (See Orifice Chart)



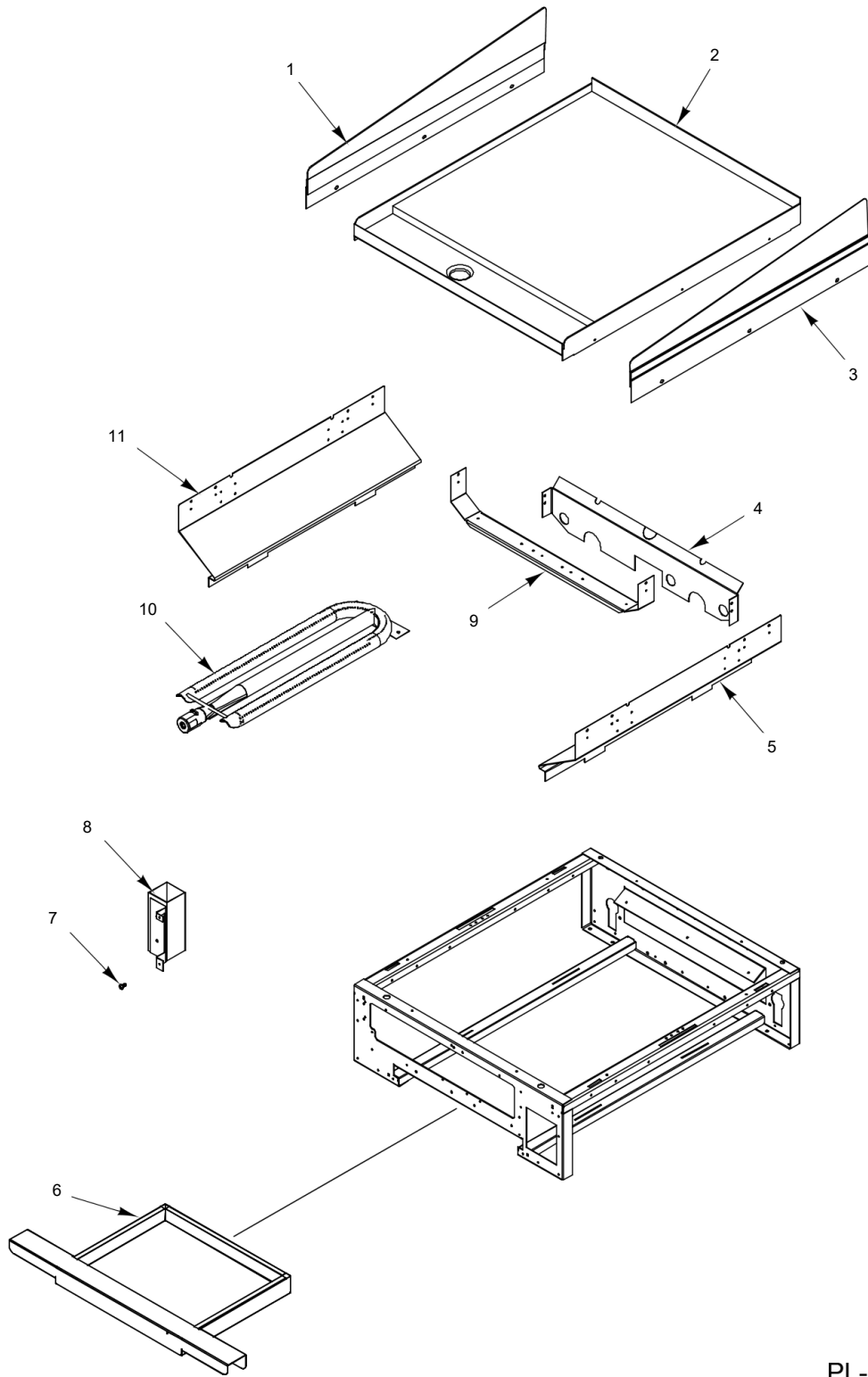
PL-59696

GRIDDLE TOP MODULE (12 INCH)

GRIDDLE TOP MODULE (12 INCH)

ILLUS.	PART NO.	NAME OF PART	AMT.
PL-20342			
1	00-921884-00012	Bull Nose (12 In.)	1
2	00-924012-0000A	Griddle Assy.	1
3	00-924016-0000A	Grease Chute Assy.	1
4	00-924028	Heat Shield (12 In.) (Griddle).....	1
5	00-925015	Drip Pan Guide	1
6	00-924019	Support - Burner	1
7	00-925015	Drip Pan Guide	1
8	00-921782	Shield - Rear	1
*9		Cap.....	1
10	00-924020-0000A	Burner - Griddle XL	1
11	00-497240	Valve - Manual Griddle	1
12	00-921883	Bracket - Manifold Cover (LH)	1
13	00-428300-00001	Knob	1
14	00-921885-00012	Cover - Gas Manifold	1
15	00-921882	Bracket - Manifold Cover (RH)	1
16	00-922146-0000A	Manifold	1
17	00-719370	Plug	1
18	00-719189	Valve - Single Pilot.....	1
19	00-428915-00001	Griddle Pilot Tube/Tip Assy.	1
20	00-413302-00001	Clip - Pilot Mounting	1
21	00-923011	Support - Insulation	1
22	00-924009-0000A	Tray - Crumb	1

* (See Orifice Chart)

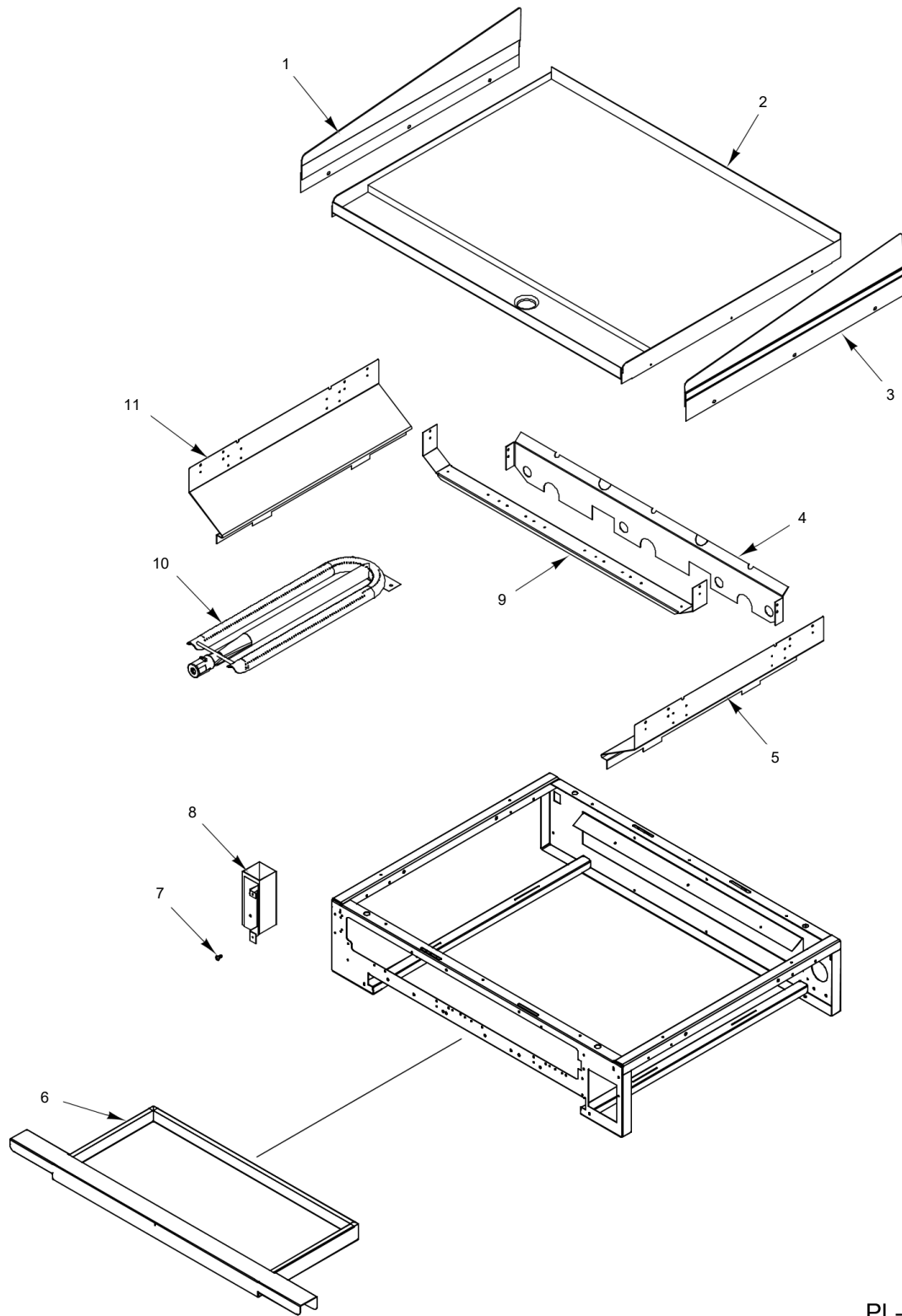


PL-59698

**GRIDDLE TOP MODULE
(24 INCH)**

**GRIDDLE TOP MODULE
(24 INCH)**

ILLUS.	PART NO.	NAME OF PART	AMT.
PL-20343			
1	00-926527-0000A	Splash Assy. - Outer (LH)	1
2	00-924511-0000A	Griddle Plate Assy. (24 In.)	1
3	00-926513-0000A	Splash Assy. - Outer (RH)	1
4	00-921783	Heat Shield (T-Stat Griddle)	1
5	00-925015	Drip Pan Guide	1
6	00-921473-0000A	Tray - Crumb	1
7	00-730228	Self-Tapping Screw 10-24 x 1/2 Phil. Truss Hd.	0
8	00-926519-0000A	Grease Chute Assy.	1
9	00-924503	Burner Support	2
10	00-926509-0000A	Burner - Griddle XL	2
11	00-925015	Drip Pan Guide	1

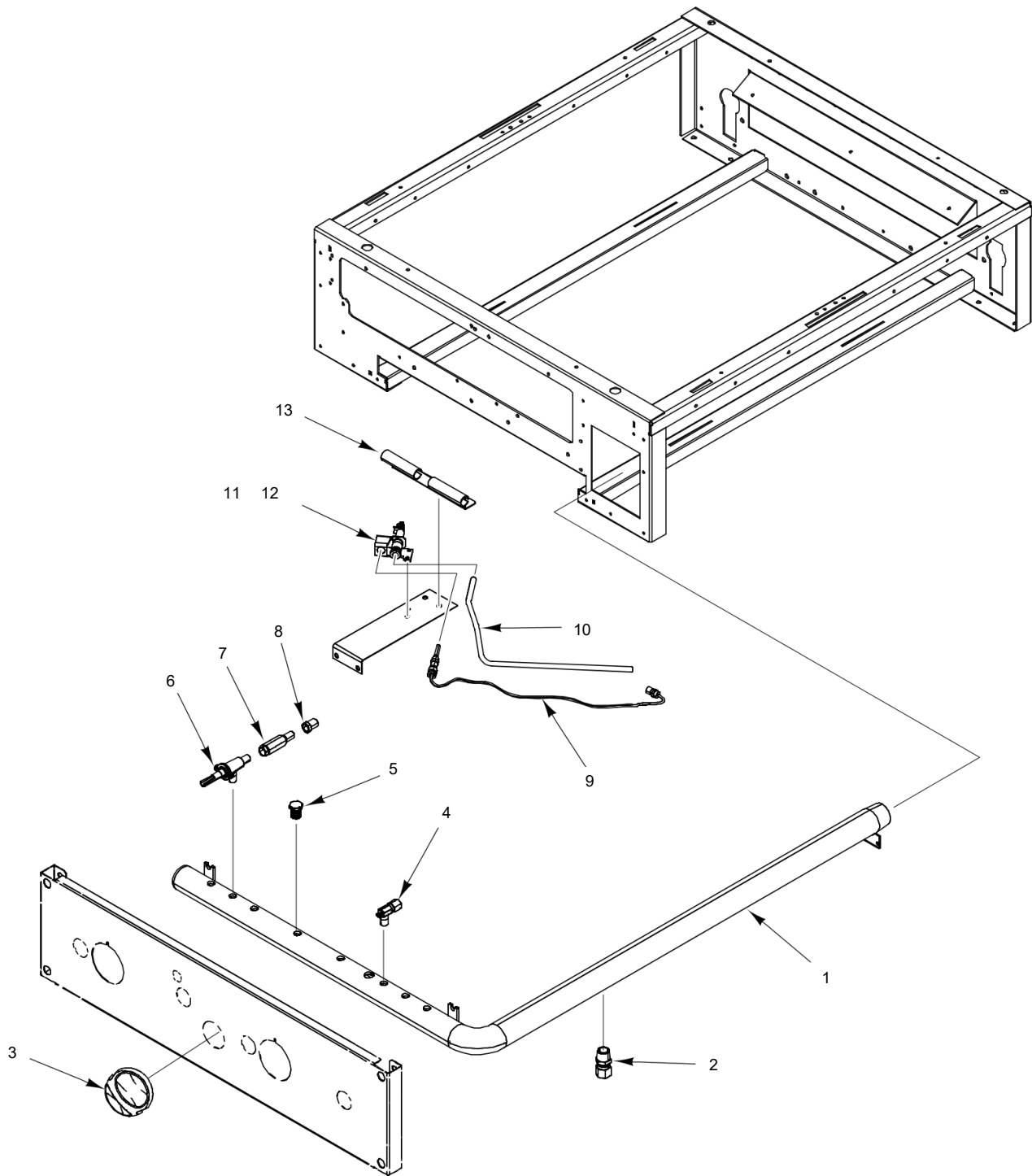


PL-59699

**GRIDDLE TOP MODULE
(36 INCH)**

**GRIDDLE TOP MODULE
(36 INCH)**

ILLUS.	PART NO.	NAME OF PART	AMT.
PL-20344			
1	00-926527-0000A	Splash Assy. - Outer (LH)	1
2	00-926500-0000A	Griddle Plate Assy. (36 In.)	1
3	00-926513-0000A	Splash Assy. - Outer (RH)	1
4	00-926504	Heat Shield (T-Stat Griddle)	1
5	00-925015	Drip Pan Guide	1
6	00-921471-0000A	Tray - Crumb	1
7	00-730228	Self-Tapping Screw 10-24 x 1/2 Phil. Truss Hd.	0
8	00-926519-0000A	Grease Chute Assy.	1
9	00-925013	Burner Support	2
10	00-926509-0000A	Burner - Griddle XL	3
11	00-925015	Drip Pan Guide	1



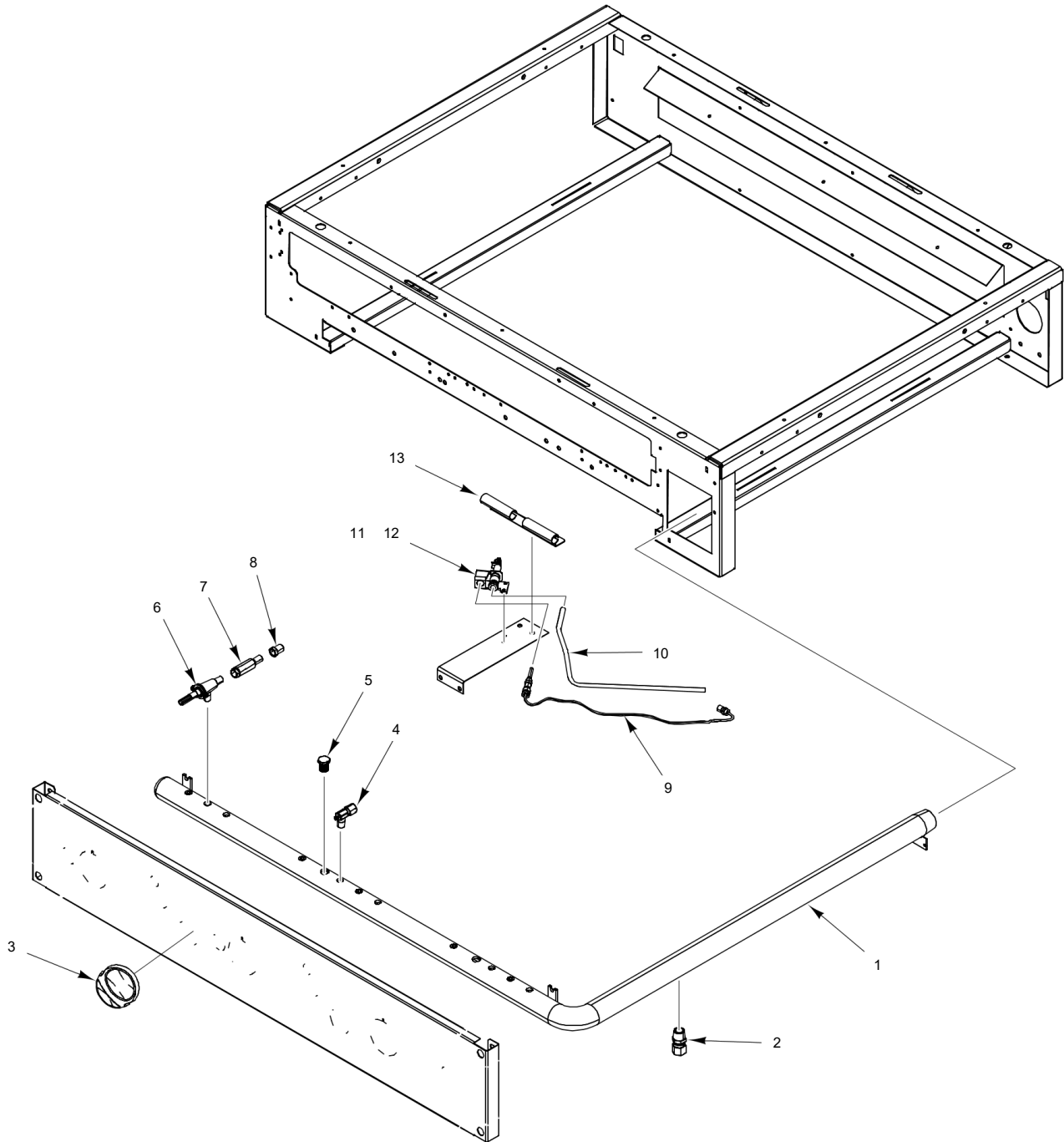
PL-59719

**GRIDDLE MANIFOLD AND VALVES
(24 INCH)**

**GRIDDLE MANIFOLD AND VALVES
(24 INCH)**

ILLUS.	PART NO.	NAME OF PART	AMT.
PL-20345			
1	00-922145-0000A	Manifold	1
2	FP-085-42	Fitting - Tube (7/16 TBG X 3/8 MPT)	1
3	00-428300-00001	Knob	3
4	00-404193-00001	Valve - Pilot	1
5	00-719371	Plug	0
6	00-497240-00001	Valve - Manifold (Griddle).....	3
7	00-926523	Valve - Extension	3
*8		Hood - Valve.....	3
9	00-412788-00020	Thermocouple	1
10	00-426505-00012	Tubing - Pilot Flex 1/4 O.D. x 12 In.	1
11	00-426262-00001	Pilot Assy. (NAT)	1
12	00-426262-00002	Pilot Assy. (LP)	1
13	00-921074	Flash Tube - Griddle	1

* (See Orifice Chart)



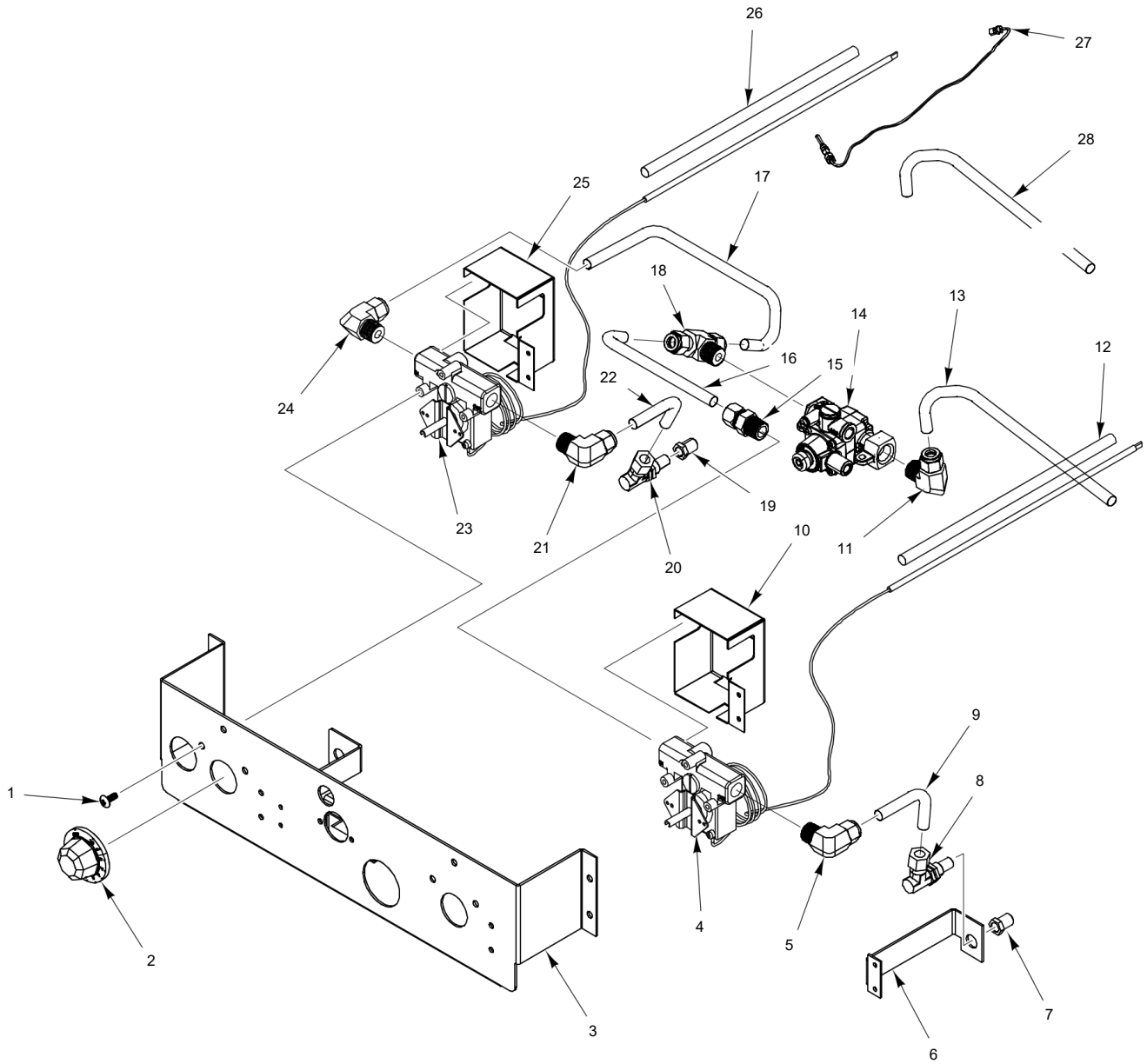
PL-59704

**GRIDDLE MANIFOLD AND VALVES
(36 INCH)**

**GRIDDLE MANIFOLD AND VALVES
(36 INCH)**

ILLUS.	PART NO.	NAME OF PART	AMT.
PL-20346			
1	00-922144-0000A	Manifold	1
2	FP-085-42	Fitting - Tube (7/16 TBG X 3/8 MPT)	1
3	00-428300-00001	Knob	3
4	00-404193-00001	Valve - Pilot	2
5	00-719371	Plug	0
6	00-497240-00001	Valve - Manifold	3
7	00-926523	Valve - Extension	3
*8		Hood - Valve.....	3
9	00-412788-00020	Thermocouple	2
10	00-426505-00012	Tubing - Pilot Flex 1/4 O.D. x 12 In.	2
11	00-426262-00001	Pilot Assy. (NAT)	2
12	00-426262-00002	Pilot Assy. (LP)	2
13	00-921074	Flash Tube - Griddle	2

* (See Orifice Chart)



PL-59706

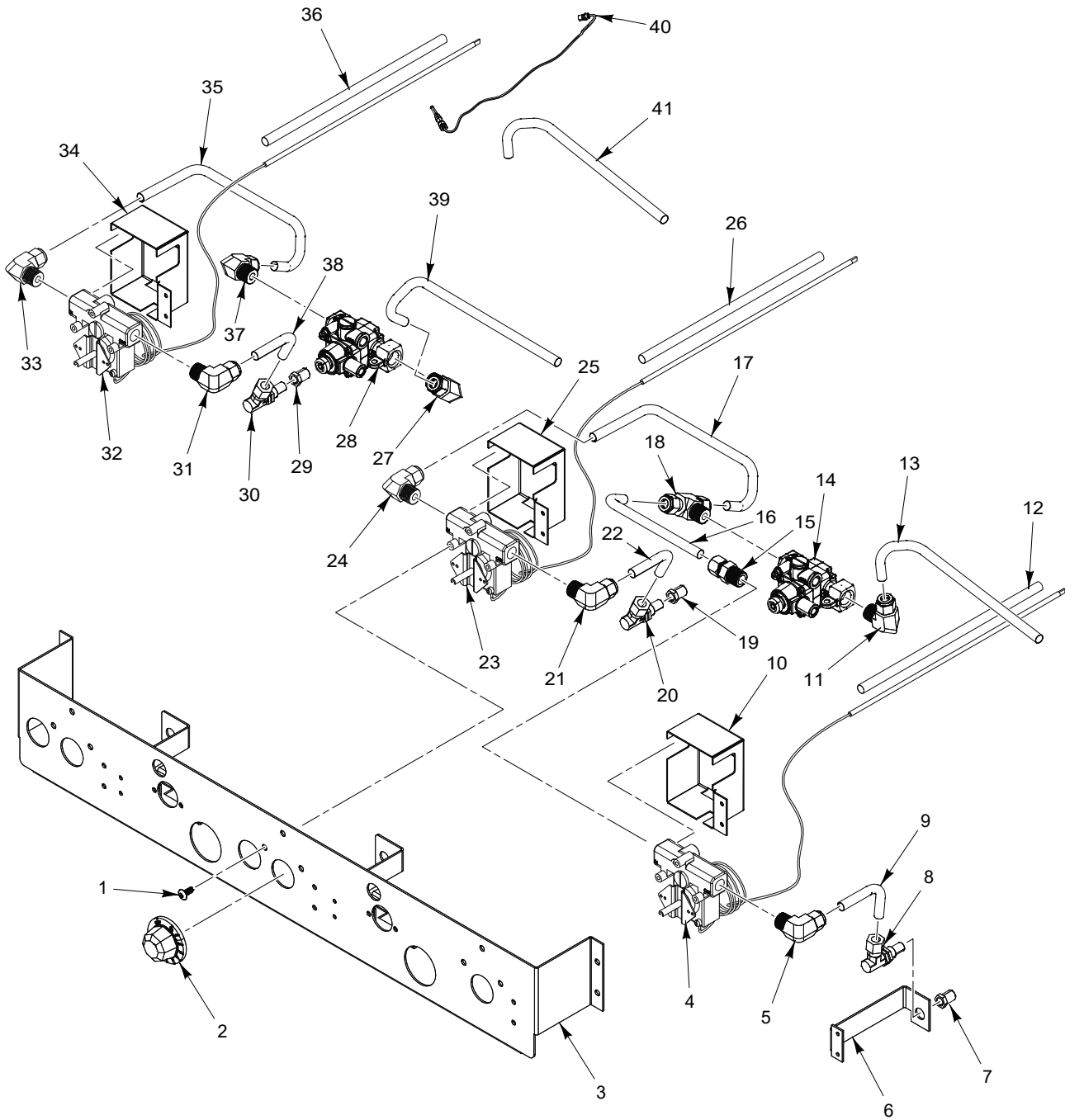
**THERMOSTAT GRIDDLE CONTROL ASSEMBLY
(24 INCH)**

**THERMOSTAT GRIDDLE CONTROL ASSEMBLY
(24 INCH)**

ILLUS.	PART NO.	NAME OF PART	AMT.
PL-20348			
1	00-730228	Self-Tapping Screw 10-24 x 1/2 Phil. Truss Hd.	6
2	00-498086-00007	Knob - Griddle	2
3	00-922191-0000A	Weldment - Control Panel	1
4	00-498096-00550	Valve (550F) T-Stat Combo	1
5	00-719376	Elbow 3/8 x 3/8	1
6	00-921071	Bracket - Right Orifice	1
*7		Orifice.....	1
8	00-719383	Elbow 3/8 Orifice	1
9	00-928037	Flex Tubing (3/8 x 5 In. GS-Nozzle)	1
10	00-921167	GS Cover	1
11	00-719376	Elbow 3/8 x 3/8	1
12	00-719566	Sleeving - Silicon	1
13	00-722221	Flex Tubing (3/8 x 12 In.)	1
14	00-922203	Valve - Safety (WP22K-2511-2-1)	1
15	00-719377	Connector - Straight 3/8 x 3/8 (Brass)	1
16	00-722425	Tube - Flex (3/8 x 8 In.)	1
17	00-722221	Flex Tubing (3/8 x 12 In.)	1
18	00-498028	Tee 3/8 Male Compression	1
*19		Orifice.....	1
20	00-719383	Elbow 3/8 Orifice	1
21	00-719376	Elbow 3/8 x 3/8	1
22	00-928037	Flex Tubing (3/8 x 5 In. GS-Nozzle)	1
23	00-498096-00550	Valve (550F) T-Stat Combo	1
24	00-719376	Elbow 3/8 x 3/8	1
25	00-921167	GS Cover	1
26	00-719566	Sleeving - Silicon	1
27	00-412788-00020	Thermocouple	1
28	00-426505-00012	Tubing - Pilot Flex 1/4 O.D. x 12 In.	1

* (See Orifice Chart)

42 Pilot Assy. (NAT) (Before January 2019)
 43 Pilot Assy. (LP) (Before January 2019)
 44 Kit, Pilot Assembly (NAT) (T Shaped)
 45 Pilot Orifice (LP)
PARTS NOT ILLUSTRATED



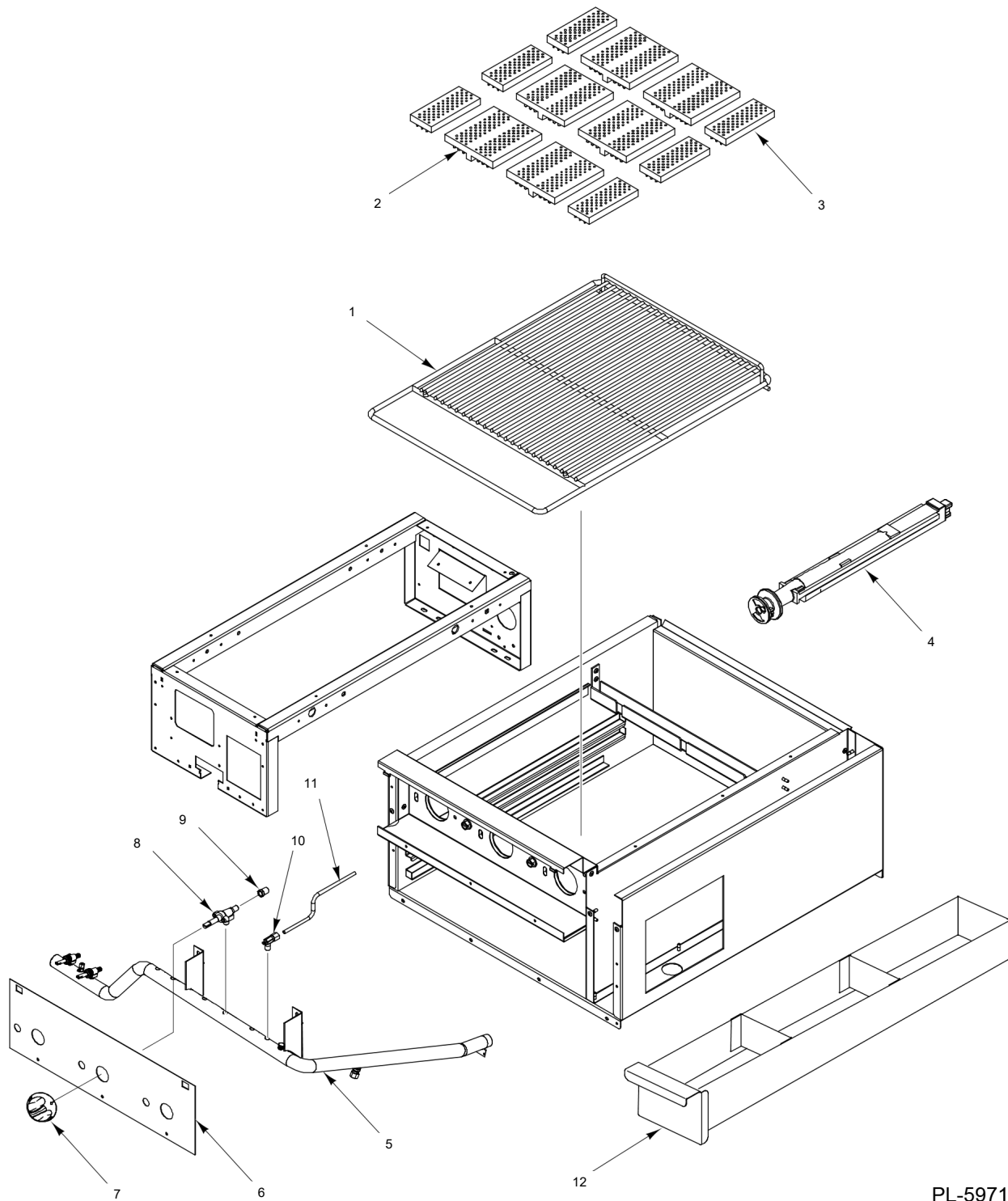
**THERMOSTAT GRIDDLE CONTROL ASSEMBLY
 (36 INCH)**

PL-59705

THERMOSTAT GRIDDLE CONTROL ASSEMBLY (36 INCH)

ILLUS.	PART NO.	NAME OF PART	AMT.
PL-20349			
1	00-730228	Self-Tapping Screw 10-24 x 1/2 Phil. Truss Hd.	9
2	00-498086-00007	Knob - Griddle	3
3	00-922186-0000A	Weldment - Control Panel	1
4	00-498096-00550	Valve (550F) T-Stat Combo	1
5	00-719376	Elbow 3/8 x 3/8	1
6	00-921071	Bracket - Right Orifice	1
*7		Orifice.....	1
8	00-719383	Elbow 3/8 Orifice	1
9	00-928037	Flex Tubing (3/8 x 5 In. GS-Nozzle)	1
10	00-921167	GS Cover	1
11	00-719376	Elbow 3/8 x 3/8	1
12	00-719566	Sleeving - Silicon	1
13	00-722221	Flex Tubing (3/8 x 12 In.)	1
14	00-922203	Valve - Safety (WP22K-2511-2-1)	1
15	00-719377	Connector - Straight 3/8 x 3/8 (Brass)	1
16	00-722425	Tube - Flex (3/8 x 8 In.)	1
17	00-722221	Flex Tubing (3/8 x 12 In.)	1
18	00-498028	Tee 3/8 Male Compression	1
*19		Orifice.....	1
20	00-719383	Elbow 3/8 Orifice	1
21	00-719376	Elbow 3/8 x 3/8	1
22	00-928037	Flex Tubing (3/8 x 5 In. GS-Nozzle)	1
23	00-498096-00550	Valve (550F) T-Stat Combo	1
24	00-719376	Elbow 3/8 x 3/8	1
25	00-921167	GS Cover	1
26	00-719566	Sleeving - Silicon	1
27	00-719376	Elbow 3/8 x 3/8	1
28	00-922203	Valve - Safety (WP22K-2511-2-1)	1
*29		Orifice.....	1
30	00-719383	Elbow 3/8 Orifice	1
31	00-719376	Elbow 3/8 x 3/8	1
32	00-498096-00550	Valve (550F) T-Stat Combo	1
33	00-719376	Elbow 3/8 x 3/8	1
34	00-921167	GS Cover	1
35	00-722221	Flex Tubing (3/8 x 12 In.)	1
36	00-719566	Sleeving - Silicon	1
37	00-719376	Elbow 3/8 x 3/8	1
38	00-928037	Flex Tubing (3/8 x 5 In. GS-Nozzle)	1
39	00-412788-00020	Thermocouple	1
40	00-412788-00020	Thermocouple	2
41	00-426505-00012	Tubing - Pilot Flex 1/4 O.D. x 12 In.	2
42	00-426262-00001	Pilot Assy. (NAT) (Before January 2019).....	AR
43	00-426262-00002	Pilot Assy. (LP) (Before January 2019).....	AR
44	00-976687-0SERV	Kit, Pilot Assembly (NAT) (T Shaped).....	AR
45	00-961961	Pilot Orifice (LP) (Order with item 44).....	AR

* (See Orifice Chart)



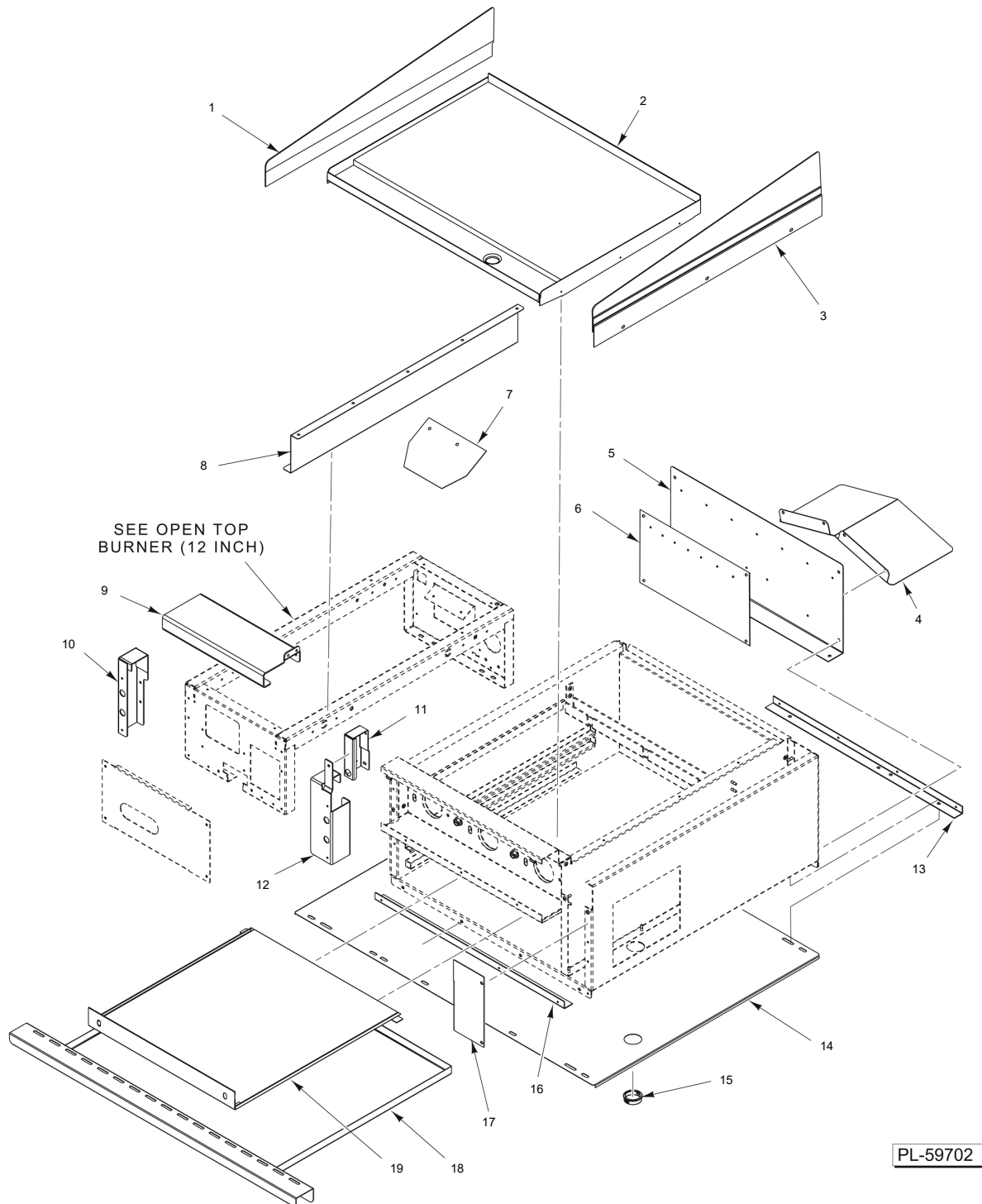
PL-59710

GRIDDLE/BROILER BURNER AND MANIFOLD

GRIDDLE/BROILER BURNER AND MANIFOLD

ILLUS.	PART NO.	NAME OF PART	AMT.
PL-20350			
1	00-417632-00001	Rack - Broiler Griddle	1
2	00-404145-00001	Broiler Brick - Center	6
3	00-417698-00001	Broiler Brick - Side	6
4	00-411684-000G1	Burner (Griddle/Broiler).....	3
5	00-922210-0000A	Manifold Weldment	1
6	00-927679	Panel	1
7	00-497246-00001	Knob - Griddle/Broiler	3
8	00-497240-00001	Valve - Manifold	3
*9		Valve Hood.....	3
10	00-404193-00001	Valve - Pilot	3
11	00-497062-000G1	Tube Assy. - Pilot (Broiler (260)	3
12	00-927680-0000A	Can Assy. - Grease	1

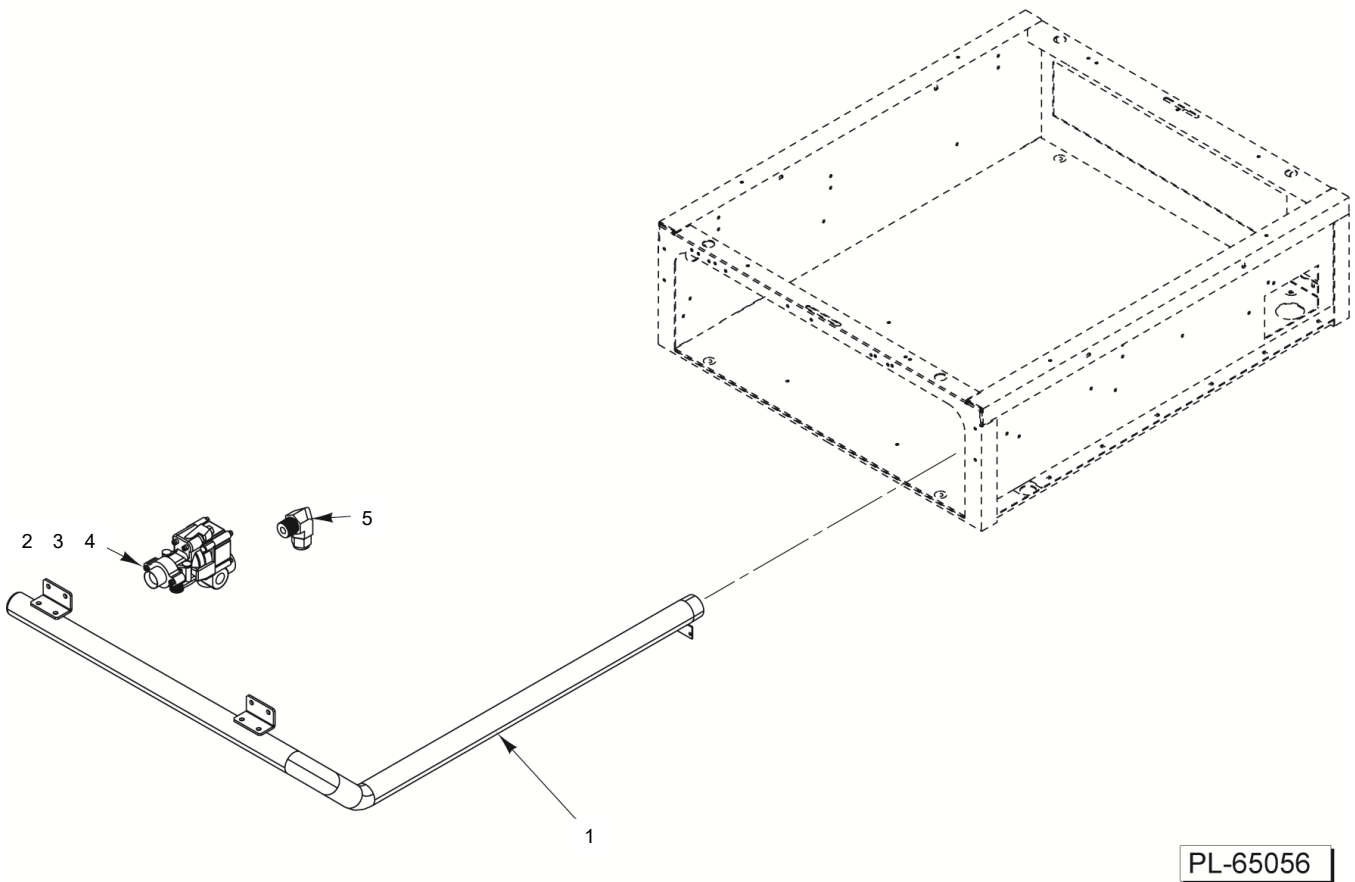
*(See Orifice Chart)



GRIDDLE/BROILER PANELS

GRIDDLE/BROILER PANELS

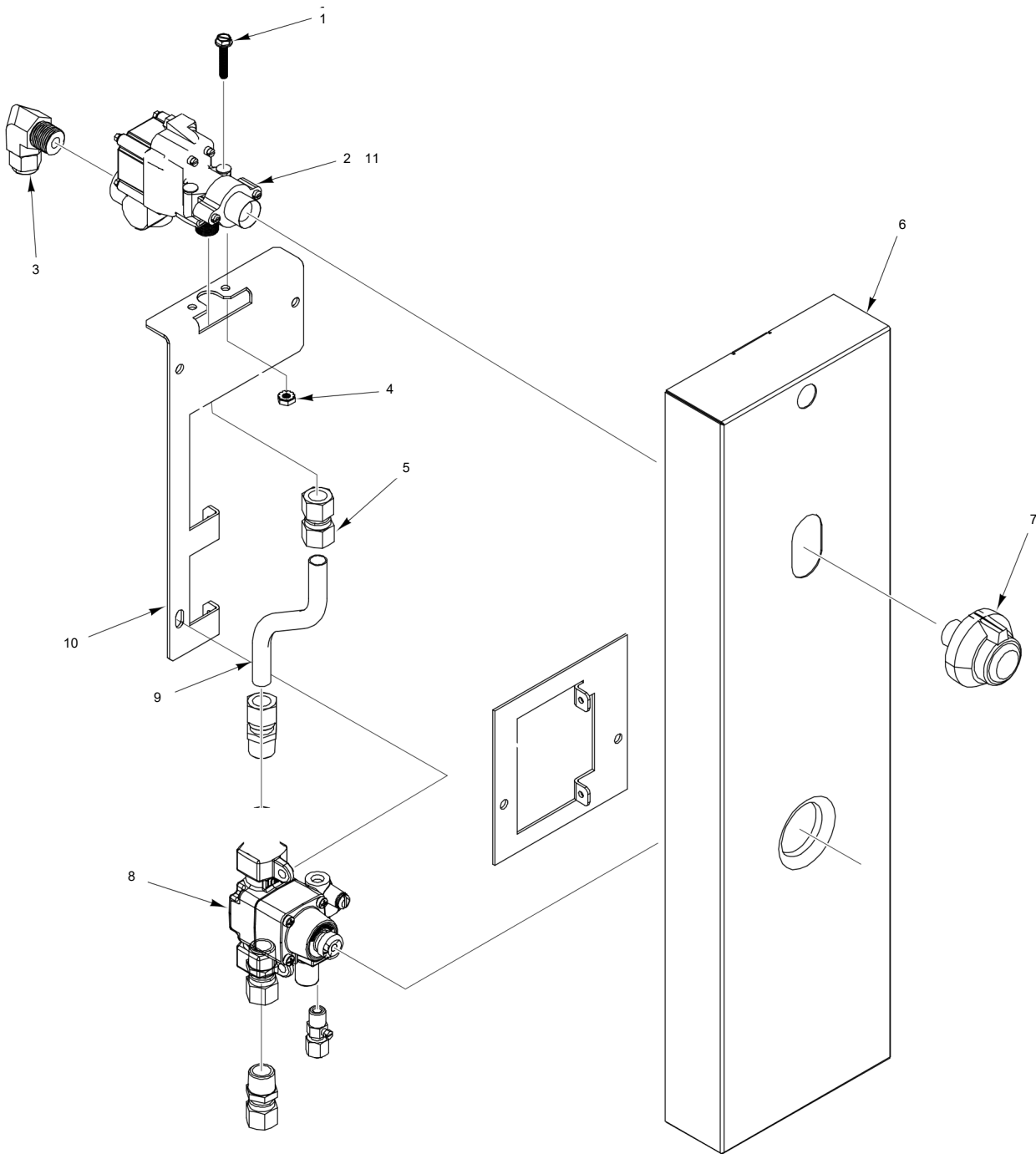
ILLUS.	PART NO.	NAME OF PART	AMT.
PL-20351			
1	00-926527-0000A	Splash Assy. - Outer (LH)	1
2	00-927673-0000A	Griddle Plate Assy.	1
3	00-926513-0000A	Splash Assy. - Outer (RH)	1
4	00-921093	Guard - Motor	1
5	00-921529	Bracket - Convection Oven	1
6	00-921410	Cover - Flue	1
7	00-924022	Deflector - OTB Module (12 In.)	1
8	00-927672	Panel - Griddle/Broiler	1
9	00-921884-012GB	Bull Nose Griddle Broiler (12 In.)	1
10	00-921882	Bracket - Manifold Cover (RH)	1
11	00-927676	Support - Bracket	1
12	00-921889	Support - Bracket	1
13	00-927686	Bracket	1
14	00-922006	Support - Insulation	1
15	2240-2241	Grommet	1
16	00-927686	Bracket	1
17	00-927678	Panel	1
18	00-921247-0000A	Crumb Tray Assy.	1
19	00-417669-000G1	Tray Weldment - Drip (Broiler)	1



**STANDARD OVEN CONTROL
(24 INCH)**

**STANDARD OVEN CONTROL
(24 INCH)**

ILLUS.	PART NO.	NAME OF PART	AMT.
PL-29511			
1	00-921356-0000A	Manifold	1
2	00-922021	Thermostat	1
3	00-498356	Pipe - Flanged Thermostat Mount	1
4	00-922046-00024	Knob - Adjustable (BJ Valve)	1
5	00-922015	Elbow	1

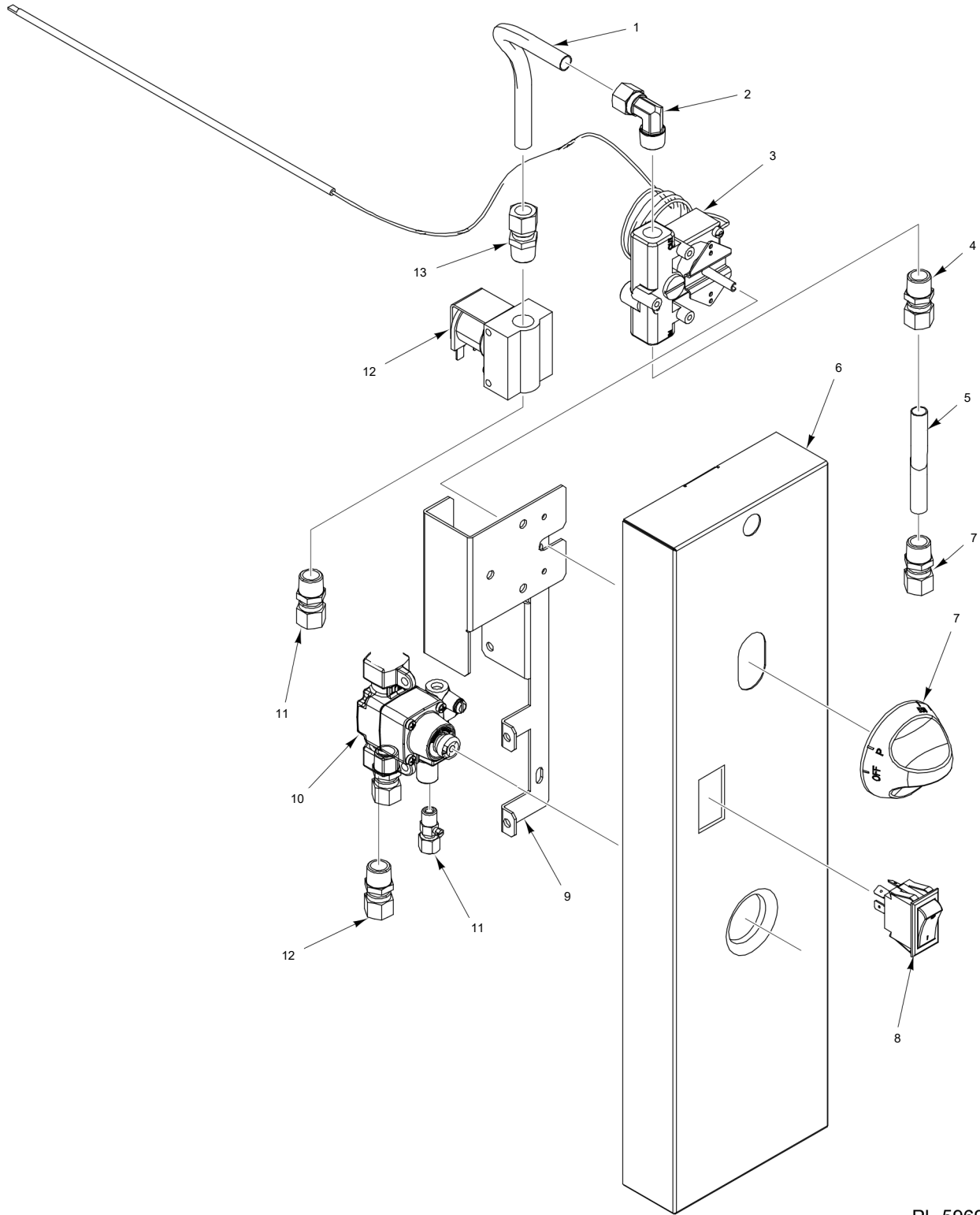


PL-59690

**STANDARD OVEN CONTROL
(30 INCH)**

**STANDARD OVEN CONTROL
(30 INCH)**

ILLUS.	PART NO.	NAME OF PART	AMT.
PL-20352			
1	00-922019	Screw 10-24 x 1	2
2	00-922020	BJ Thermostat	1
3	00-922015	Elbow	1
4	00-730534	Nut 10-24 Hex KEPS	2
5	00-922017	Fitting 1/8 x 7/16	1
6	00-922179	Panel - Control (Standard)	1
7	00-922046	Knob - Adjustable BJ Thermostat	1
8	00-922160-0000A	Valve Assy. - Safety	1
	00-412788-00004	Thermocouple - 48" Lg.	1
9	00-426508-00008	Flex Tubing (8 In.)	1
10	00-922178	Bracket - Controller	1
11	00-498356	Pipe - Flanged Thermostat Mount	1

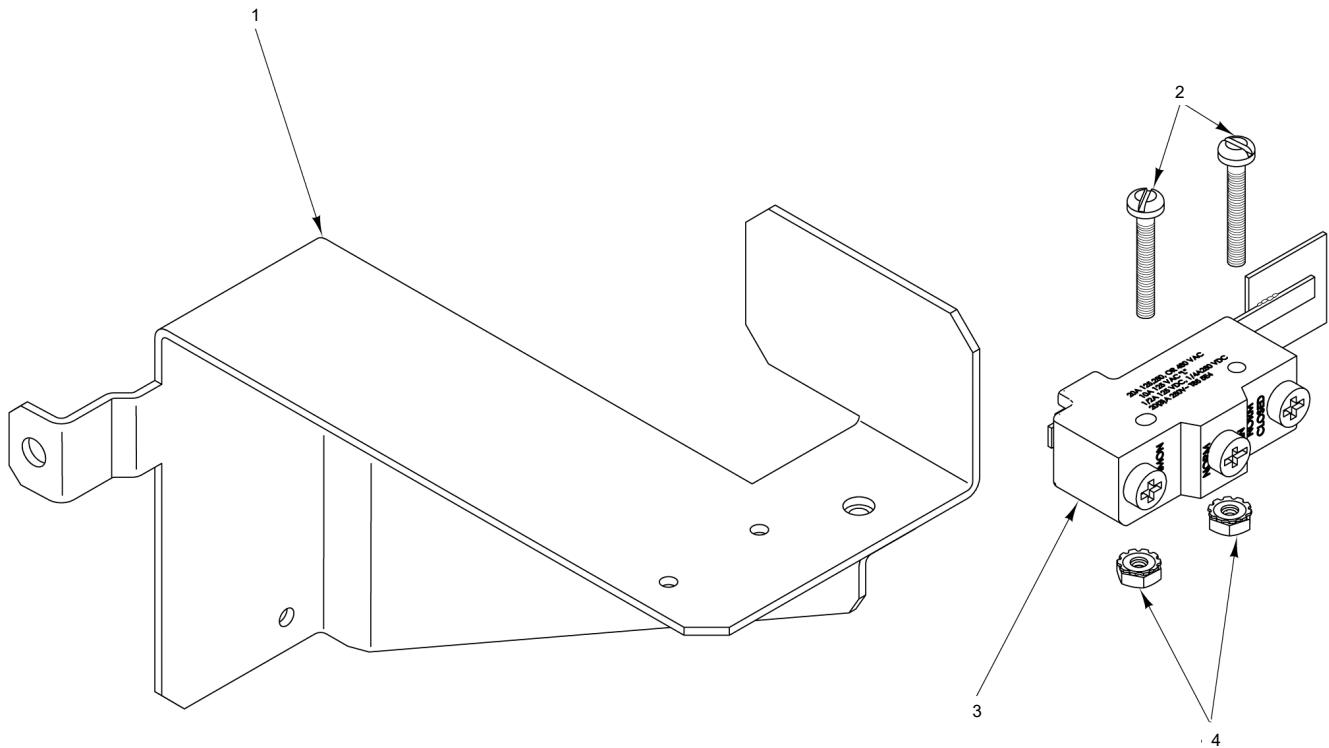


PL-59691

**CONVECTION OVEN CONTROL
(30 INCH)**

CONVECTION OVEN CONTROL (30 INCH)

ILLUS.	PART NO.	NAME OF PART	AMT.
PL-20353			
1	00-426508-00008	Flex Tubing (8 In.)	1
2	FP-085-68	Fitting- Elbow (7/16 TBG X 3/8 MPT)	1
3	00-498096-00550	Valve (550F) T-Stat Combo	1
4	FP-085-42	Fitting - Tube (7/16 TBG X 3/8 MPT)	1
5	00-426508-00008	Flex Tubing (8 In.)	1
6	00-921369	Panel - Control (Convection)	1
7	00-921686	Knob - Gas Valve	1
8	00-921528	Switch - Rocker	1
9	00-922180	Bracket - Mounting	1
10	00-922160-0000A	Valve Assy. - Safety	1
	00-412788-00004	Thermocouple - 48" Lg.	1
11	FP-085-42	Fitting - Tube (7/16 TBG X 3/8 MPT)	1
12	00-770085-00002	Solenoid	1
13	FP-085-42	Fitting - Tube (7/16 TBG X 3/8 MPT)	1

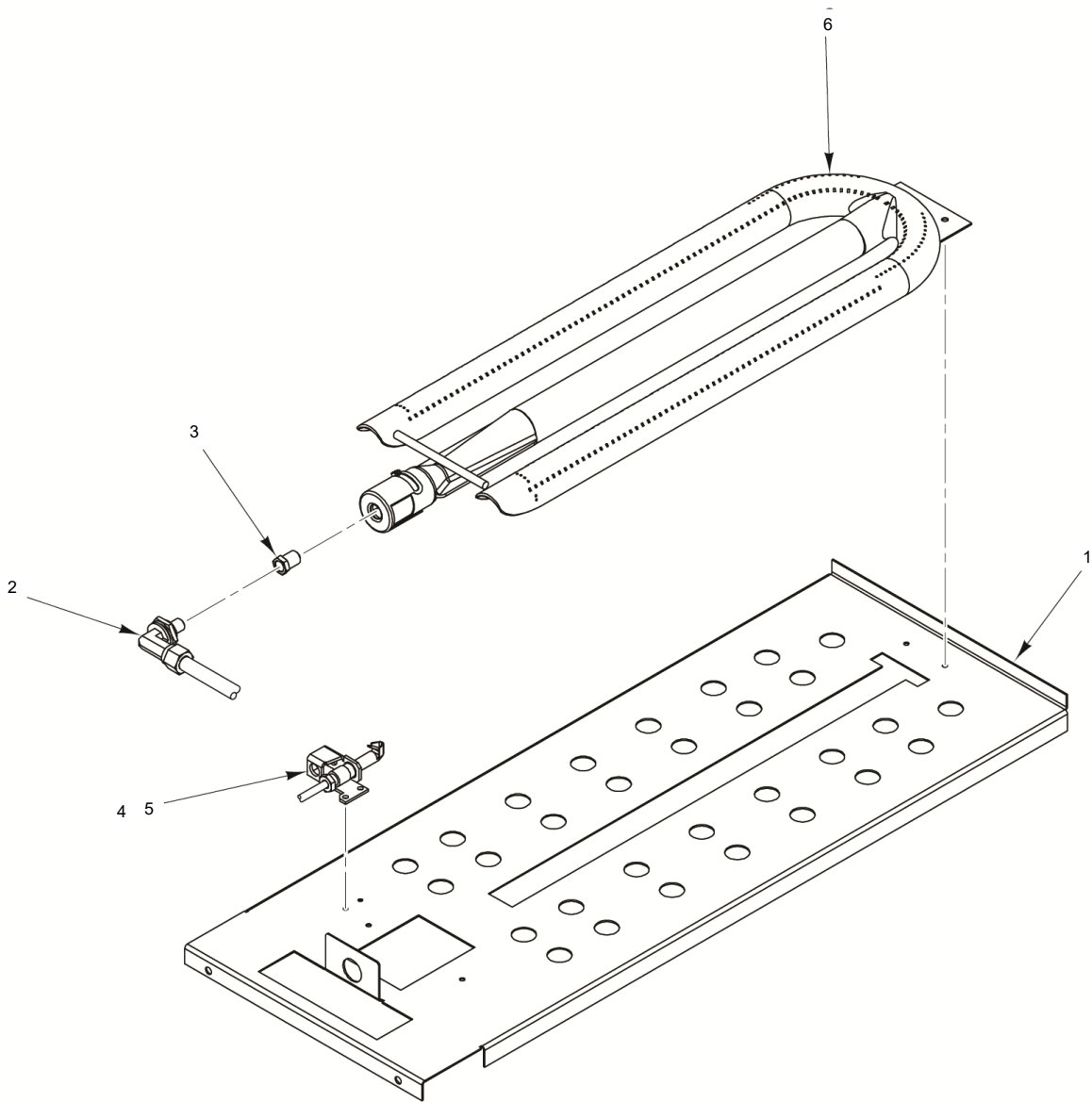


PL-59689

DOOR SWITCH ASSEMBLY

DOOR SWITCH ASSEMBLY

ILLUS.	PART NO.	NAME OF PART	AMT.
PL-20354			
1	00-922181	Bracket - Door Switch	1
2	00-730058	Mach. Screw 6-32 x 1 Phil. Pan Hd.	2
3	00-922878-0000A	Switch Assy.	1
4	00-730535	Nut 6-32 Hex KEPS	2



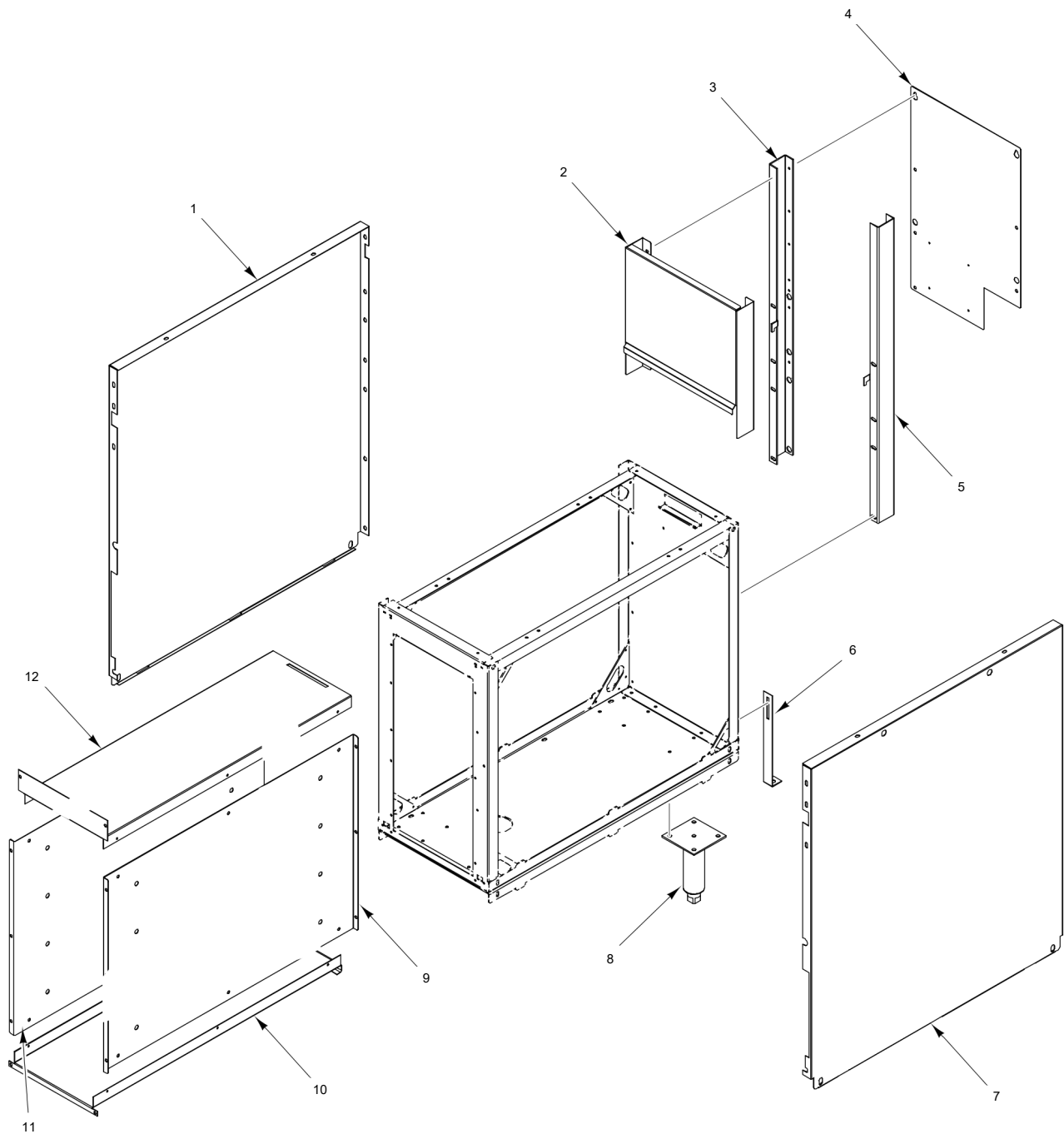
PL-59687

OVEN BURNER ASSEMBLY

OVEN BURNER ASSEMBLY

ILLUS.	PART NO.	NAME OF PART	AMT.
PL-20355			
1	00-921023	Carrier - Burner	1
2	00-404079-0000F	Elbow 7/16 Orifice	1
*3		Valve Hood.....	1
4	00-426262-00001	Pilot Assy. (NAT)	1
5	00-426262-00002	Pilot Assy. (LP)	1
6	00-921091-0000A	Burner - Oven Module	1

* (See Orifice Chart)

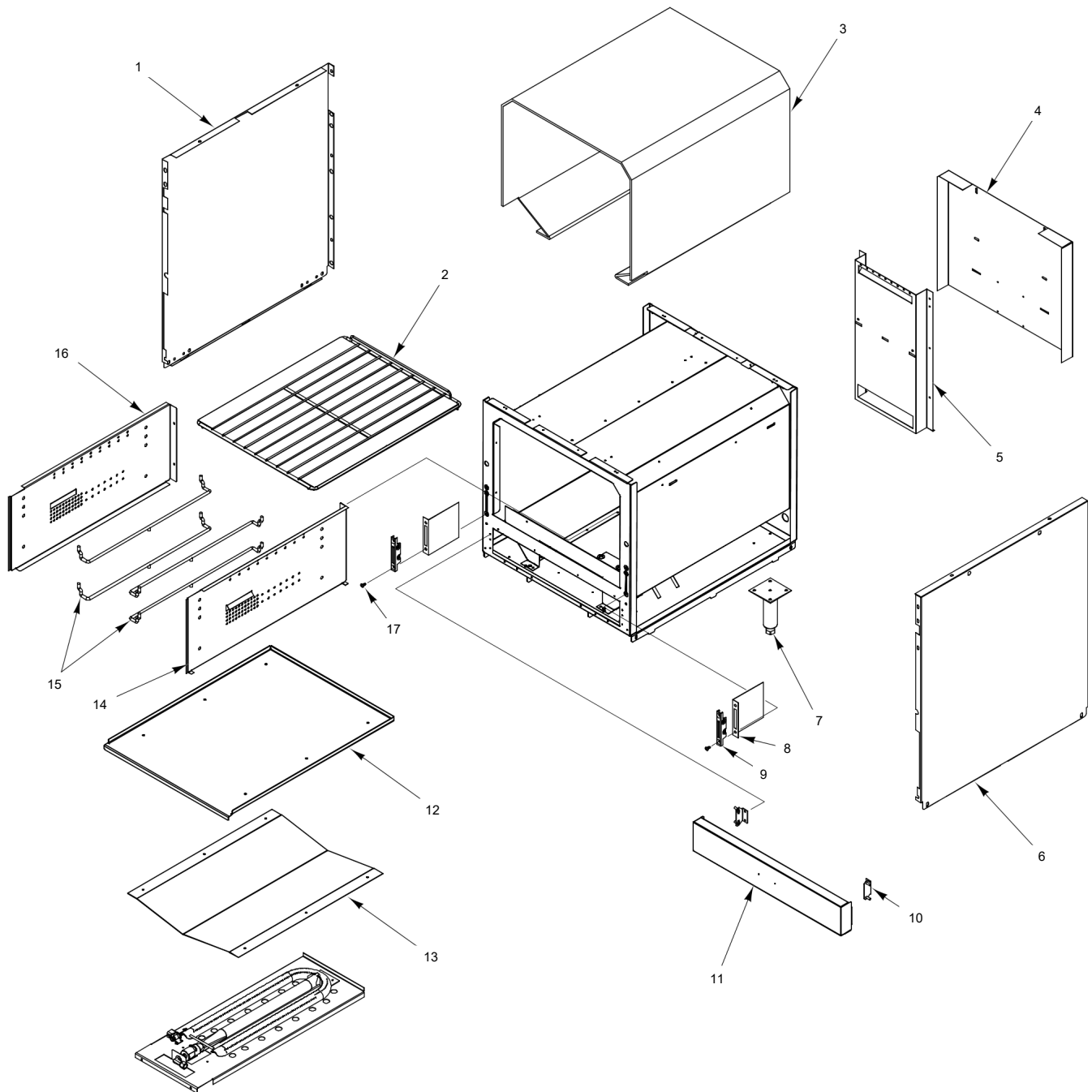


PL-59695

**RANGE BODY
(12 INCH)**

**RANGE BODY
(12 INCH)**

ILLUS.	PART NO.	NAME OF PART	AMT.
PL-20356			
1	00-921807	Panel - Side	1
2	00-921317	Backsplash (12 In.)	1
3	00-922140	Channel (LH)	1
4	00-921713	Panel - Back (12 In.)	1
5	00-922141	Channel (RH)	1
6	00-927459	Bracket - Anchor	2
7	00-921807	Panel - Side	1
8	00-413112-00012	Leg - Plate Mount (6 In.)	4
9	00-921850	Panel - Side	1
10	00-921851	Panel - Bottom	1
11	00-921850	Panel - Side	1
12	00-921849	Panel - Top	1

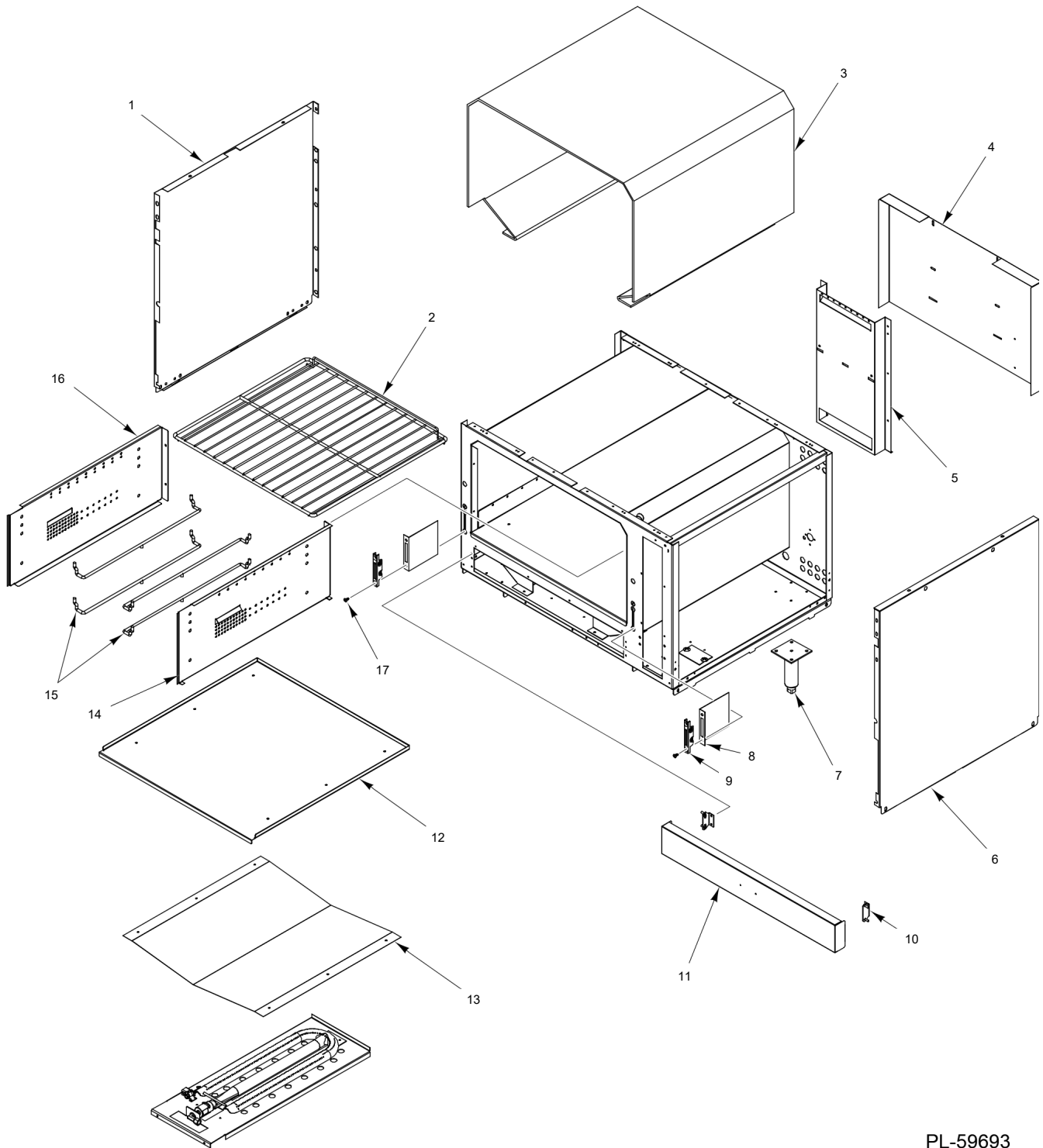


PL-59692

**STANDARD OVEN CAVITY
(24 INCH)**

**STANDARD OVEN CAVITY
(24 INCH)**

ILLUS.	PART NO.	NAME OF PART	AMT.
PL-20357			
1	00-921807	Panel - Side	1
2	00-923508-0000A	Oven Rack (24 In.)	2
3	00-921527	Insulation Blanket	1
4	00-921786	Flue - Rear	1
5	00-921799	Channel - Back Flue	1
6	00-921807	Panel - Side	1
7	00-413112-00012	Leg - Plate Mount (6 In.)	4
8	00-921095	Insulation - Door Hinge	2
9	00-497029-00001	Door Hinge Stop	2
10	00-428179-000G1	Bracket - Kick Panel Mounting	2
11	00-921785	Kick Panel Assy.	1
12	00-923515	Cavity Bottom (24 In. Oven)	1
13	00-923516	Flame Deflector	1
14	00-921078	Side Panel - Right	1
15	00-921064	Guide - Rack	4
16	00-921073	Side Panel - Left	1
17	00-723369	Mach. Screw 1/4-20 x 1/2 Phil. Truss Hd.	4

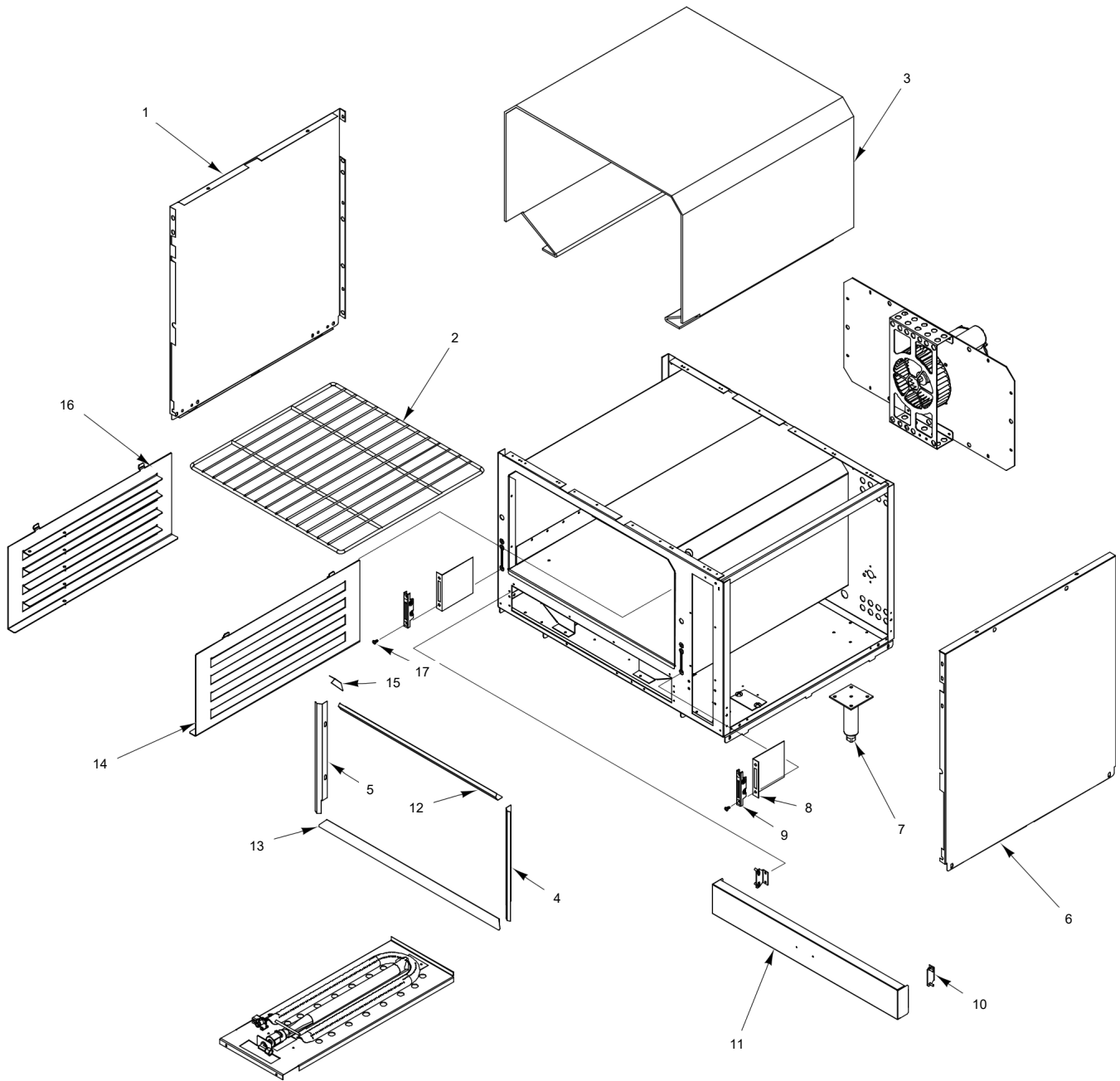


PL-59693

**STANDARD OVEN CAVITY
(36 INCH)**

**STANDARD OVEN CAVITY
(36 INCH)**

ILLUS.	PART NO.	NAME OF PART	AMT.
PL-20358			
1	00-921807	Panel - Side	1
2	00-921010-0000A	Oven Rack (30 In.)	2
3	00-921035	Insulation Blanket	1
4	00-921723	Flue - Rear	1
5	00-921799	Channel - Back Flue	1
6	00-921807	Panel - Side	1
7	00-413112-00012	Leg - Plate Mount (6 In.)	4
8	00-921095	Insulation - Door Hinge	2
9	00-497029-00001	Door Hinge Stop	2
10	00-428179-000G1	Bracket - Kick Panel Mounting	2
11	00-921721	Kick Panel Assy.	1
12	00-921015	Cavity Bottom (30 In.)	1
13	00-921080	Flame Deflector	1
14	00-921078	Side Panel - Right	1
15	00-921064	Guide - Rack	4
16	00-921073	Side Panel - Left	1
17	00-723369	Mach. Screw 1/4-20 x 1/2 Phil. Truss Hd.	4

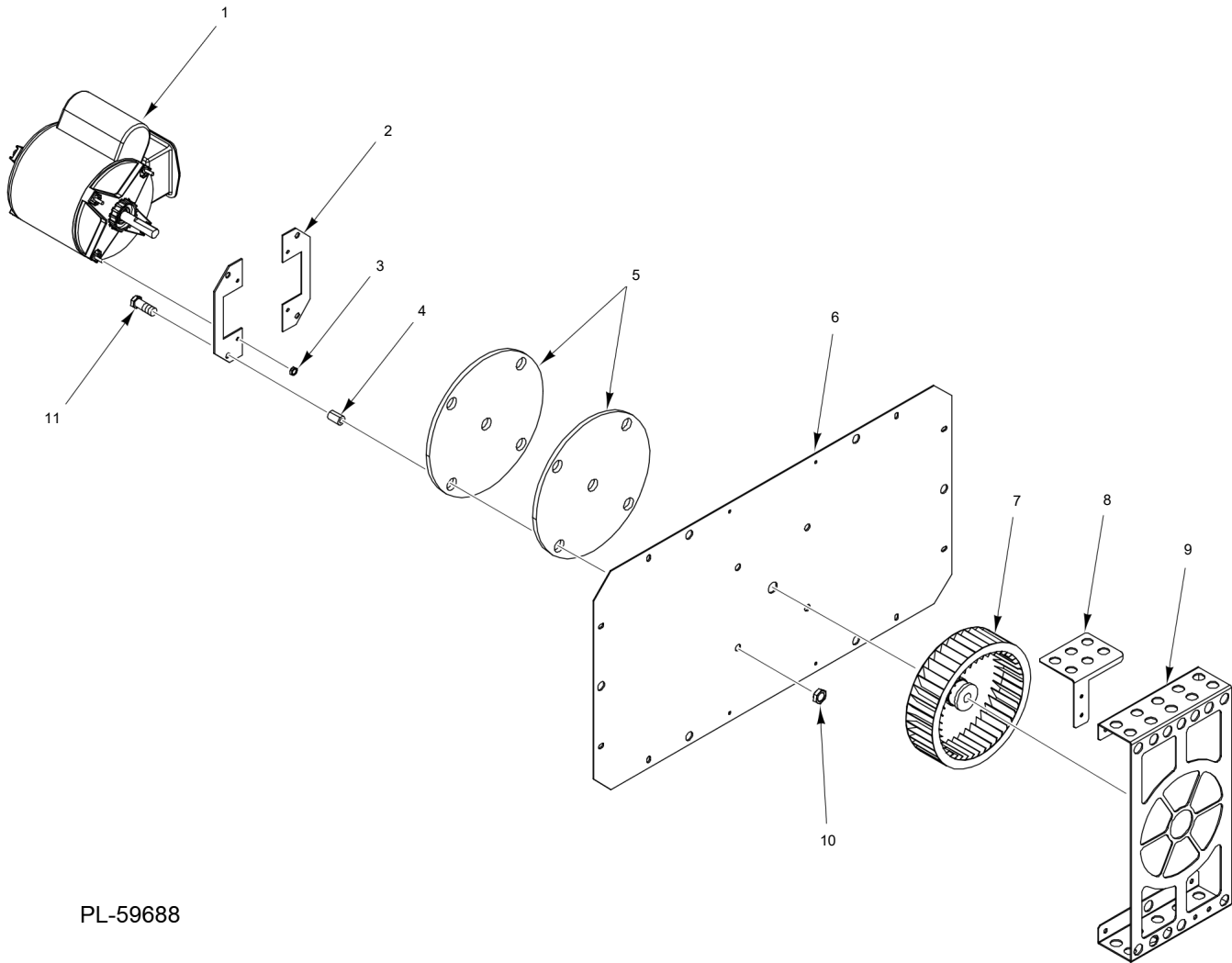


PL-59694

**CONVECTION OVEN CAVITY
(36 INCH)**

**CONVECTION OVEN CAVITY
(36 INCH)**

ILLUS.	PART NO.	NAME OF PART	AMT.
PL-20359			
1	00-921807	Panel - Side	1
2	00-921548-0000A	Oven Rack (30 In.) (Convection)	2
3	00-921035	Insulation Blanket	1
4	00-921536	Side Seal - Right	1
5	00-921513	Side Seal - Left	1
6	00-921807	Panel - Side	1
7	00-413112-00012	Leg - Plate Mount (6 In.)	4
8	00-921095	Insulation - Door Hinge	2
9	00-497029-00001	Door Hinge Stop	2
10	00-428179-000G1	Bracket - Kick Panel Mounting	2
11	00-921721	Kick Panel Assy.	1
12	00-921512	Seal - Top	1
13	00-921537	Seal - Bottom	1
14	00-921546-0000A	Rack Guide Assy. (Right)	1
15	00-921514	Seal - Corner	2
16	00-921547-0000A	Rack Guide Assy. (Left)	1
17	00-723369	Mach. Screw 1/4-20 x 1/2 Phil. Truss Hd.	4

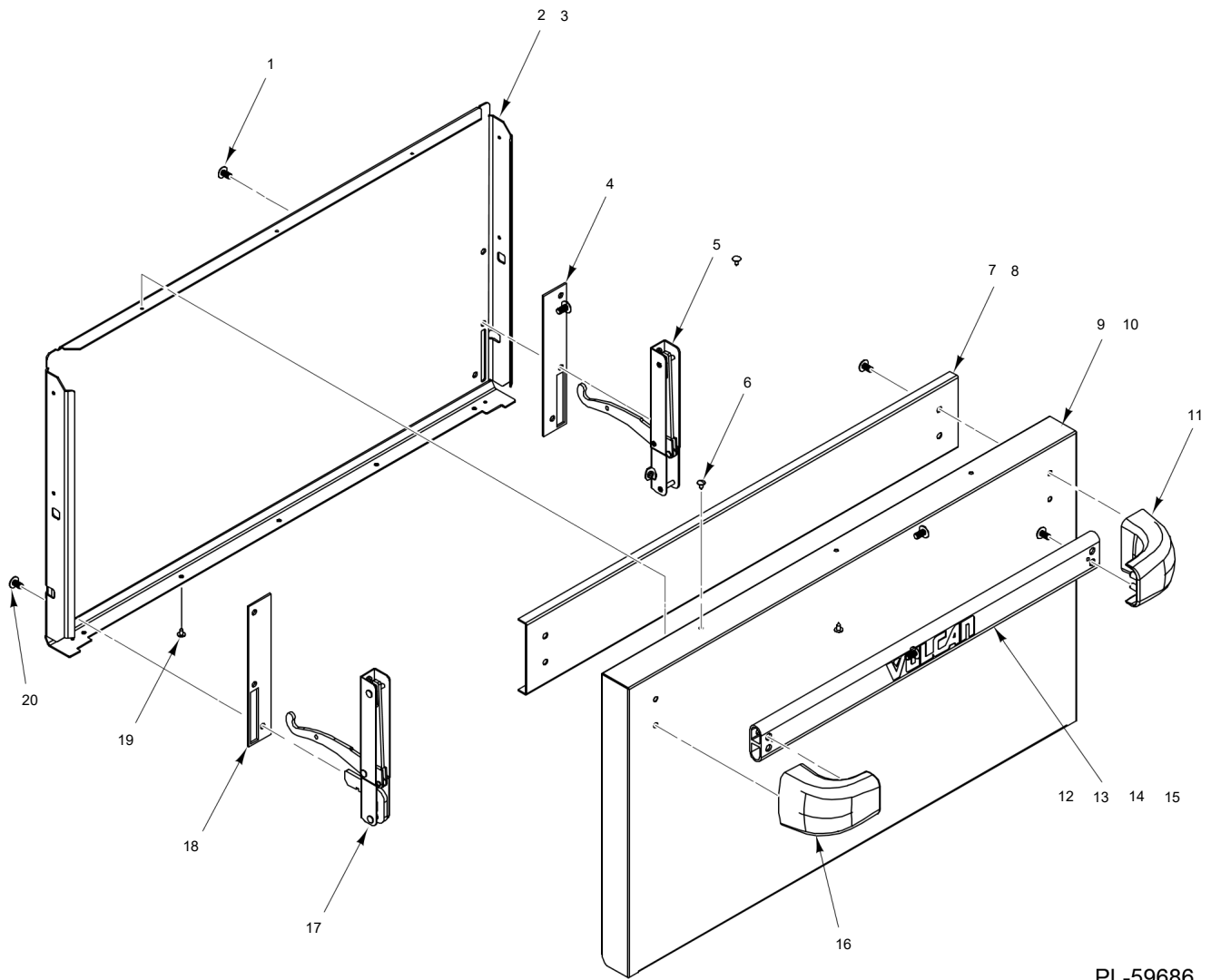


PL-59688

**CONVECTION MOTOR ASSEMBLY
(30 INCH UNIT ONLY)**

**CONVECTION MOTOR ASSEMBLY
(30 INCH UNIT ONLY)**

ILLUS.	PART NO.	NAME OF PART	AMT.
PL-20360			
1	00-419730-00001	Motor (1/6 Hp., 115/208-230 V., 50/60 Hz., 1 Ph.)	1
2	00-419719-00002	Bracket - Motor Mount	2
3	NS-044-07	Nut Assy. 8-32 Hex KEPS	4
4	00-712380	Spacer	4
5	00-428898-00008	Motor Insulation	2
6	00-921640	Motor Mount HB	1
7	00-415780-00008	Wheel - Blower (Incls. Set Screws)	1
8	00-921631	Deflector - Air Flow	1
9	00-921658	Blower Cover HB	1
10	NS-047-72	Lock Nut 1/4-20	4
11	SC-121-01	Mach. Screw 1/4-20 x 1-1/4 Flat Hd.	4

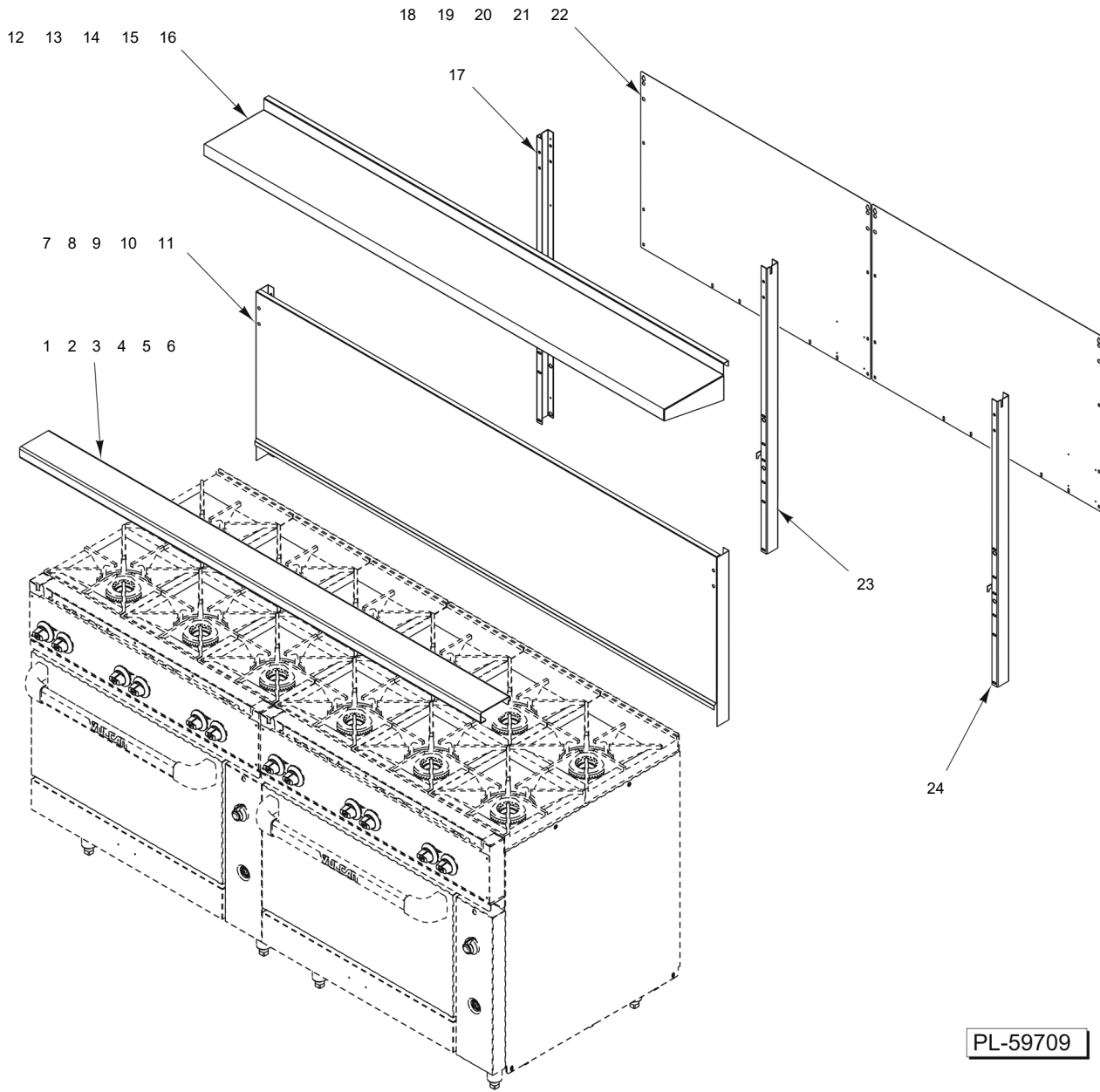


PL-59686

DOOR ASSEMBLY

DOOR ASSEMBLY

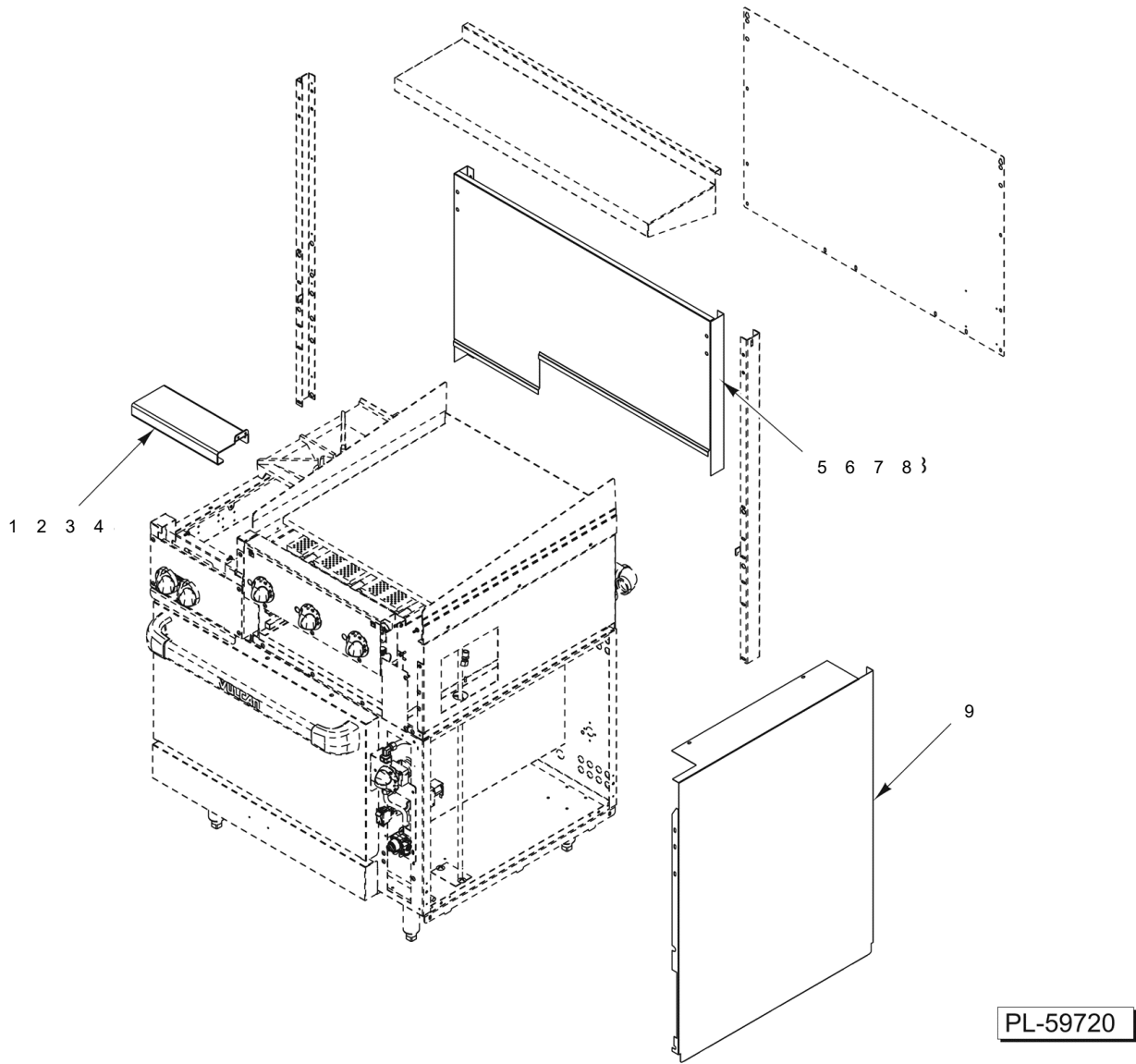
ILLUS.	PART NO.	NAME OF PART	AMT.
PL-20361			
1	00-723369	Mach. Screw 1/4-20 x 1/2 Phil. Truss Hd.	3
2	00-922030	Liner - Door (24 In.)	1
3	00-921022	Liner - Door (30 In.)	1
4	00-921033	Insulator - Door Hinge	1
5	00-497027-00001	Hinge - Door Spring (RH)	1
6	00-730240	Mach. Screw #8 x 1/2	3
7	00-922134	Reinforcement - Door (24 In.)	1
8	00-922133	Reinforcement - Door (30 In.)	1
9	00-921781	Panel - Door (24 In.)	1
10	00-921749	Panel - Door (30 In.)	1
11	00-922118	Bracket - Handle	1
12	00-913159-00002	Kit - Door Handle (24 In.) (Vulcan)	1
13	00-913159-00001	Kit - Door Handle (24 In.) (Wolf)	1
14	00-913159-00004	Kit - Door Handle (30 In.) (Vulcan)	1
15	00-913159-00003	Kit - Door Handle (30 In.) (Wolf)	1
16	00-922118	Bracket - Handle	1
17	00-497027-00002	Hinge - Door Spring (LH)	1
18	00-921033	Insulator - Door Hinge	1
19	00-730240	Mach. Screw #8 x 1/2	3
20	00-723369	Mach. Screw 1/4-20 x 1/2 Phil. Truss Hd.	3
	00-922131-0000A	Door Assy. (24 In.)	1
	00-922700-0A30V	ASSY, DOOR, VULCAN, 30IN	1



**BACKSPLASH, SHELF, AND BULL NOSE
(ALL SIZES)**

**BACKSPLASH, SHELF, AND BULL NOSE
(ALL SIZES)**

ILLUS.	PART NO.	NAME OF PART	AMT.
PL-20362			
1	00-921884-00012	Bull Nose (12 In.)	1
2	00-921884-00024	Bull Nose (24 In.)	1
3	00-921884-00036	Bull Nose (36 In.)	1
4	00-921884-00048	Bull Nose (48 In.)	1
5	00-921884-00060	Bull Nose (60 In.)	1
6	00-921884-00072	Bull Nose (72 In.)	1
7	00-921053-00024	Backsplash (24 In.)	1
8	00-921053-00036	Backsplash (36 In.)	1
9	00-921053-00048	Backsplash (48 In.)	1
10	00-921053-00060	Backsplash (60 In.)	1
11	00-921053-00072	Backsplash (72 In.)	1
12	00-921730-00024	Shelf (24 In.)	1
13	00-921730-00036	Shelf (36 In.)	1
14	00-921730-00048	Shelf (48 In.)	1
15	00-921730-00060	Shelf (60 In.)	1
16	00-921730-00072	Shelf (72 In.)	1
17	00-921728	Support - Backsplash (LH)	1
18	00-921713	Panel - Back (12 In.)	1
19	00-923525	Panel - Back (24 In.)	1
20	00-921054	Panel - Back (36 In.) (Use two for 72 In. Units).....	1
21	00-923009	Panel - Back (48 In.)	1
22	00-929007	Panel - Back (60 In.)	1
23	00-921729	Support - Backsplash (RH) (Used on 60 & 72 In. Units).....	1
24	00-921729	Support - Backsplash (RH)	1



BACKSPLASH AND PANELS (GRIDDLE/BROILERS)

BACKSPLASH AND PANELS (GRIDDLE/BROILERS)

ILLUS.	PART NO.	NAME OF PART	AMT.
PL-20364			
1	00-921884-012GB	Bull Nose Griddle Broiler (12 In.)	1
2	00-921884-024GB	Bull Nose Griddle Broiler (24 In.)	1
3	00-921884-036GB	Bull Nose Griddle Broiler (36 In.)	1
4	00-921884-048GB	Bull Nose Griddle Broiler (48 In.)	1
5	00-921258-00036	Backsplash (36 In.)	1
6	00-921258-00048	Backsplash (48 In.)	1
7	00-921258-00060	Backsplash (60 In.)	1
8	00-921258-00072	Backsplash (72 In.)	1
9	00-921764	Panel - Side (Griddle/Broilers)	1

