

# BACK BAR EQUIPMENT

## Model: **KC50N**

Natural Refrigerant R-290 Model

### 50" Keg Cooler

Textured baked black enamel finish exterior, stainless steel countertop, interior back and side panels with reinforced stainless steel floor.



## Options and Accessories

(upcharge and lead times may apply)

Epoxy coated or stainless steel shelves	Faucet lock
Hinged glass doors (consult factory)	Riser base* (field installed)
Food storage rated stainless steel interior (NSF-7)	Condensing unit on right
Single, dual or triple faucets	Wine rack
Tower placement (consult factory)	Casters or legs
Shallow depth	

Consult factory for other model configurations, options and accessories.

\* Adding a Riser Base increases overall height 2"

Project Name:

Model Specified:

Location:

Item No:

Quantity:

AIA #:

SIS #:

## Standard Model Features

### REFRIGERATION SYSTEM

Performance rated front breathing refrigeration system

Natural, environmentally safe, high efficiency R-290 refrigerant<sup>1</sup>

Automatic, hot gas condensate evaporator

Extra large, balanced evaporator coil

### CABINET ARCHITECTURE

High density, non-CFC polyurethane foamed-in-place insulation

Front, rear and side venting louvered grills

Magnetic snap in Santoprene™ door gaskets

Cylinder-keyed security lock in each door

Stainless steel reinforced threshold

### MODEL FEATURES

Low profile cabinet design

Electronic controller with digital display & hi-low alarm

LED interior lighting

Continuously cooled, 3" diameter beer column with lever faucet, CO<sub>2</sub> pressure relief distributor and CO<sub>2</sub> tubing with clamps

Easily removable stainless steel drip grate with convenient front mounted cleanout drainage hose (pan not removable)

Off-cycle defrost

Easily accessible and serviceable condensing unit

<sup>1</sup> R-290 refrigerant meets all federal and state regulatory requirements.

**Continental**<sup>®</sup>  
Refrigerator

Toll-Free: 800-523-7138  
Phone: 215-244-1400  
Fax: 215-244-9579

539 Dunksferry Road  
Bensalem, PA 19020  
[www.continentalrefrigerator.com](http://www.continentalrefrigerator.com)

APPROVAL:

## Model Specifications

### DIMENSIONAL DATA

Net Capacity (cubic feet)	16 (453 cu l)
Width, Overall (inches)	50 (1270 mm)
Depth, Overall (inches) (including handles & bumpers)	29 <sup>3</sup> / <sub>16</sub> (741 mm)
Depth, Body Only (inches) (less doors)	25 (635 mm)
Height, Overall (inches) (not including column)	34 <sup>3</sup> / <sub>4</sub> (883 mm)
Capacity: # Barrel Kegs	0
Capacity: # Straight Wall Kegs	2
Capacity : # 1/2 Size Kegs	8
Number of Doors	2
Number of Beer Columns (with dual faucets)	1

### REFRIGERANT DATA

Condensing Unit Size (H.P.)	1/4
Capacity (BTU per hour)*	1800

### ELECTRICAL DATA

Voltage (International)	115/60/1 (220/50/1)
Feed Wires (including ground)	3
Total Amps (International)	3.7 (3.4)
10 ft. Cord/Plug [attached] (International)	Yes (No)

### SHIPPING DATA

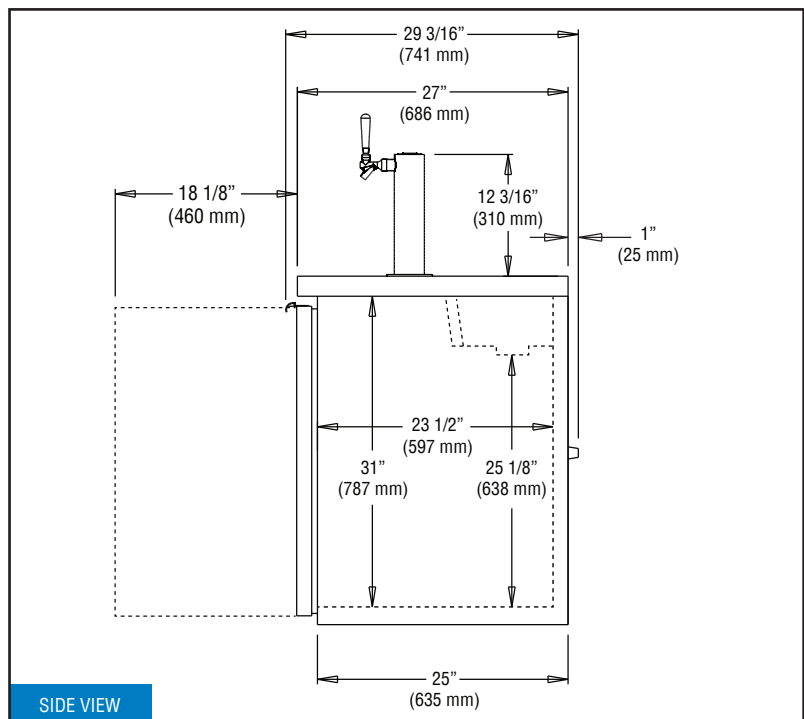
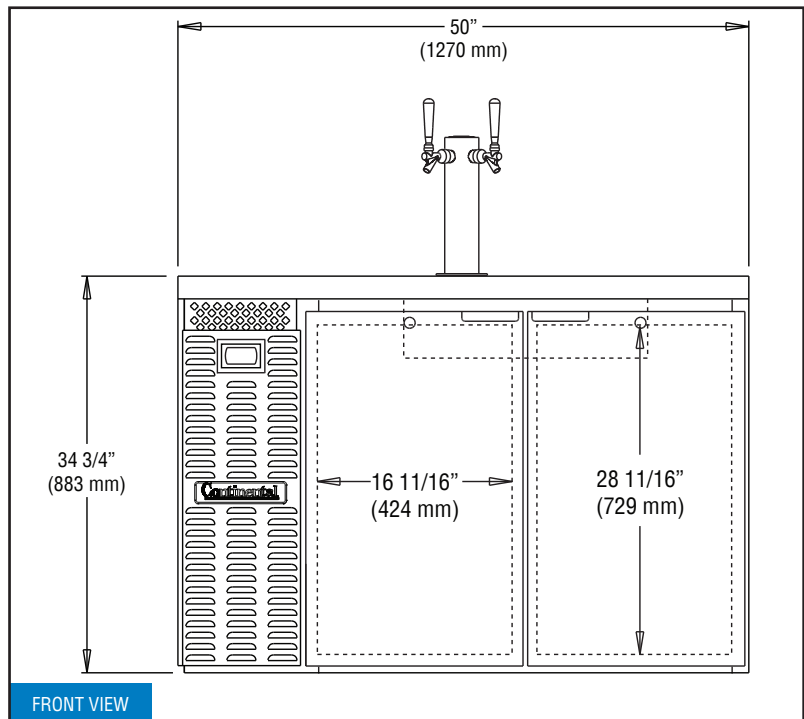
Weight (pounds)	355 (161 kg)
Height - Crated (inches)	46 (1168 mm)
Width - Crated (inches)	58 (1473 mm)
Depth - Crated (inches)	42 (1067 mm)

\* Rating @ +25°F evaporator, 90°F ambient  
Figures in parentheses reflect metric equivalents rounded to the nearest whole unit.



Equipped with one NEMA-5-15P Plug  
(varies by country)

## Model Plan Views



**IMPORTANT NOTE:** Models are completely front breathing and take in and exhaust air through the front grill. For proper operation, the area in front of the cabinet **must** not be obstructed in any way. A clearance of 1" on the back and 3" on the sides is recommended.

**Continental**  
Refrigerator

Toll-Free: 800-523-7138  
Phone: 215-244-1400  
Fax: 215-244-9579

539 Dunksferry Road  
Bensalem, PA 19020  
[www.continentalrefrigerator.com](http://www.continentalrefrigerator.com)

Due to our continued efforts in developing innovative products, specifications subject to change without notice.



© Copyright 2021. Continental Refrigerator.  
A Division of National Refrigeration & Air Conditioning Products, Inc.

REVISED: 5/10/2022