

PROJECT: _____
 ITEM # _____ QTY: _____
 MODEL # _____
 AIA # _____ SIS # _____

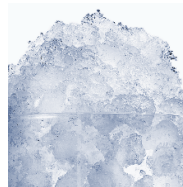
FLAKE ICE MAKER

MFI1256A90



Features and Benefits

- Uses R290 for a more environmentally friendly and efficient refrigerant.
- Flake ice – best for preservation and presentation.
- Water sensor eliminates low or no water failures and operates in adverse water conditions.
- Rugged stainless-steel evaporator assembly ensures reliability.
- Maintenance-free, industrial-grade double roller bearings.
- Heavy-duty gearbox provides years of trouble-free service.
- Built-in, non-contact ice detection fail safe automatic shutoff.
- Load monitoring system constantly checks workload on gearbox shutting down system before a problem develops and preventing costly repairs.



| ICE FORMS | |
|-----------|---|
| FLAKE ICE | - |
| | - |

| BIN CHART | | | | | | | | | |
|--|------------------------------------|------------------------------------|------------------------------------|------------------------------------|--------------------------------------|--|--|--|--|
| Model # | B40 | B42 | B55 | B700-30 | B110 | B1000-48 | B1300-48 | B1325-60 | B1660-60 |
| capacity width | 344 lbs (156 kg) 30 in (762 mm) | 351 lbs (160 kg) 22 in (559 mm) | 510 lbs (232 kg) 30 in (762 mm) | 680 lbs (308 kg) 30 in (762 mm) | 854 lbs (388 kg) 48 in (1,219 mm) | 1,000 lbs (454 kg) 48 in (1,219 mm) | 1,320 lbs (599 kg) 48 in (1,219 mm) | 1,325 lbs (601 kg) 60 in (1,524 mm) | 1,660 lbs (753 kg) 60 in (1,524 mm) |
| Kit for combining wider bins with smaller models | KBT19 | KBT24 | KBT19 | Kit Not Required | KBT23 | Kit Not Required | Kit Not Required | Kit Not Required | Kit Not Required |

See Ice-O-Matic Price List for Adapter Kits to combine ice makers with most available ice/beverage dispensers.



MFI1256A90 shown atop of bin B42 (sold separately)

Warranty

- Ice Maker: **3 years parts and labor**
- Compressor: **5 years parts**

Options & Accessories

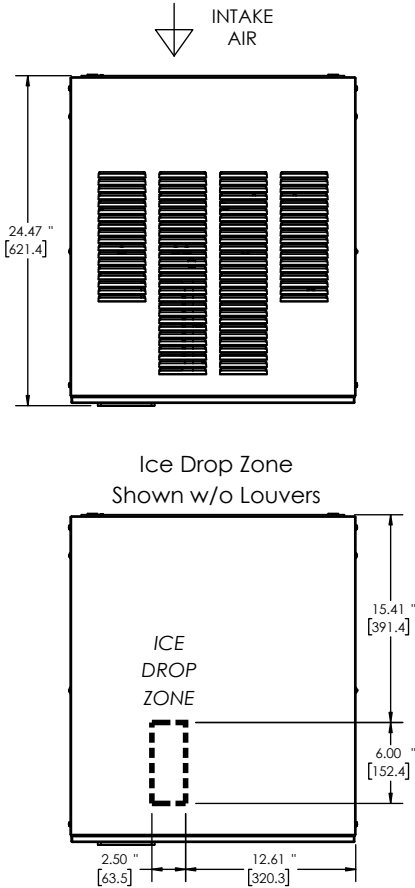
- B42

Water Filter

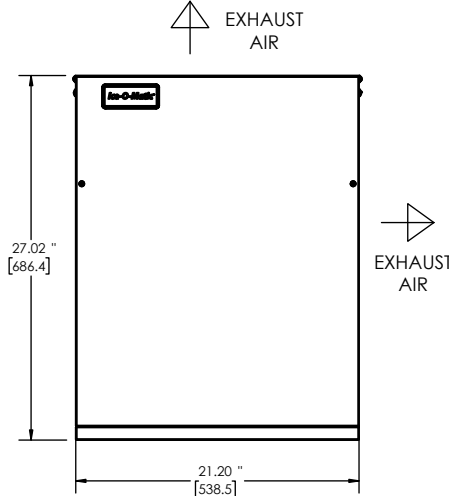
- Manifold System IFQ1-XL gets replacement filter IOMQXL (1)

Line drawing note: Numbers with quote symbol " are in inches. Numbers enclosed in [brackets] are in millimeters.

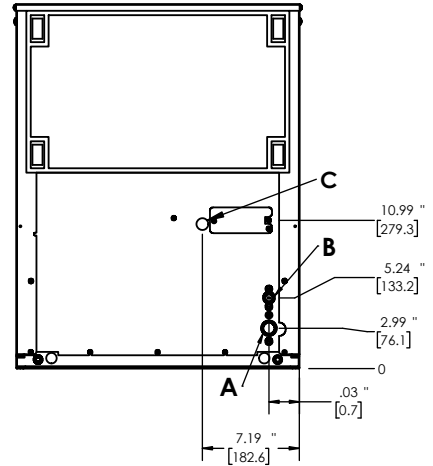
PLAN / TOP VIEW



ELEVATION / FRONT VIEW



UTILITIES / BACK VIEW



Air Cooled

- A. Ice Maker Drain, 3/4" FPT
- B. Ice Maker Potable Water Inlet, 3/8" FPT
- C. Electrical Connection, ϕ .875" [22.2]

| SPECIFICATIONS | |
|---|---------------------------------|
| Model | MFI1256A90 |
| Condensing Type | Air |
| Voltage/Hertz/Phase | 208-230/60/1 |
| Min. Circuit Amp | 9.3 A |
| Max Breaker Size | 15 A |
| KWH per 100 lbs of ice at 70°F air / 50°F water | 2.15 |
| KWH per 100 lbs of ice at 90°F air / 70°F water | 3.26 |
| BTU (approx per hour) | 10280 |
| Number of Wires | 3 (including ground) |
| Refrigerant | R290A |
| Refrigeration Charge | 120 g |
| Ice Production per 24 hrs | |
| 70° air / 50° water lbs (kg) | 90° air / 70° water lbs (kg) |
| 1045 (474) | 757 (343) |
| Water Usage gallons per 100 lbs of ice 90°F air / 70°F water | |
| Potable | Condenser |
| 12 | N/A |

| OPERATING REQUIREMENTS | | |
|-------------------------|-------------------|-------------------|
| | MINIMUM | MAXIMUM |
| Ambient Temp. Range Air | 50°F (10°C) | 100°F (38°C) |
| Water Temp | 40°F (4°C) | 100°F (38°C) |
| Water Pressure | 20 PSIG (1.4 BAR) | 80 PSIG (5.5 BAR) |

| DIMENSIONS | | |
|---------------------------|-----------------------------------|----------|
| Unit Width | 21 in. | 533.4 mm |
| Unit Depth | 24 in. | 609.6 mm |
| Unit Height | 27 in. | 685.8 mm |
| Shipping Weight | 215 lbs / 98 kg | |
| Shipping Dimensions (in.) | 27 (W) x 24 (D) x 32 (H) | |
| Shipping Dimensions (mm) | 685.8 (W) x 609.6 (D) x 812.8 (H) | |