



PROJECT: \_\_\_\_\_  
 ITEM # \_\_\_\_\_ QTY: \_\_\_\_\_  
 MODEL # \_\_\_\_\_  
 AIA # \_\_\_\_\_ SIS # \_\_\_\_\_

FLAKE ICE MAKER

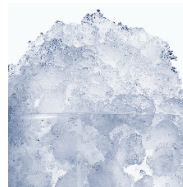
# FLAKE ICE MAKER

## MF10800A90



### Features and Benefits

- Uses R290 for a more environmentally friendly and efficient refrigerant.
- Flake ice – best for preservation and presentation.
- Water sensor eliminates low or no water failures and operates in adverse water conditions.
- Rugged stainless-steel evaporator assembly ensures reliability.
- Maintenance-free, industrial-grade double roller bearings.
- Heavy-duty gearbox provides years of trouble-free service.
- Built-in, non-contact ice detection fail safe automatic shutoff.
- Load monitoring system constantly checks workload on gearbox shutting down system before a problem develops and preventing costly repairs.



ICE FORMS	
FLAKE ICE	-
	-



BIN CHART									
Model #	B40	B42	B55	B700-30	B110	B1000-48	B1300-48	B1325-60	B1660-60
capacity	344 lbs (156 kg)	351 lbs (160 kg)	510 lbs (232 kg)	680 lbs (308 kg)	854 lbs (388 kg)	1,000 lbs (454 kg)	1,320 lbs (599 kg)	1,325 lbs (601 kg)	1,660 lbs (753 kg)
width	30 in (762 mm)	22 in (559 mm)	30 in (762 mm)	30 in (762 mm)	48 in (1,219 mm)	48 in (1,219 mm)	48 in (1,219 mm)	60 in (1,524 mm)	60 in (1,524 mm)
Kit for combining wider bins with smaller models	KBT19	KBT24	KBT19	Kit Not Required	KBT23	Kit Not Required	Kit Not Required	Kit Not Required	Kit Not Required

See Ice-O-Matic Price List for Adapter Kits to combine ice makers with most available ice/beverage dispensers.



MF10800A90 shown atop of bin B42 (sold separately)

### Warranty

- Ice Maker: **3 Years Parts and Labor**
- Compressor: **5 Years Parts**

### Options & Accessories

- B42

### Water Filter

- Manifold System IFQ1-XL gets replacement filter IOMQXL (1)

11100 E. 45th Avenue • Denver, CO 80239

Phone: 1.866.PURE.ICE

www.iceomatic.com

Rev. 04/2026 Printed in U.S.A.

APPROVAL: \_\_\_\_\_ DATE: \_\_\_\_\_



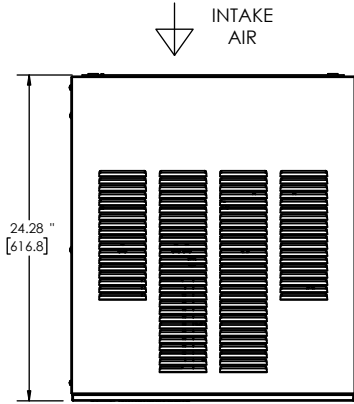
Ice-O-Matic

# FLAKE ICE MAKER

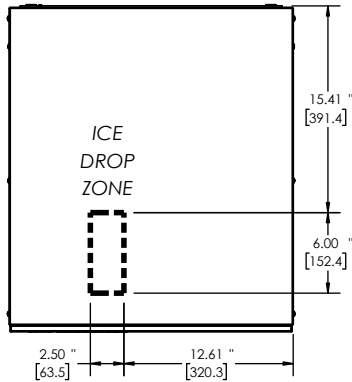
## MFIO800A90

Line drawing note: Numbers with quote symbol " are in inches. Numbers enclosed in [brackets] are in millimeters.

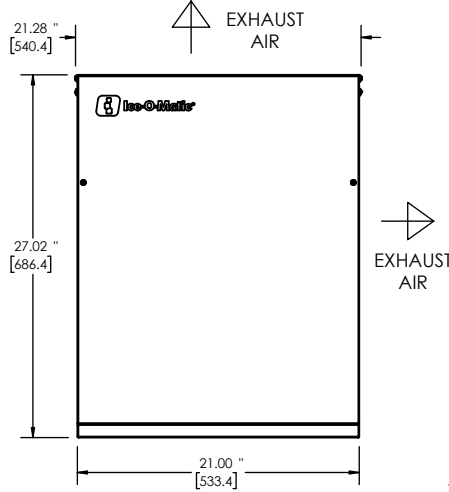
PLAN / TOP VIEW



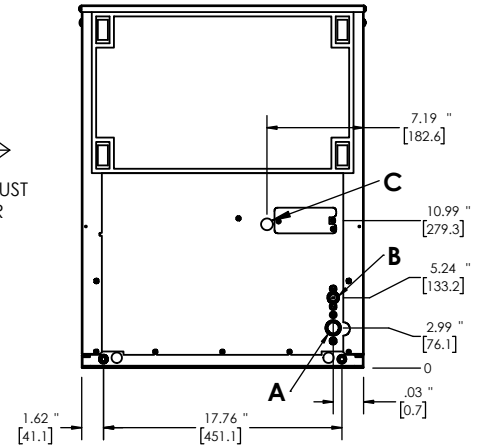
Ice Drop Zone  
Shown w/o Louvers



ELEVATION / FRONT VIEW



UTILITIES / BACK VIEW



Air Cooled

- A. Ice Maker Drain, 3/4" FPT
- B. Ice Maker Potable Water Inlet, 3/8" FPT
- C. Electrical Connection,  $\Phi$ .875" [22.2]

SPECIFICATIONS	
Model	MFIO800A90
Condensing Type	Air
Voltage/Hertz/Phase	115/60/1
Min. Circuit Amp	13.6 A
Max Breaker Size	20 A
KWH per 100 lbs of ice at 70°F air / 50°F water	2.50
KWH per 100 lbs of ice at 90°F air / 70°F water	3.50
BTU (approx per hour)	8190
Number of Wires	3 (including ground)
Refrigerant	R290A
Refrigeration Charge	110 g
<b>Ice Production per 24 hrs</b>	
70° air / 50° water lbs (kg)	90° air / 70° water lbs (kg)
790 (358)	585 (265)
<b>Water Usage gallons per 100 lbs of ice 90°F air / 70°F water</b>	
Potable	Condenser
12	N/A

OPERATING REQUIREMENTS		
	MINIMUM	MAXIMUM
Ambient Temp. Range Air	50°F (10°C)	100°F (38°C)
Water Temp	40°F (4°C)	100°F (38°C)
Water Pressure	20 PSIG (1.4 BAR)	80 PSIG (5.5 BAR)

DIMENSIONS		
Unit Width	21 in.	533 mm
Unit Depth	24 in.	610 mm
Unit Height	27 in.	686 mm
Shipping Weight	176 lbs / 80 kg	
Shipping Dimensions (in.)	27 (W) x 24 (D) x 32 (H)	
Shipping Dimensions (mm)	685.8 (W) x 609.6 (D) x 812.8 (H)	



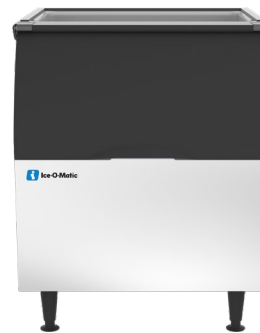
**BINS & DISPENSERS**

## B40

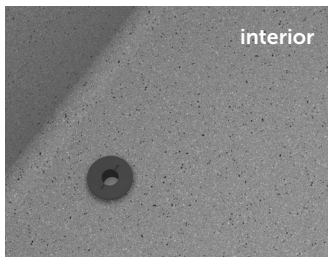


### Features and Benefits

- Durable gray granite bin liner insulated with environmentally friendly foam for maximum ice preservation
- Multiple bin tops provide an easy solution for mounting ice makers on different sized bins
- Includes ice scoop and built-in, internal holder for efficiency and sanitation
- Durable aluminum finish



STORAGE CAPACITY	
Capacity	344 lbs (156 kg)
Width	30 in (762 mm)



### Warranty

- 2 Years Parts and Labor

**BIN COMPATIBILITY CHART**

Bin Model #	Cube Ice Makers / CIM			Pearl, Quartz, and Flake Ice Makers / GEM, HEM, MFI	
	22"	30"	48"	21"	30"
B42	■	-	-	■ KBT24	-
B40	■ KBT19	■	-	■ KBT19	■
B55	■ KBT19	■	-	■ KBT19	■
B110	■ KBT23C	■ BPF-1	■	■ KBT23	■ BPF-1

■ = Compatible    ■ = Compatible, but adapter needed

Specifications are subject to change without prior notice.

11100 E. 45th Avenue • Denver, CO 80239

Phone: 1.866.PURE.ICE

www.iceomatic.com

Rev. 05/2026 Printed in U.S.A.

APPROVAL: \_\_\_\_\_ DATE: \_\_\_\_\_



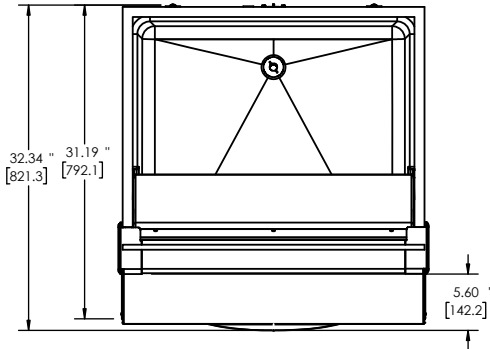
Ice-O-Matic

# BINS & DISPENSERS

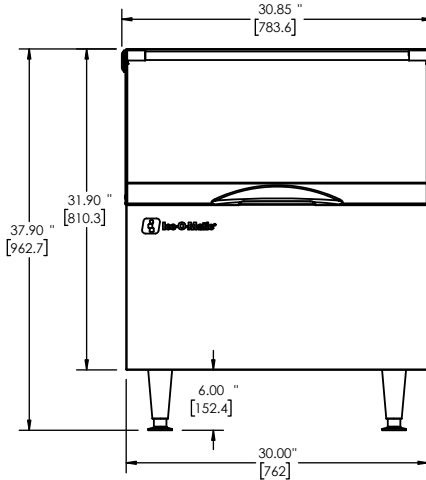
## B40

Line drawing note: Numbers with quote symbol " are in inches. Numbers enclosed in [brackets] are in millimeters.

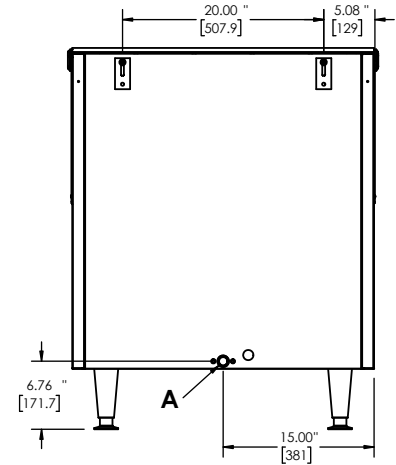
PLAN / TOP VIEW



ELEVATION / FRONT VIEW

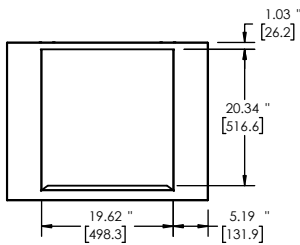


UTILITIES / BACK VIEW



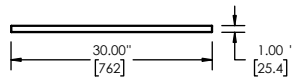
A. Bin Drain, 3/4" FPT

PLAN / TOP VIEW

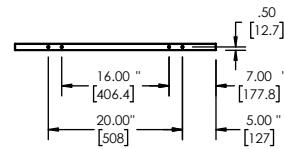


**BIN TOP KIT**  
**KBT19**

ELEVATION / FRONT VIEW



BACK VIEW



DIMENSIONS	
Bin Storage	344 lbs / 156 kg
Unit Width	30 in. / 762 mm
Unit Depth	31 in. / 787 mm
Unit Height	37.5 in. / 953 mm
Shipping Weight	94 lbs / 43 kg
Shipping Dimensions (in.)	33 (W) x 34 (D) x 39 (H)
Shipping Dimensions (mm)	838.2 (W) x 863.6 (D) x 990.6 (H)

We reserve the right to change specifications and product design without notice. Such revisions do not entitle the buyer to corresponding changes, improvements, additions or replacements for previously purchased equipment.

Rev. 05/2026 Printed in U.S.A. 11100 E. 45th Avenue • Denver, CO 80239 • Phone: 1.866.PURE.ICE • www.iceomatic.com