



PROJECT: _____
 ITEM # _____ QTY: _____
 MODEL # _____
 AIA # _____ SIS # _____

CUBE ICE MAKER

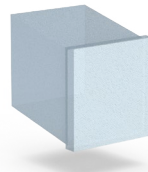
CUBE ICE MAKER

CIM0836FA90



Features and Benefits

- Uses R290 for a more environmentally friendly and efficient refrigerant.
- Modular design and dual exhaust for flexible application and easy installation on bins or dispensers.
- Easy to clean with front facing evaporator and dishwasher safe (up to 180°F) components.
- Easy and quick cleaning reduces operating costs.
- Simple service with many common parts across all CIM machines.
- Harvest Assist provides consistent ice production for the life of the ice maker while reducing energy consumption and increasing capacity.
- Durable, electroless nickel plating on all evaporator plates ensures reliability.
- Constructed from corrosion-resistant and fingerprint-proof aluminum.



ICE FORMS	
FULL CUBE	7/8 x 7/8 x 7/8 in.
	22 x 22 x 22 mm



BIN CHART									
Model #	B40	B42	B55	B700-30	B110	B1000-48	B1300-48	B1325-60	B1660-60
capacity	344 lbs (156 kg) 30 in (762 mm)	351 lbs (160 kg) 22 in (559 mm)	510 lbs (232 kg) 30 in (762 mm)	680 lbs (308 kg) 30 in (762 mm)	854 lbs (388 kg) 48 in (1,219 mm)	1,000 lbs (454 kg) 48 in (1,219 mm)	1,320 lbs (599 kg) 48 in (1,219 mm)	1,325 lbs (601 kg) 60 in (1,524 mm)	1,660 lbs (753 kg) 60 in (1,524 mm)
Kit for combining wider bins with smaller models	Kit Not Required	Not Compatible	Kit Not Required	Kit Not Required	BPF-1	Kit Not Required	Kit Not Required	Kit Not Required	Kit Not Required

See Ice-O-Matic Price List for Adapter Kits to combine ice makers with most available ice/beverage dispensers.



CIM0836FA90 shown atop of bin B55 (sold separately)

Warranty

- Ice Maker: **3 Years Parts and Labor**
- Evaporator and Compressor: **5 Years Parts**
- Evaporator: **7 Years Parts and Labor**
(if enrolled in the filter program for US & Canada)

Options & Accessories

- KSI-1 - Safe Ice Module
- KCUBEDISPB for mounting to a dispenser
- B55

Water Filter

- Manifold System IFQ2 gets replacement filter IOMQ (2)

11100 E. 45th Avenue • Denver, CO 80239

Phone: 1.866.PURE.ICE

www.iceomatic.com

Rev. 04/2026 Printed in U.S.A.

APPROVAL: _____ DATE: _____



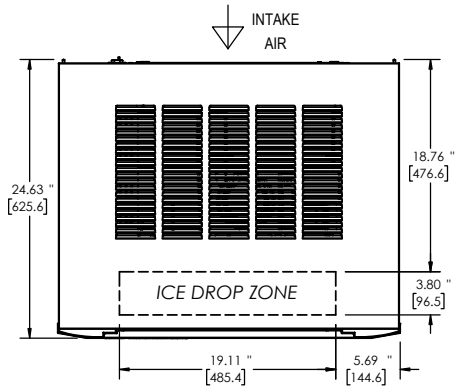
Ice-O-Matic

CUBE ICE MAKER

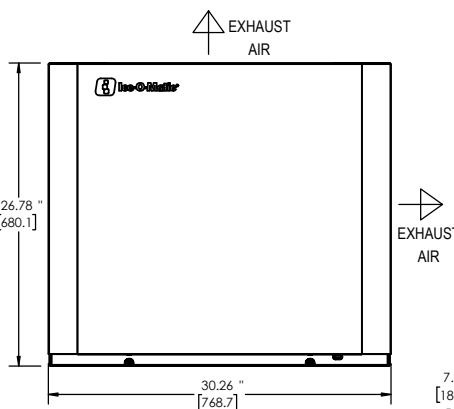
CIM0836FA90

Line drawing note: Numbers with quote symbol " are in inches. Numbers enclosed in [brackets] are in millimeters.

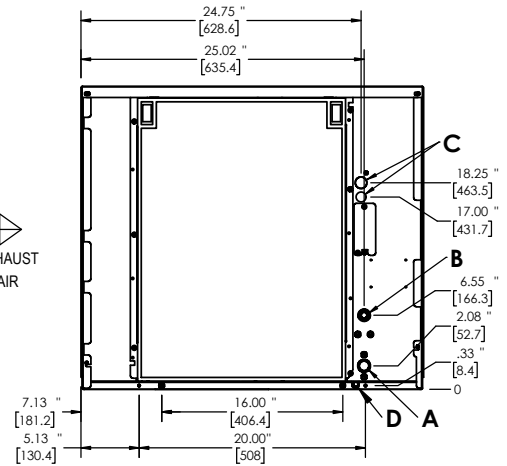
PLAN / TOP VIEW



ELEVATION / FRONT VIEW



UTILITIES / BACK VIEW



Air Cooled

- A. Ice Maker Drain, 3/4" FPT
- B. Ice Maker Potable Water Inlet, 3/8" FPT
- C. Electrical Connection, Φ .875" [22.2] (2)
- D. Condensate Base Drain, Φ .50" [12.7]

SPECIFICATIONS	
Model	CIM0836FA90
Condensing Type	Air
Voltage/Hertz/Phase	208-230/60/1
Min. Circuit Amp	12.3 A
Max Breaker Size	20 A
KWH per 100 lbs of ice at 70°F air / 50°F water	3.7
KWH per 100 lbs of ice at 90°F air / 70°F water	5.16
BTU (approx per hour)	15840
Number of Wires	3 (including ground)
Refrigerant	R290A
Refrigeration Charge	190 g
Ice Production per 24 hrs	
70° air / 50° water lbs (kg)	90° air / 70° water lbs (kg)
900 (408)	695 (315)
Water Usage gallons per 100 lbs of ice 90°F air / 70°F water	
Potable	Condenser
17.5	N/A

OPERATING REQUIREMENTS		
	MINIMUM	MAXIMUM
Ambient Temp. Range Air	50°F (10°C)	100°F (38°C)
Water Temp	40°F (4°C)	100°F (38°C)
Water Pressure	20 PSIG (1.4 BAR)	80 PSIG (5.5 BAR)

DIMENSIONS		
Unit Width	30.25 in.	768 mm
Unit Depth	24.25 in.	616 mm
Unit Height	26.9 in.	683 mm
Shipping Weight	212 lbs / 96 kg	
Shipping Dimensions (in.)	33 (W) x 27 (D) x 33 (H)	
Shipping Dimensions (mm)	838.2 (W) x 685.8 (D) x 838.2 (H)	

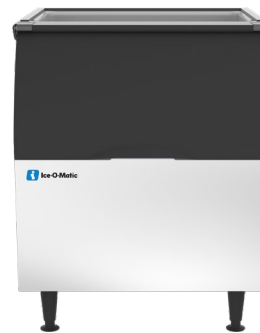
BINS & DISPENSERS

B40

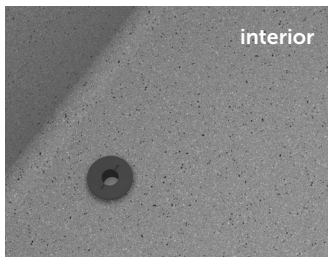


Features and Benefits

- Durable gray granite bin liner insulated with environmentally friendly foam for maximum ice preservation
- Multiple bin tops provide an easy solution for mounting ice makers on different sized bins
- Includes ice scoop and built-in, internal holder for efficiency and sanitation
- Durable aluminum finish



STORAGE CAPACITY	
Capacity	344 lbs (156 kg)
Width	30 in (762 mm)



Warranty

- 2 Years Parts and Labor

BIN COMPATIBILITY CHART

Bin Model #	Cube Ice Makers / CIM			Pearl, Quartz, and Flake Ice Makers / GEM, HEM, MFI	
	22"	30"	48"	21"	30"
B42	■	-	-	■ KBT24	-
B40	■ KBT19	■	-	■ KBT19	■
B55	■ KBT19	■	-	■ KBT19	■
B110	■ KBT23C	■ BPF-1	■	■ KBT23	■ BPF-1

■ = Compatible ■ = Compatible, but adapter needed

Specifications are subject to change without prior notice.

11100 E. 45th Avenue • Denver, CO 80239

Phone: 1.866.PURE.ICE

www.iceomatic.com

Rev. 05/2026 Printed in U.S.A.

APPROVAL: _____ DATE: _____



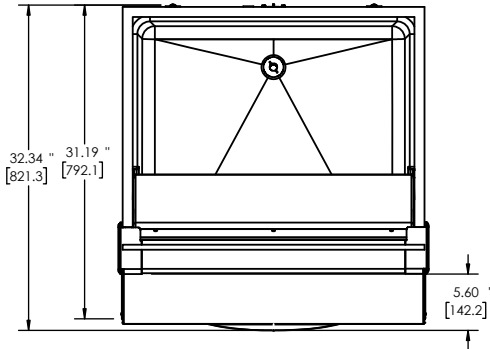
Ice-O-Matic

BINS & DISPENSERS

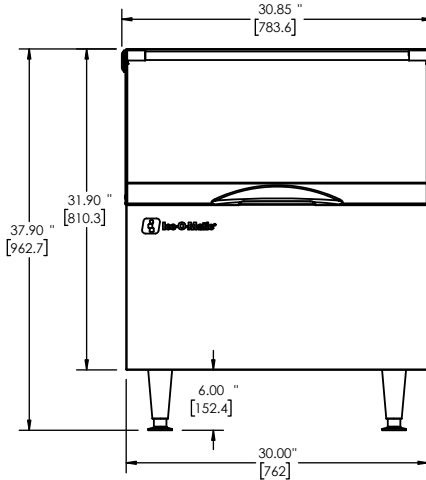
B40

Line drawing note: Numbers with quote symbol " are in inches. Numbers enclosed in [brackets] are in millimeters.

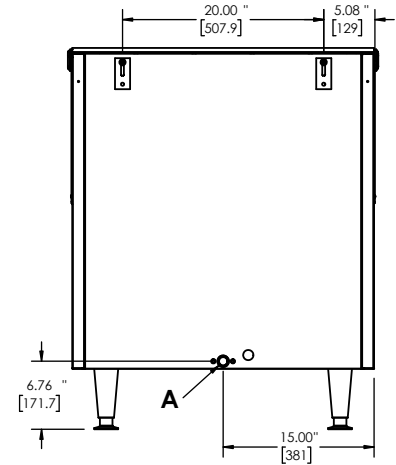
PLAN / TOP VIEW



ELEVATION / FRONT VIEW

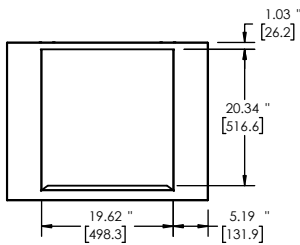


UTILITIES / BACK VIEW



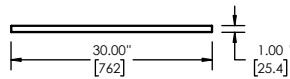
A. Bin Drain, 3/4" FPT

PLAN / TOP VIEW

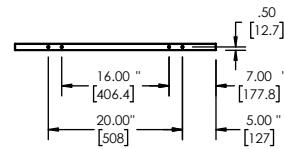


BIN TOP KIT
KBT19

ELEVATION / FRONT VIEW



BACK VIEW



DIMENSIONS	
Bin Storage	344 lbs / 156 kg
Unit Width	30 in. / 762 mm
Unit Depth	31 in. / 787 mm
Unit Height	37.5 in. / 953 mm
Shipping Weight	94 lbs / 43 kg
Shipping Dimensions (in.)	33 (W) x 34 (D) x 39 (H)
Shipping Dimensions (mm)	838.2 (W) x 863.6 (D) x 990.6 (H)

We reserve the right to change specifications and product design without notice. Such revisions do not entitle the buyer to corresponding changes, improvements, additions or replacements for previously purchased equipment.

Rev. 05/2026 Printed in U.S.A. 11100 E. 45th Avenue • Denver, CO 80239 • Phone: 1.866.PURE.ICE • www.iceomatic.com

