

EC Series Enclosed Mobile Cabinets

ITEM NO. _____

QUANTITY NO. _____

JOB NO. _____

SPEC NO. _____



EC1840-C

SPECIFICATIONS:

- Stores and transport goods—retards dehydration!
- Constructed of all welded, reinforced, non-insulated aluminum. Sanitary and rustproof.
- Double pan construction with reinforced braces, 1½" (38 mm) spacing between runners.
- Maneuvers easily on four 5" Polyurethane, swivel plate, double ball race casters.

OPTIONS:

Specify options by adding suffix to Model Numbers.

LC Locking Casters

LD Clear Acrylic Door

PP Prison Package - With non-removable hinges and holes in latch for padlock.

Lifetime Guarantee
Against Rust or Corrosion on
All Aluminum Products.

Full and Half Size Units!



EC1816-C

EC1824-C

EC1840-C

LABORATORY CERTIFICATION AND APPROVAL
SYMBOLS:



439 Oak Street • Garden City, NY 11530 • Tel: 1-800-444-3595 • Fax: 516-222-0371
www.winholt.com • sales@winholt.com

NEW YORK • GEORGIA • TEXAS • CALIFORNIA

EC Series Enclosed Mobile Cabinets

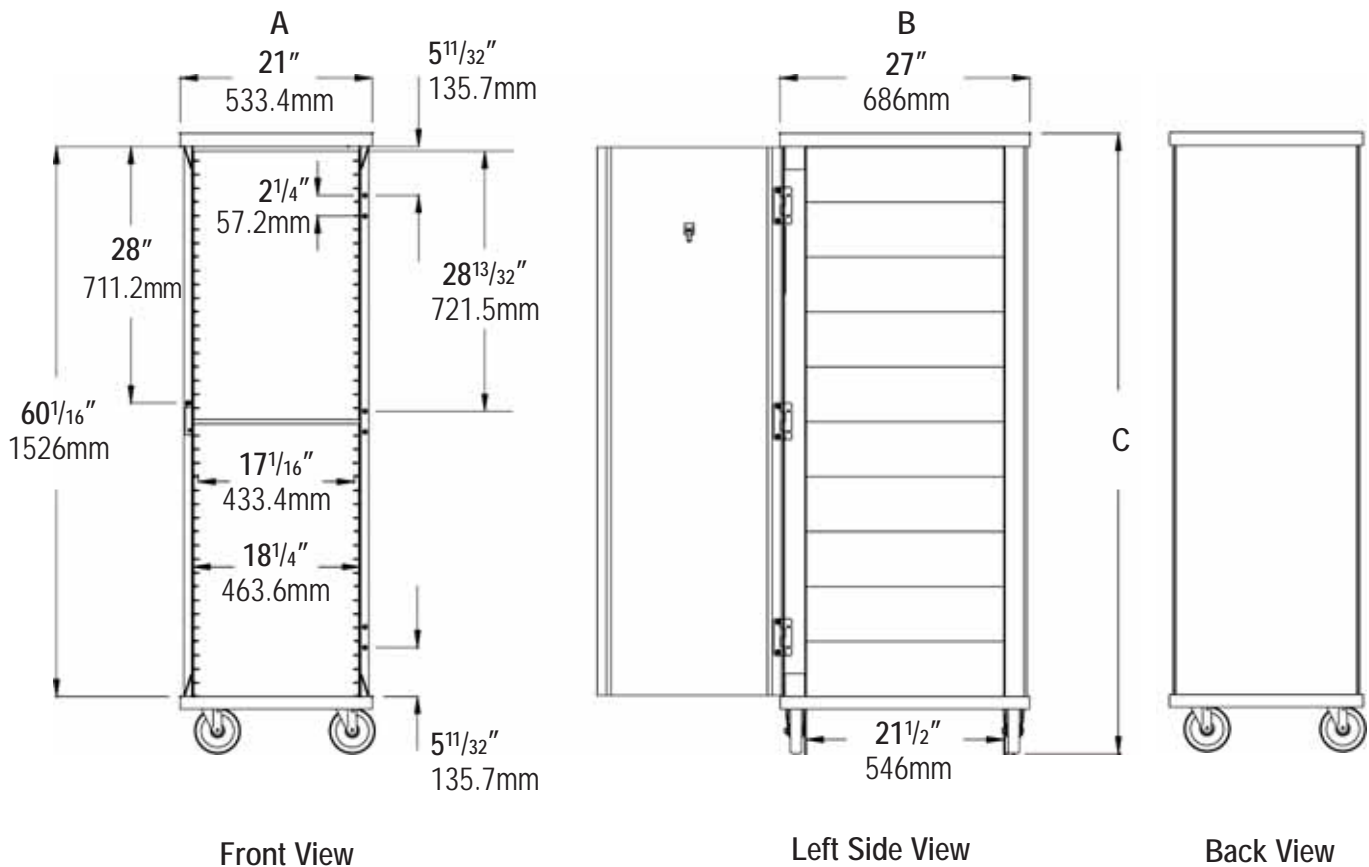
ITEM NO. _____

JOB NO. _____

SPEC NO. _____

EC Series Enclosed Mobile Cabinets

EC Series Enclosed Mobile Cabinets



Front View

Left Side View

Back View

EXPRESS

Model Number	Ordering Number	Overall Dimensions						Pan Capacity	Approx. Ship Weight	
		Width		Length		Height			18"x26"	(kg)
		(in)	(mm)	(in)	(mm)	(in)	(mm)			
EC1816-C	110795	21	533	27	686	32	813	16	70	32
EC1824-C	110824					44	1,118	24	80	36
EC1832-C	110832					56	1,422	32	100	45
EC1840-C	110841					68	1,727	40	110	50
With Clear Acrylic Door										
EC1840-C / LD	150375	21	533	27	686	68	1,727	40	115	52
Replacement Caster Information										
738A	128784	Swivel Plate Caster with 5" Polyurethane Wheel							—	
7112	122180	5" Polyurethane Wheel							—	

Freight Class: 125

Win-Holt Equipment Group is a leading manufacturer of material & food handling equipment. Since 1946, retailers and restaurant chains have trusted Win-Holt's equipment to ensure increased productivity and efficiency in their operation. Multiple locations reduce logistics and transportation costs. All Win-Holt associates are dedicated to customer satisfaction.

For general sales and engineering information only. All units are subject to change without notice. Please consult factory for certified specifications.

439 Oak Street • Garden City, NY 11530 • Tel: 1-800-444-3595 • Fax: 516-222-0371
 www.winholt.com • sales@winholt.com

NEW YORK • GEORGIA • TEXAS • CALIFORNIA