

## Ultra Pan Carriers®

### Top Loading

For GN Food Pans  
Models UPC100, UPC140



### Features & Benefits

- Rugged and dependable, these Ultra Pan Carriers provide an exact fit for a wide variety of GN Full and Fractional size Food Pans.
- Create a wide variety of service configurations for food transporting using Cambro's GN Fractional Food Pans and 12" (32,5 cm) Divider Bars. Easily transforms these Ultra Pan Carriers into a mini food bar, salad bar or condiment station!
- GN 1/1 Full Size Food Pan capacity:
  - Model UPC100 – 3 each 2 1/2" (6,5 cm) deep
    - 2 each 4" (10 cm) deep
    - or 1 each 8" (20 cm) deep
  - Model UPC140 – 1 each 4" (10 cm) deep
- One-piece seamless, double-wall, high-density polyethylene construction is durable, lightweight and dishwasher safe. Textured exterior is scratch resistant.
- Polyurethane foam insulation helps to ensure excellent food temperature retention, hot or cold.
- Self venting design helps equalize pressure and release steam.
- Four durable nylon latches and an airtight gasket ensure excellent temperature holding performance. Latches will not rust and gasket removes for complete cleaning.
- Easy to load and unload. Simply remove food pans using finger notches.
- Molded-in handles on all four sides provides a comfortable grip for easy transporting. (UPC100 has two top molded-in handles.)
- Unique interlock design on the bottom and top corners ensures secure stacking for more efficient transportation and storage. Also stacks with Camcarriers®. (Model UPC100 does not stack with other models.)
- Optional Camdollies™ offer easy transporting.
- Non-electrical.
- No assembly required.
- Available in 7 colors for quick food content identification and inventory control at-a-glance.

Item No. \_\_\_\_\_

Specifier Identification No. \_\_\_\_\_

Model No. \_\_\_\_\_

Quantity \_\_\_\_\_



UPC100



UPC140



**GN Food Pan configuration includes:**

- One 1/2 Size Food Pan
- Two 1/4 Size Food Pans
- One DIV12 Divider Bar



**GN Food Pan configuration includes:**

- Six 1/6 Size Food Pans
- Two DIV12 Divider Bar

**Ultra pan Carriers Keep Hot Food Hot for Hours!**

185.7°F (85,4°C)	179.5°F (81,9°C)	175°F (79,4°C)	171°F (77,2°C)	167.1°F (75°C)
Starting Temperature	1 hr.	2 hrs.	3 hrs.	4 hrs.

**Ultra pan Carriers Keep Cold Food Cold for Hours!**

33.5°F (0,8°C)	35.2°F (1,8°C)	35.6°F (2°C)	36.6°F (2,5°C)	37.1°F (2,8°C)
Starting Temperature	1 hr.	2 hrs.	3 hrs.	4 hrs.

### Approvals



# Ultra Pan Carriers®

## Top Loading

For GN Food Pans

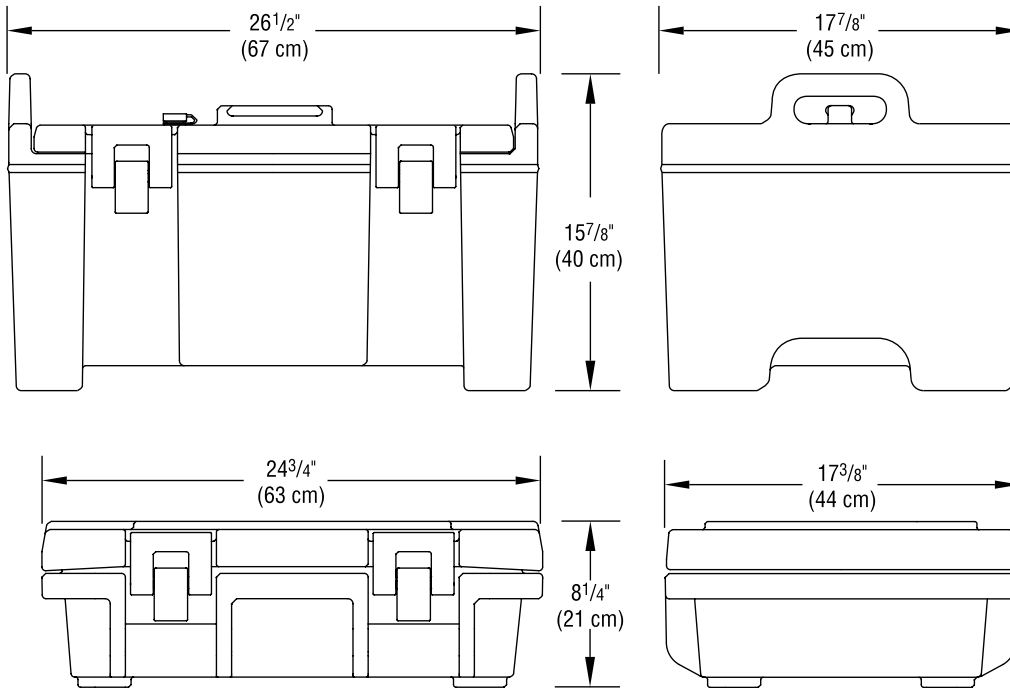
Models UPC100, UPC140

Item No. \_\_\_\_\_

Specifier Identification No. \_\_\_\_\_

Model No. \_\_\_\_\_

Quantity \_\_\_\_\_



## Specifications

Dimension Tolerance: +/- 1/4" (0,64 cm)

Code	Description	Approx. Capacity	Exterior Dimensions L x W x H	Case lbs./cube Kg/m <sup>3</sup>
UPC100	Ultra Pan Carrier	24 qts. (22,7 L)	26 3/4" x 17 7/8" x 15 7/8" (67 x 45 x 40 cm)	29.75 (4.63) 13,51 (0,13)
UPC140	Ultra Pan Carrier	12.3 qts. (11,6 L)	24 3/4" x 17 3/8" x 8 1/4" (63 x 44 x 21 cm)	18.5 (2.2) 8,4 (0,062)

## Optional Accessories

### Divider Bar

- DIV12
- White (148)
- Clear (135)

### Camdolly®

- CD100 for UPC100
- CD100H for UPC100
- CD100HB for UPC100
- CD160 for UPC140

## Standard Colors

- Slate Blue (401)
- Black (110)
- Granite Sand (194)
- Coffee Beige (157)
- Granite Gray (191)
- Dark Brown (131)
- Granite Green (192)

## Architect Specs

The portable non-electrical hot and cold GN food pan transport carriers shall be an Ultra Pan Carrier, Models..., manufactured by Cambro Mfg. Co., Huntington Beach, CA 92647 U.S.A. It shall be made of one-piece, seamless, double-wall, high-density polyethylene and foam-injected polyurethane. It shall have a passive vent that helps equalize pressure and release steam. It shall have an airtight gasket that is easily removable for cleaning. It shall transport GN Full Size and Fractional Size Food Pans with the use of 12" (32,5 cm) Divider Bars. It shall have four durable, nylon over-center latches. It shall have four E-Z grip molded-in handles on the sides. It shall be available with a unique interlock design on the bottom and top corners to provide secure stacking for transport and storage. It shall stack with Camcarriers (except the UPC100). It shall require no assembly and shall be available in 7 colors.

## Approvals



**CAMBRO**  
www.cambro.com

© Cambro Manufacturing Company 5801 Skylab Road, Huntington Beach, CA 92647-2056, U.S.A.

Telephone 714 848 1555  
LIT1437 REV A

Toll Free 800 854 7631  
Printed in U.S.A.

Customer Service Department 800 833 3003