



# Pro Cart Ultra® Pan Carrier, Electric, Dual Compartment, Insulated Food Holding Cabinet

## Holds GN Food Pans

**110V Models:** PCU800HH, PCU800HC, PCU800CC, PCU800PP, PCU1000HH, PCU1000HC, PCU1000CC, PCU1000PP, PCU2000HH, PCU2000HC, PCU2000CC, PCU2000PP

**Alternate Voltage Models:** Country code to be added to any part # 3 – US/CANADA (220V), 4 – EUROPE, 5 – UK, 6 – AUSTRALIA, 7 – SOUTH AFRICA, 8 – JAPAN (100V), 9 - CHINA

### Features & Benefits

- Unique and versatile, heavy duty holding and transport carts are designed to electrically and/or passively hold hot food and/or cold food simultaneously in one cart.
- Tough, durable polyethylene exterior stays cool to the touch and will never dent, crack, chip or rust.
- Thick CFC-free polyurethane insulation throughout the cart ensures food is held at safe temperatures up to 4 hours in passive units.
- Active hot or cold modules, as well as passive modules are also sold separately and can be quickly changed out to adapt to menu changes or operational needs.
- Heavy-duty, gasket-free, self venting doors open 270 (degrees) to the side, flush to the cart. Doors have a magnetic quick close feature and two each durable nylon latches. Door and body come with heavy-duty, high-gauge reinforced hinge hardware.
- Solar digital door thermometer provides internal compartment temperature at-a-glance.
- Molded-in rails hold GN food pans with front load configuration (PCU800, PCU1000) and side load configuration (PCU2000).
- Two ergonomic vertical molded-in rear handles run the entire height of the cart.
- PCU800 and PCU1000 come standard with all nylon, maintenance-free casters 6" x 1.5" (15 x 3,8 cm) 2 front swivel with brake, 2 rigid in back.
- PCU2000 comes standard with heavy duty, hi-modulus rubber casters, 6" x 2" (15 x 5 cm) 2 front swivel with brake, 2 rigid in back. Lock pin on front casters can be used to convert swivel to rigid.
- Heating module features a touchscreen control with adjustable temperature setting from 70°F – 185°F (21°C – 85°C).
- Cooling module features simple input control with an adjustable setting from 32.5°F – 41°F (0,28°C – 5°C).
- Both heating and cooling modules feature actual temperature reading, temperature set-point and can easily be switched from °F to °C.

Project \_\_\_\_\_

Item No. \_\_\_\_\_

Model No. \_\_\_\_\_

Quantity \_\_\_\_\_



PCU1000

### Electrical Specifications (Per Compartment)

	HOT MODULE	COLD MODULE
<b>REQUIRED VOLTAGE</b>	100-230 VAC	100-230 VAC
<b>AMPS</b>	4.43a @ 115v 2.22a @ 220v	3.26a @ 115v 1.42a @ 230v
<b>WATTS</b>	507w @ 115v 510w @ 230v	326.6w @ 115v 326.6w @ 230v
<b>HERTZ</b>	50/60	50/60
<b>PHASE</b>	Single	Single
<b>PLUG BODY FOR THESE COUNTRIES</b>	US, Canada, Mexico, China, Europe, UK, Ireland, Australia, South Africa, Japan	

\* If country is not listed, please call Cambro Customer Service for details.

### Total Capacity

Code	Description	GN FOOD PAN DEPTHS			
		2 1/2" (6,5 cm)	4" (10 cm)	6" (15 cm)	8" (20 cm)
PCU800	GN 1/1	12	8	6	4
	GN 1/2	24	16	12	8
	GN 1/3	36	24	18	12
PCU1000	GN 1/1	14	10	6	4
	GN 1/2	28	20	12	8
	GN 1/3	36	24	18	12
PCU2000	GN 1/1	28	20	12	8
	GN 1/2	–	–	–	–
	GN 1/3	–	–	–	–
	GN 2/1	14	10	6	4

### Approvals



Information and specifications are subject to change without notice. Please confirm at time of order.  
 © Cambro Manufacturing Company 5801 Skylab Road, Huntington Beach, California 92647-2056-U.S.A.  
**Telephone** 714 848 1555      **Toll Free** 800 854 7631      **Customer Service** 800 833 3003  
 Printed in USA. 01/23

# Pro Cart Ultra® Pan Carrier, Electric, Dual Compartment, Insulated Food Holding Cabinet

Project \_\_\_\_\_

Item No. \_\_\_\_\_

Model No. \_\_\_\_\_

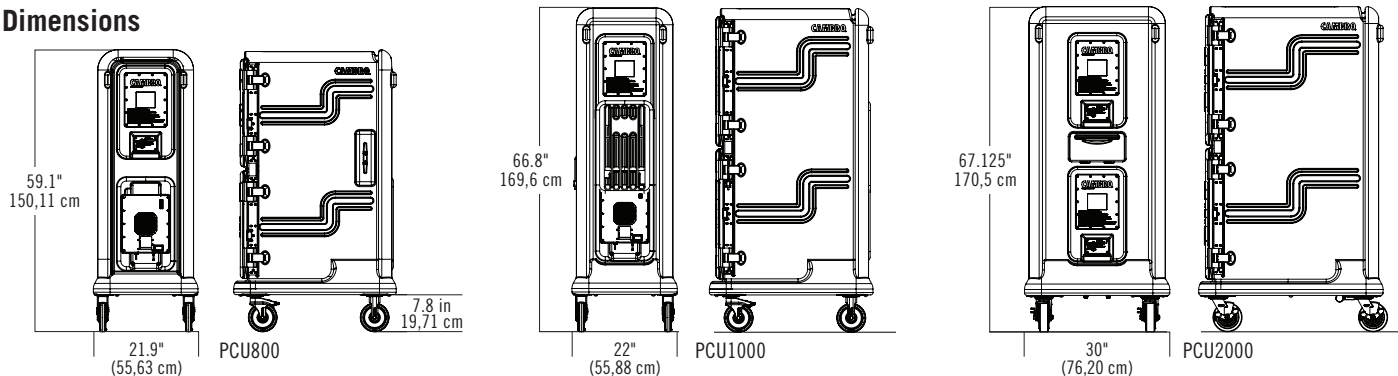
Quantity \_\_\_\_\_

## Holds GN Food Pans

**110V Models:** PCU800HH, PCU800HC, PCU800CC, PCU800PP, PCU1000HH, PCU1000HC, PCU1000CC, PCU1000PP, PCU2000HH, PCU2000HC, PCU2000CC, PCU2000PP

**Alternate Voltage Models:** Country code to be added to any part # 3 – US/CANADA (220V), 4 – EUROPE, 5 – UK, 6 – AUSTRALIA, 7 – SOUTH AFRICA, 8 – JAPAN (100V), 9 – CHINA

## Dimensions



CODE	DESCRIPTION	DIMENSIONS W x D x H	PRODUCT WEIGHT (LBS/KG)
<b>PCU800</b>			
PCU800HH	2 active hot compartments	21.9" x 34" x 59.1" (55,63 x 86,36 x 150,1 cm)	101.94 / 46,24
PCU800HC	1 active hot compartment (top), 1 active cold compartment (bottom)		110.69 / 50,21
PCU800CC	2 active cold compartments		119.44 / 54,18
PCU800PP	2 passive compartments		89.88 / 40,77
<b>PCU1000</b>			
PCU1000HH	2 active hot compartments	22" x 34" x 66.8" (55,88 x 86,36 x 170,18 cm)	143.5 / 65,1
PCU1000HC	1 active hot compartment (top), 1 active cold compartment (bottom)		152.25 / 69,06
PCU1000CC	2 active cold compartments		161 / 73,03
PCU1000PP	2 passive compartments		131.44 / 60
<b>PCU2000</b>			
PCU2000HH	2 active hot compartments	30" x 38" x 67.125" (76,20 x 96,52 x 172,72 cm)	189.94 / 86,16
PCU2000HC	1 active hot compartment (top), 1 active cold compartment (bottom)		198.69 / 90,12
PCU2000CC	2 active cold compartments		207.44 / 94,1
PCU2000PP	2 passive compartments		177.88 / 80,69
<b>Modules</b>			
PCMCX	Cold Module	—	20.72 / 9,42
PCMHX	Hot Module	—	11.97 / 5,44
PCMPX	Passive Module	—	5.95 / 2,7

**Case Pack:** 1 **Color:** Charcoal Gray (615). Other configurations and Security Package available. Tow Hitch Package Available for PCU2000 Only.

## Architect Specs

The holding and transport carts shall be the Pro Cart Ultra Pan Carriers, all models starting with PCU, manufactured by Cambro Mfg. Co., Huntington Beach, CA 92647 USA. They shall be made of double wall, high-density, polyethylene and foam-injected CFC-free polyurethane. They shall have molded in rails for end loading GN food pans (PCU1000, PCU800) and side loading GN food pans (PCU2000). They shall be offered with electric hot, electric cold or passive modules. Electric hot compartments shall have an energy efficient 507W (110V units) / 510W (230V units) heating module with touchscreen controls and adjustable temperature range of 70 - 185°F (21 - 85°C). The heating module shall heat the compartment from ambient temperature to 165°F (73,9°C) in 15 minutes. Electric cooling compartments shall have a solid state thermoelectric 509W (110V units) cooling module with an

adjustable temperature range from 32.5 - 70°F (.28 - 21°C). Each hot or cold module shall have a 9' (2,7m), single phase power cord with cord storage in the body of the cart. Each door shall have 2 each nylon paddle-style latches, and each compartment shall have heavy-duty stainless steel hinge hardware. Each PCU1000 and PCU800 shall have 4 each 6"x1.5" (15,2 x 3,81cm) nylon, maintenance-free casters, 2 swivel total locking and 2 rigid. Each PCU2000 shall have 4 each 6"x2" (15,2 x 5cm) hi-modulus, rubber casters, 2 each swivel with brake and 2 rigid. All carts shall be available in one color - Charcoal Gray (615)

**Standard Colors** Charcoal Gray (615)

**CAMBRO**  
TRUSTED FOR GENERATIONS™  
www.cambro.com

Information and specifications are subject to change without notice. Please confirm at time of order.  
© Cambro Manufacturing Company 5801 Skylab Road, Huntington Beach, California 92647-2056-U.S.A.  
**Telephone** 714 848 1555 **Toll Free** 800 854 7631 **Customer Service** 800 833 3003  
Printed in USA. 01/23

## Approvals

